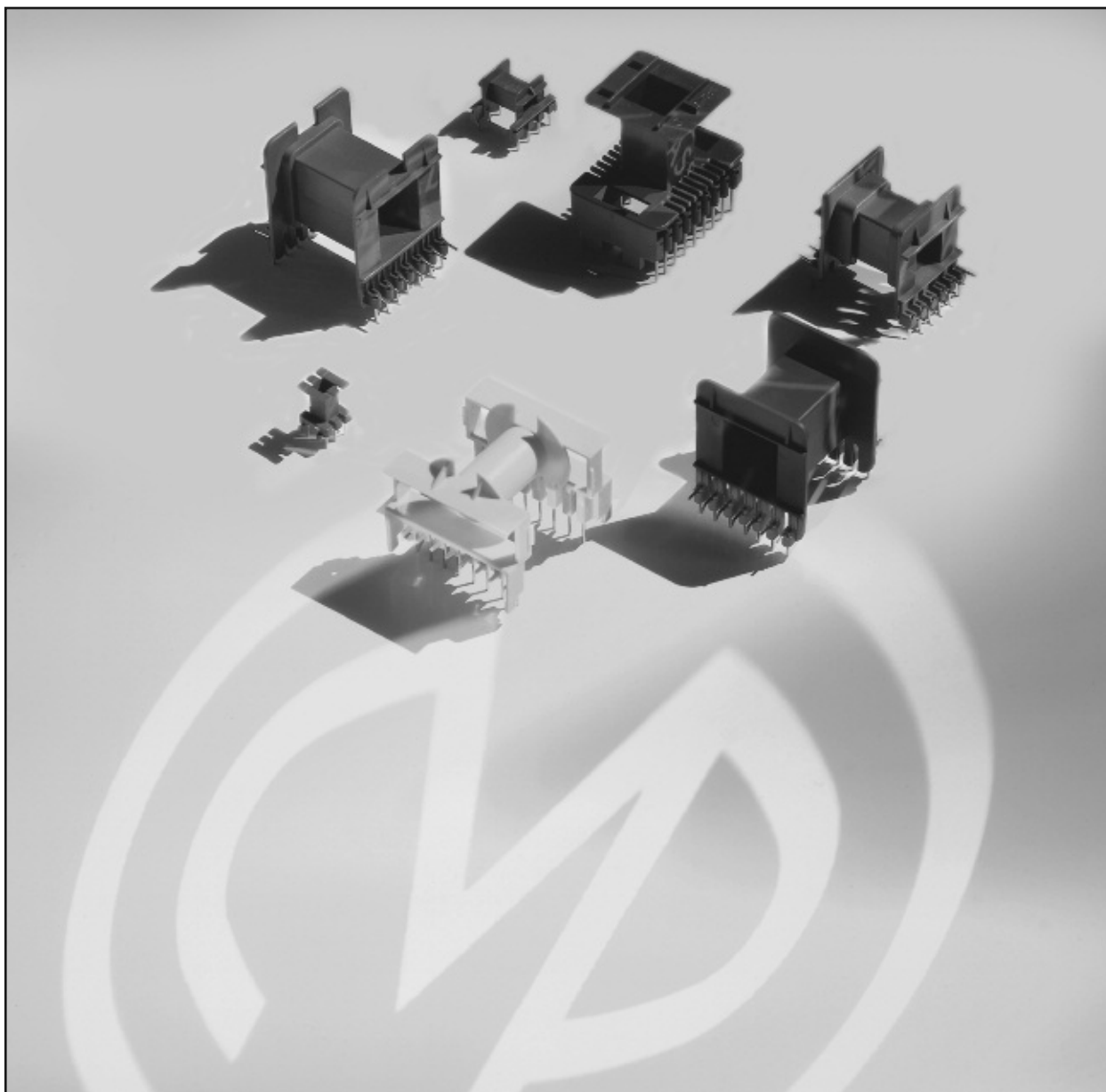




FERRITE CORE COIL BOBBINS

MILES · PLATTS

- New phenolic material range introduced
- Designed to satisfy International Safety Standards
- New designs of the ETD and PQ styles introduced
- Offered in a range of High performance polymers
- Terminals mounted at the base of two cheek ends
- Many lines available from stock



Section 6

Miles Platts terminals & wire pins are lead-free - all polymers meet the REACH and RoHS directive (2002/95/EC). Please refer to www.milesplatts.co.uk for details.



UL RECOGNISED
MOULDER - E176491

Section 6

1



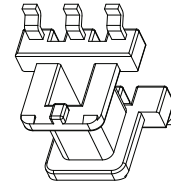
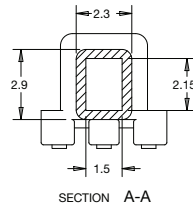
E/EE/EF Ferrite Core Coil Bobbins

MILES · PLATTS

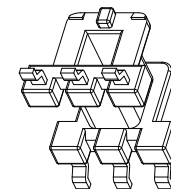
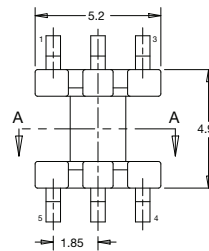
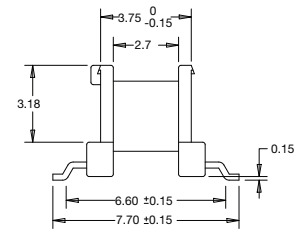
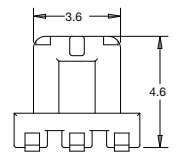
EE 5



EE05H1S06GS-00

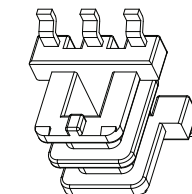
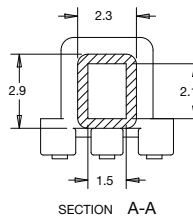


Coil Former	
Coil former material	Phenolformaldehyde (PF), glass reinforced, flame retardant in accordance with "UL 94V-0"; UL file number E54705 (M)
Resistance to soldering heat	"IEC 60068-2-20", Part 2, Test Tb, method 1B, 350 deg. C, 3.5 s
Pin material	0.25 x 0.6 Phosphor bronze - Tin (Sn) plated
Solderability	"IEC 60068-2-20", Part 2, Test Ta, method 1, 235 deg. C, 2 s
Pin pull out force	1.0 Kg Minimum
Part number	EE05H1S06GS-00

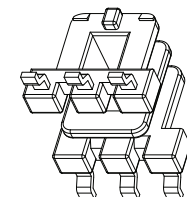
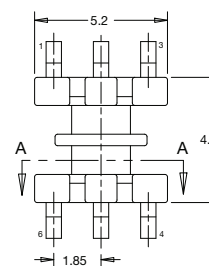
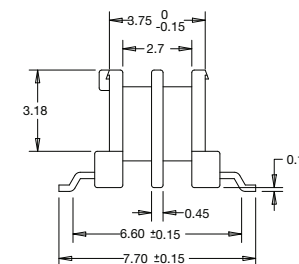
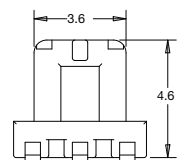


Dimensions in millimetres

EE 5

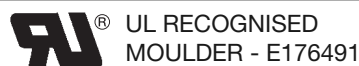


Coil Former	
Coil former material	Liquid crystal polymer (LCP), glass reinforced, flame retardant in accordance with "UL 94V-0"; UL file number E54705 (M)
Resistance to soldering heat	"IEC 60068-2-20", Part 2, Test Tb, method 1B, 350 deg. C, 3.5 s
Pin material	0.25 x 0.6 Phosphor bronze - Tin (Sn) plated
Solderability	"IEC 60068-2-20", Part 2, Test Ta, method 1, 235 deg. C, 2 s
Pin pull out force	1.5 Kg Minimum
Part number	EE05H2S06GP-00



Dimensions in millimetres

For further technical information please contact sales
Tel: +44 (0) 116 264 3850 Fax: +44 (0) 116 264 3851
Email: enquiries@milesplatts.co.uk
Web: www.milesplatts.co.uk



Section 6

2

Section 6



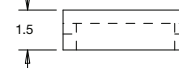
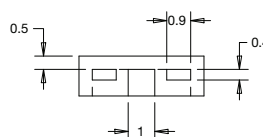
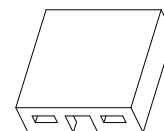
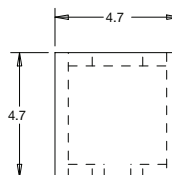
E/EE/EF Ferrite Core Coil Bobbins

MILES · PLATTS

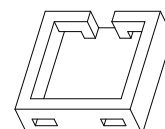
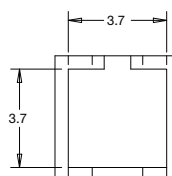
EE 5



EE05HCOVERP-00



Cover	
Material	Liquid crystal polymer (LCP), glass reinforced, flame retardant in accordance with "UL 94V-0"; UL file number E54705 (M)
Part number	EE05HCOVERP-00

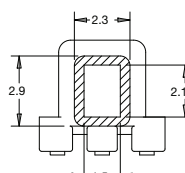


Dimensions in millimetres

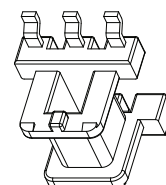
EE 5



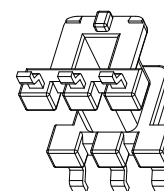
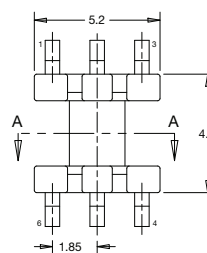
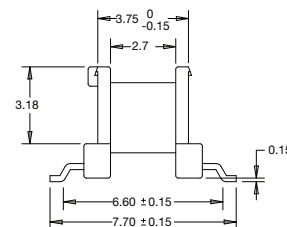
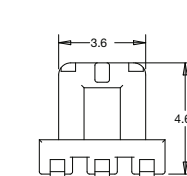
EE05H1S06GP-00



SECTION A-A

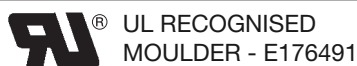


Coil Former	
Coil former material	Liquid crystal polymer (LCP), glass reinforced, flame retardant in accordance with "UL 94V-0"; UL file number E54705 (M)
Resistance to soldering heat	"IEC 60068-2-20", Part 2, Test Tb, method 1B, 350 deg. C, 3.5 s
Pin material	0.25 x 0.6 Phosphor bronze - Tin (Sn) plated
Solderability	"IEC 60068-2-20", Part 2, Test Ta, method 1, 235 deg. C, 2 s
Pin pull out force	1.5 Kg Minimum
Part number	EE05H1S06GP-00



Dimensions in millimetres

Most products are available direct from stock with same day despatch - please contact sales for details



Section 6

3

Section 6



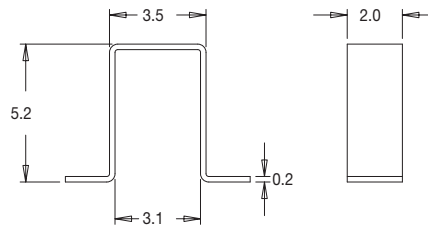
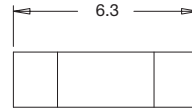
E/EE/EF Ferrite Core Coil Bobbins

MILES · PLATTS

EE 5



EE05CLIPM-02



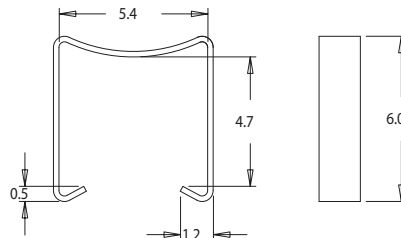
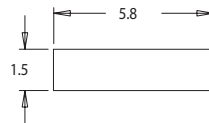
Mounting clip	
Clip material	Phosphor bronze
Part No.	EE05CLIPM-02

Dimensions in millimetres

EE 5



EE05CLIPM-01



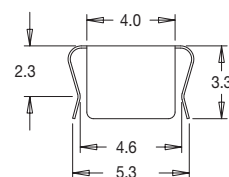
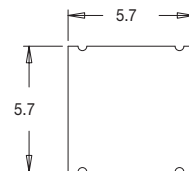
Mounting clip	
Clip material	Steel
Part No.	EE05CLIPM-01

Dimensions in millimetres

EE 5



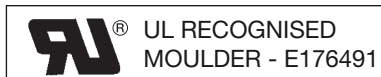
EE05CLIPM-00



Mounting clip / cover	
Clip material	Steel
Part No.	EE05CLIPM-00

Dimensions in millimetres

For further technical information please contact sales
 Tel: +44 (0) 116 264 3850 Fax: +44 (0) 116 264 3851
 Email: enquiries@milesplatts.co.uk
 Web: www.milesplatts.co.uk





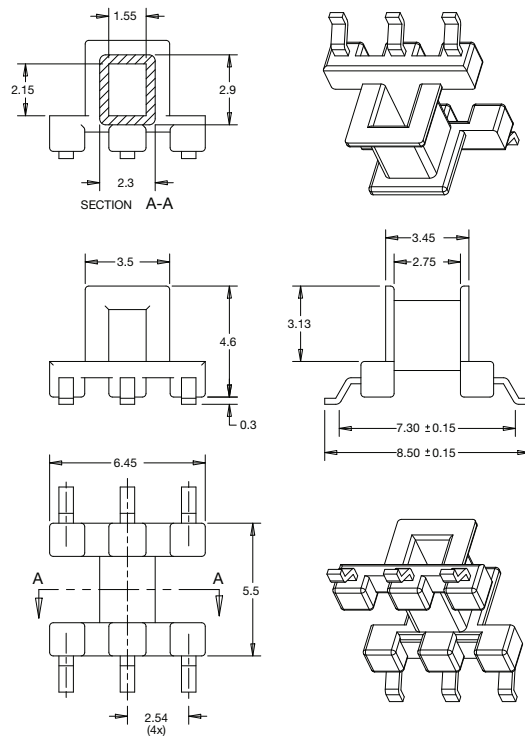
E/EE/EF Ferrite Core Coil Bobbins

MILES · PLATTS

EE 6.3

Coil Former	
Coil former material	Phenolformaldehyde (PF), glass reinforced, flame retardant in accordance with "UL 94V-0"; UL file number E41429 (M)
Resistance to soldering heat	"IEC 60068-2-20", Part 2, Test Tb, method 1B, 350 deg. C, 3.5 s
Pin material	0.25 x 0.60 Phosphor bronze - Tin (Sn) plated
Solderability	"IEC 60068-2-20", Part 2, Test Ta, method 1, 235 deg. C, 2 s
Pin pull out force	1.5 Kg Minimum
Part number	EE06H1S06GS-00

Dimensions in millimetres



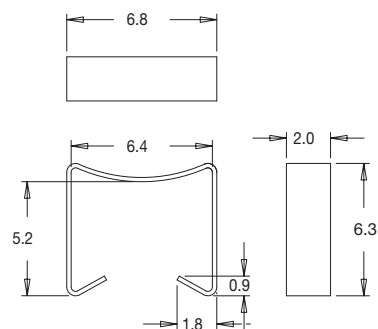
EE 6.3



EE06CLIPM-01

Mounting clip	
Clip material	Steel
Part No.	EE06CLIPM-01

Dimensions in millimetres

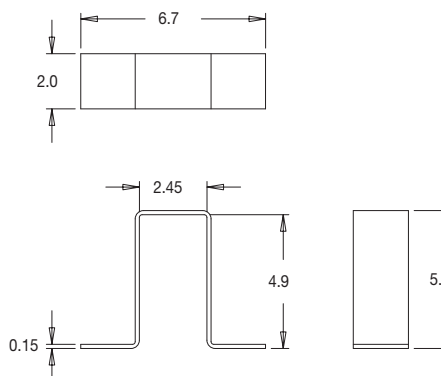




EE 6.3



EE06CLIPM-02



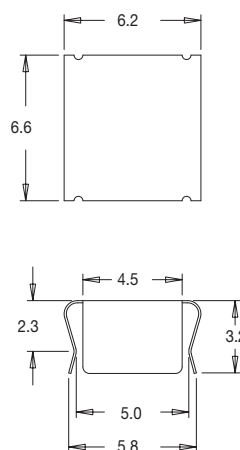
Mounting clip	
Clip material	Steel
Part No.	EE06CLIPM-02

Dimensions in millimetres

EE 6.3



EE06CLIPM-00



Mounting clip / cover	
Clip material	Steel
Part No.	EE06CLIPM-00

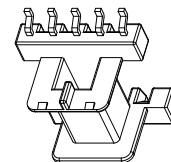
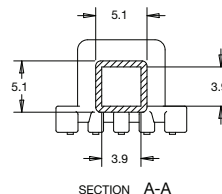
Dimensions in millimetres



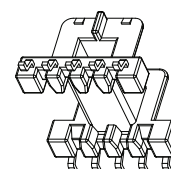
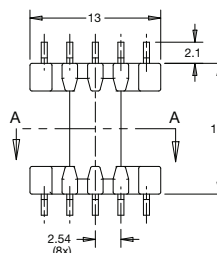
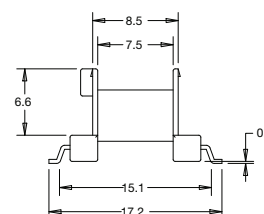
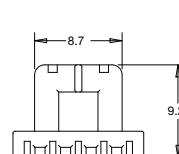
E/EE/EF Ferrite Core Coil Bobbins

MILES · PLATTS

EF 12.6

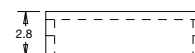
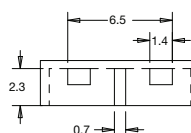
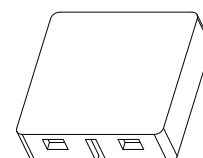
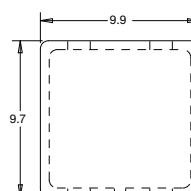


Coil Former	
Coil former material	Phenolformaldehyde (PF), glass reinforced, flame retardant in accordance with "UL 94V-0"; UL file number E41429 (M)
Resistance to soldering heat	"IEC 60068-2-20", Part 2, Test Tb, method 1B, 350 deg. C, 3.5 s
Pin material	0.4 x 0.6 Phosphor bronze - Tin (Sn) plated
Solderability	"IEC 60068-2-20", Part 2, Test Ta, method 1, 235 deg. C, 2 s
Pin pull out force	1.5 Kg Minimum
Part number	EF12H1S10GS-00

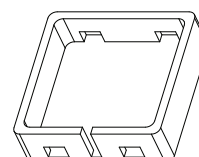
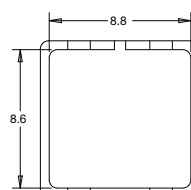


Dimensions in millimetres

EF 12.6



Cover	
Material	Liquid crystal polymer (LCP), glass reinforced, flame retardant in accordance with "UL 94V-0"; UL file number E123598 (M)
Part number	EF12HCOVERP-00



Dimensions in millimetres

Miles-Platts are technical moulders - we manufacture more than bobbins - please contact sales for details



Section 6

7

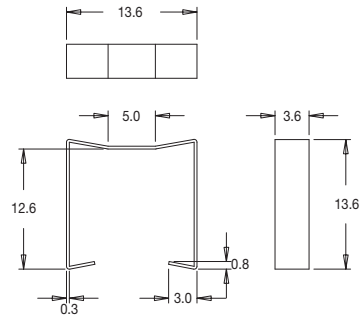
Section 6



EF 12.6



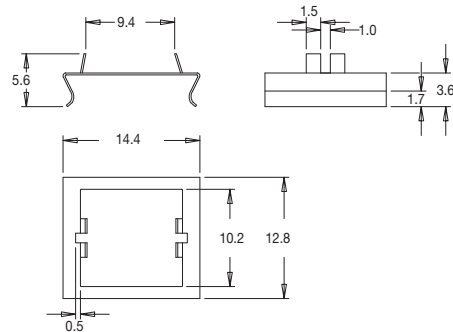
EF12CLIPM-00



Mounting clip	
Clip material	Steel
Part No.	EF12CLIPM-00

Dimensions in millimetres

EF 12.6

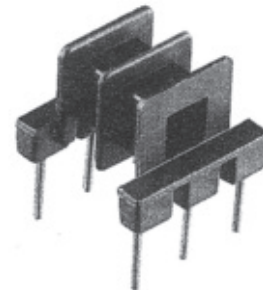
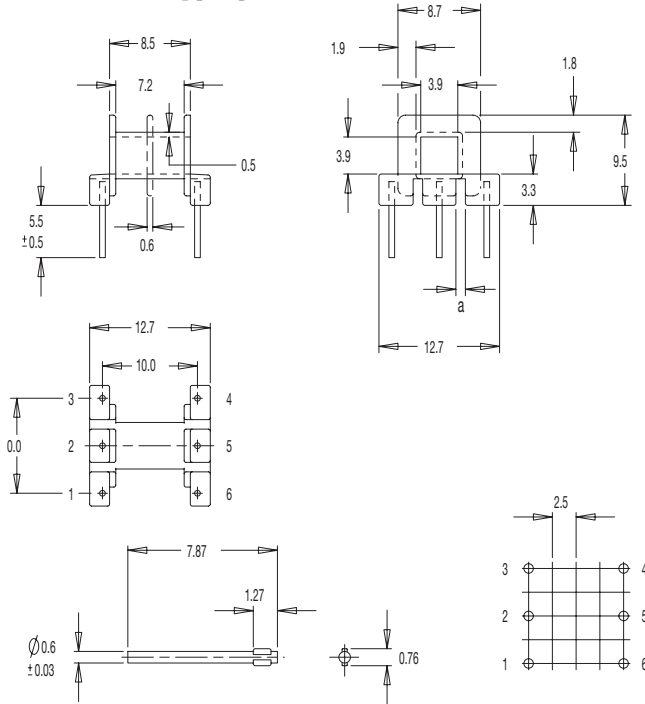


Mounting Cover	
Clip material	Steel
Clip plating	Tin (Sn)
Solderability	"IEC 60 068-2 20,Part 2,Test Ta,method 1
Pin pull out force	1.5 Kg Minimum
Part number	EF12COVERM-00

Dimensions in millimetres



EF 12.6/7/4

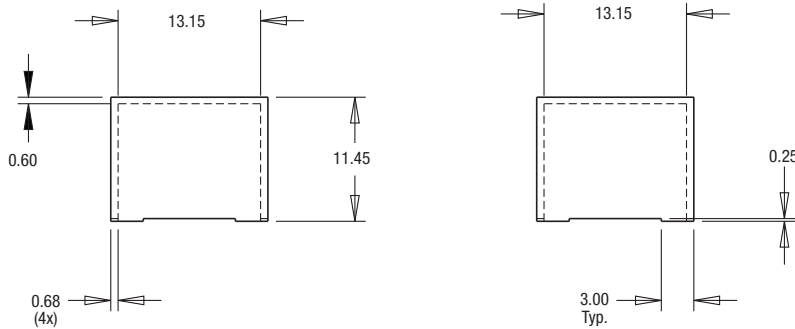


Pin: TNS 024-310

Bobbin size	Type	No. of pins available	Pin size	a	Part No.
EF 12.6/7/4	SS	6 (2 x 3)	Ø0.6	1.0	FE0010
EF 12.6/7/4	DS	6 (2 x 3)	Ø0.6	1.0	FE0011
EF 12.6/7/4	DS	6 (2 x 3)	Ø0.6	2.5	FE0055
EF 12.6/7/4	SS	6 (2 x 3)	0.45sq		FE0012

Standard materials: Nylon 66 glass reinforced /
Nylon 66 glass reinforced to UL94V0
Pin material: Nickel Silver Dimensions in millimetres

EF 12.6 Box



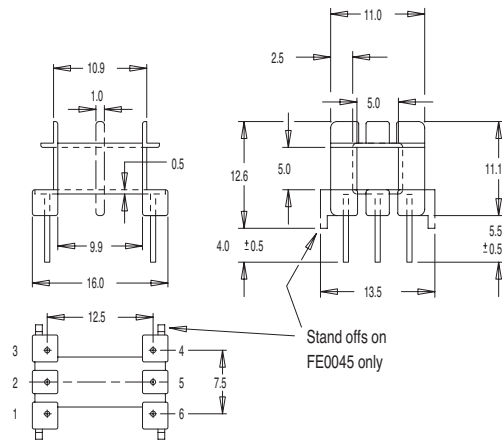
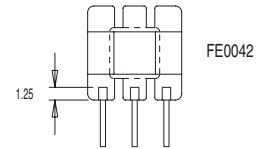
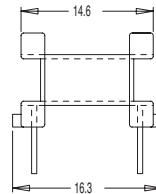
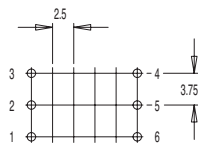
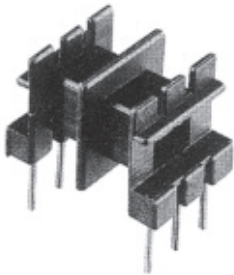
Description	Part No.
EF 12.6 Box	FE0020

Standard materials: Nylon 66 glass reinforced to
UL94HB/Nylon 66 glass reinforced to UL94V0

Dimensions in millimetres



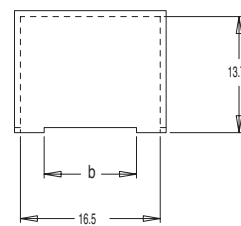
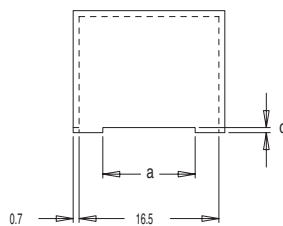
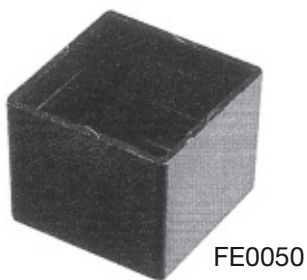
EF 16/8/5 HORIZONTAL



Bobbin size	Type/Description	No. of pins available	Pin size	Part No.
EF 16/8/5	SS	6 (2 x 3)	Ø0.61	FE0040
EF 16/8/5	DS	6 (2 x 3)	Ø0.61	FE0041
EF 16/8/5	SS With pegs	6 (2 x 3)	Ø0.61	FE0042
EF 16/8/5	DS With s/off's	6 (2 x 3)	Ø0.61	FE0045

Standard materials: Nylon 66 glass reinforced to UL94HB / Nylon 66 glass reinforced to UL94V0
Pin material: Nickel Silver. Dimensions in millimetres

EF 16 BOX



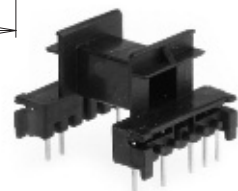
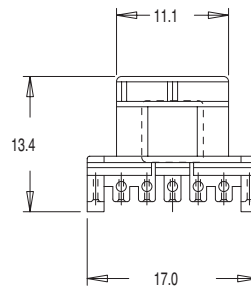
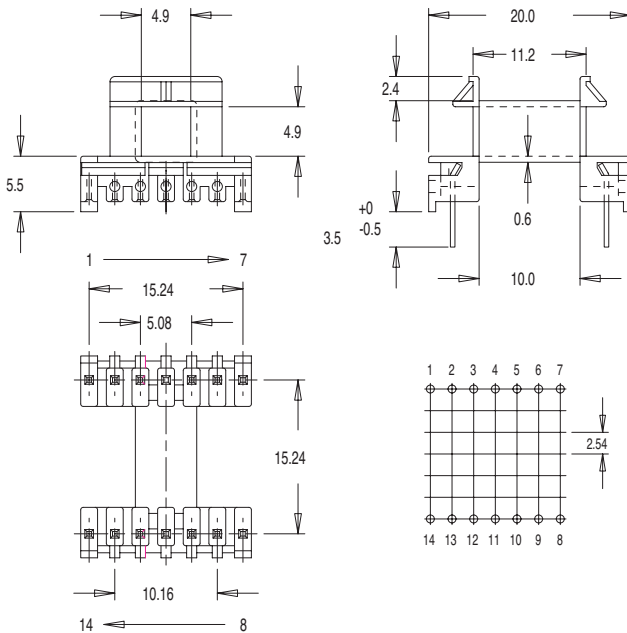
FE0051

Description	a	b	c	Part No.
EF 16 Box	-	-	-	FE0050
EF 16 Box With legs	10.9	10.9	0.6	FE0051

Standard materials: FE0050 Nylon 66 glass reinforced to UL94HB / Nylon 66 glass reinforced to UL94V0, FE0051 Nylon 66 / Nylon 66 to UL94V0
Dimensions in millimetres



EF 16/8/5 HORIZONTAL (14-pin)

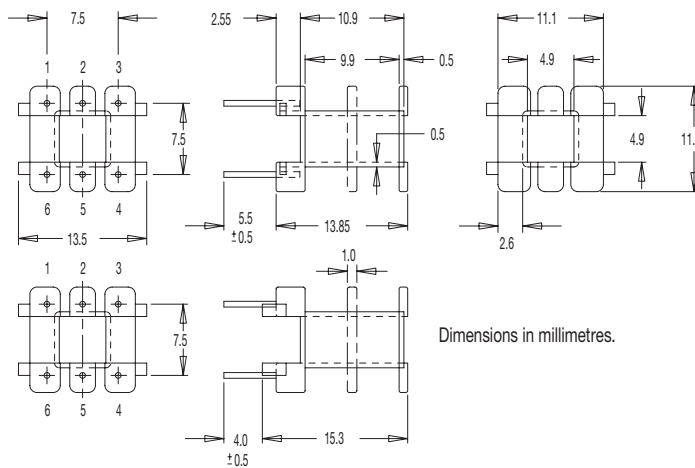


FE0047

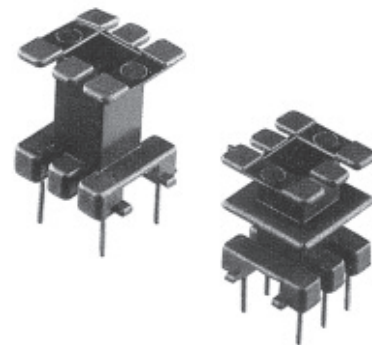
Bobbin size	Type	No. of pins available	Pin size	Part No.
EF 16/8/5	SS	14 (2 x 7)	0.45 Sq.	FE0047

Standard materials: Nylon 46 glass reinforced to UL94V0
Pin material: Phosphor Bronze Dimensions in millimetres

EF 16/8/5/ VERTICAL



Dimensions in millimetres.



Bobbin size	Type/Description	No. of pins available	Pin size	Part No.
EF 16/8/5	SS	6 (2 x 3)	Ø0.6	FE0030
EF 16/8/5	SS With stand offs	6 (2 x 3)	Ø0.6	FE0031
EF 16/8/5	DS	6 (2 x 3)	Ø0.6	FE0032
EF 16/8/5	DS With stand offs	6 (2 x 3)	Ø0.6	FE0033

Standard materials: Nylon 66 glass reinforced to UL94HB / Nylon 66 glass reinforced to UL94V0
Pin material: Nickel Silver Dimensions in millimetres



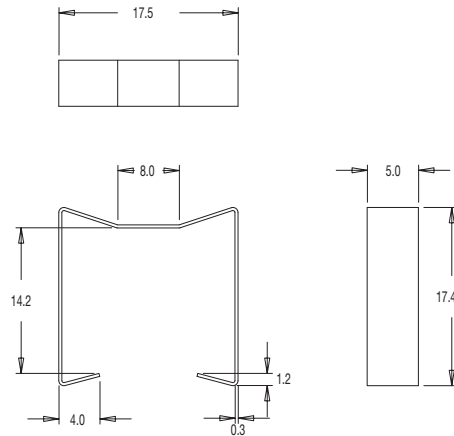
E/EE/EF Ferrite Core Coil Bobbins

MILES · PLATTS

EF 16



EF16CLIPM-00



Mounting clip / cover	
Clip material	Steel
Part No.	EF16CLIPM-00

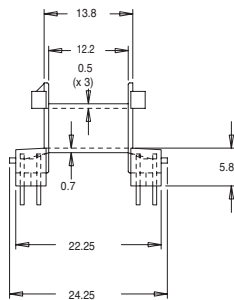
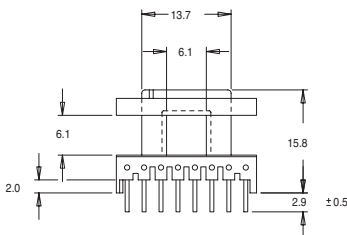
Dimensions in millimetres

E19/8/5

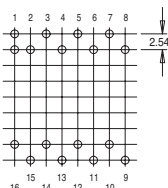
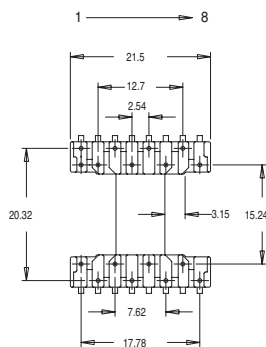
Refer to 218 x 0.200 Section 3 Page 32

Section 6

EF 20 HORIZONTAL (16-pin)



FE0072



Bobbin size	Description	No. of pins available	Pin size	Part No.
EF20	SS	16 (2 x 8)	Ø0.6	FE0072

Standard materials: Nylon 46 glass reinforced to UL94V0
Pin material: Nickel Silver Dimensions in millimetres

For further technical information please contact sales
Tel: +44 (0) 116 264 3850 Fax: +44 (0) 116 264 3851
Email: enquiries@milesplatts.co.uk
Web: www.milesplatts.co.uk

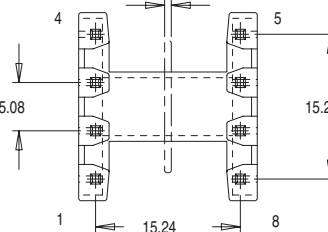
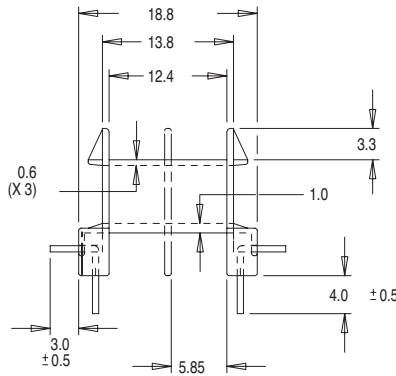
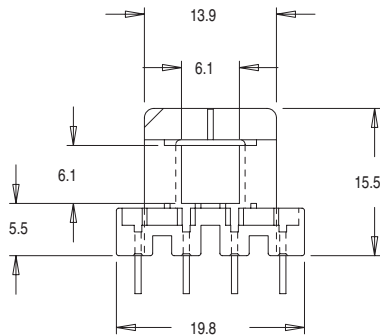


Section 6
12



E/EE/EF Ferrite Core Coil Bobbins MILES · PLATTS

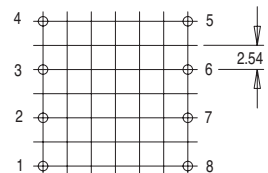
EF 20 HORIZONTAL



FE0065



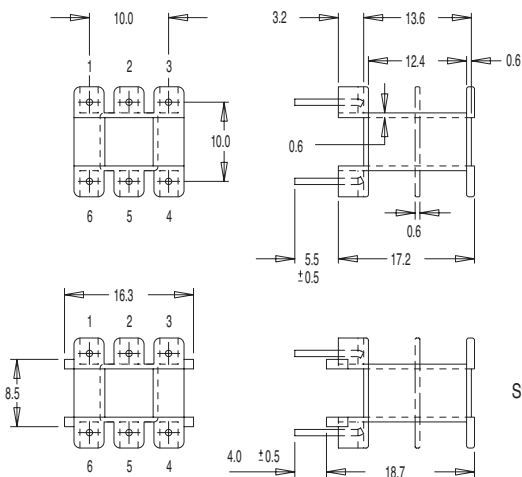
FE0066



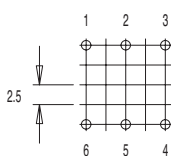
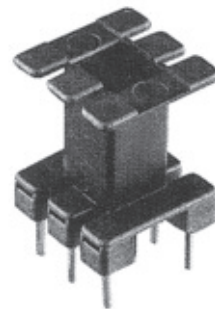
Bobbin size	Type	No. of pins available	Pin type	Part No.
EF 20	SS	8 (2 x 4)	0.635 Sq.	FE0065
EF 20	DS	8 (2 x 4)	0.635 Sq.	FE0066

Standard materials: Nylon 66 glass reinforced to UL94HB / Nylon 66 glass reinforced to UL94V0
Pin material: Phosphor Bronze Dimensions in millimetres

EF 20/10/6 VERTICAL



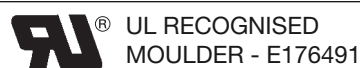
Stand off version



Bobbin size	Type/Description	No. of pins available	Pin size	Part No.
EF 20/10/6	SS	6 (2 x 3)	Ø0.8 or 0.7 Sq.	FE0060
EF 20/10/6	SS with stand offs	6 (2 x 3)	Ø0.8 or 0.7 Sq.	FE0061
EF 20/10/6	DS	6 (2 x 3)	Ø0.8 or 0.7 Sq.	FE0062
EF 20/10/6	DS with stand offs	6 (2 x 3)	Ø0.8 or 0.7 Sq.	FE0063

Standard materials: Nylon 66 glass reinforced / Nylon 66 glass reinforced to UL94V0
Pin material: Phosphor Bronze Dimensions in millimetres

Most products are available direct from stock with same day despatch - please contact sales for details

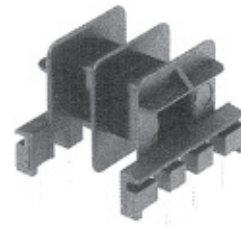
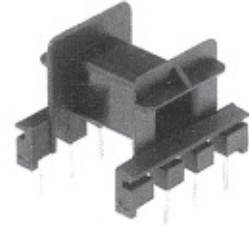
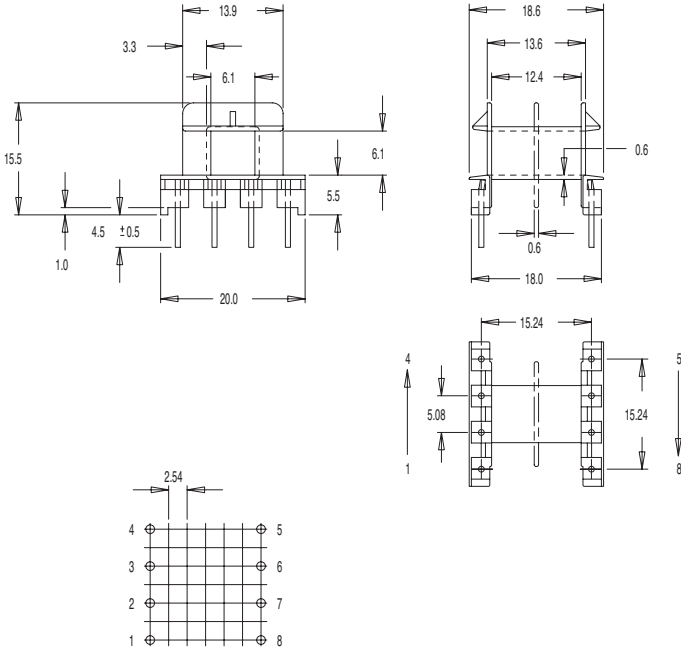




E/EE/EF Ferrite Core Coil Bobbins

MILES · PLATTS

EF 20/10/6 HORIZONTAL



Bobbin size	Type	No. of pins available	Pin size	Part No.
EF 20/10/6	SS	8 (2 x 4)	Ø0.7	FE0070
EF 20/10/6	DS	8 (2 x 4)	Ø0.7	FE0071

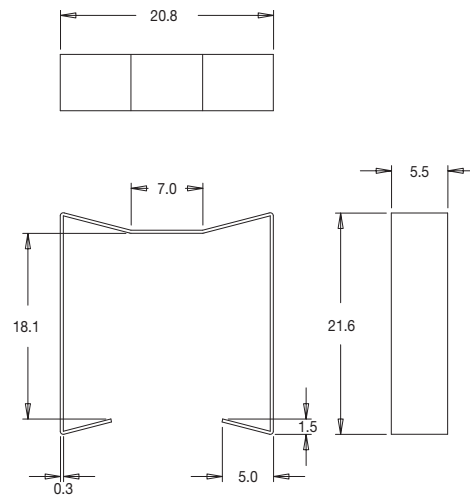
Standard materials: Nylon 66 glass reinforced to UL94HB / Nylon 66 glass reinforced to UL94V0
 Pin material: Ø0.7 Phosphor Bronze.
 Dimensions in millimetres

Section 6

EF 20



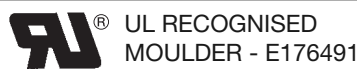
EF20CLIPM-00



Mounting Clip	
Clip material	Steel
Part number	EF20CLIPM-00

Dimensions in millimetres

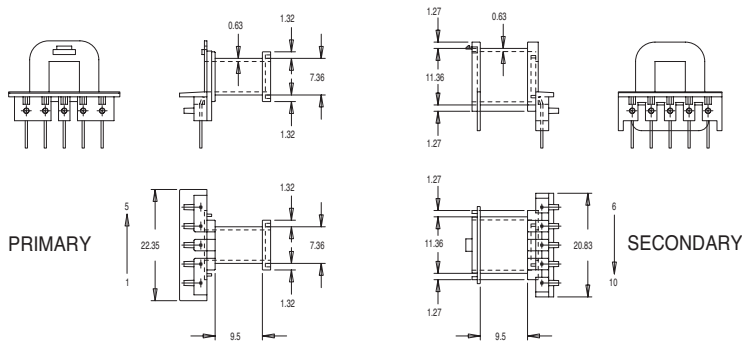
For further technical information please contact sales
 Tel: +44 (0) 116 264 3850 Fax: +44 (0) 116 264 3851
 Email: enquiries@milesplatts.co.uk
 Web: www.milesplatts.co.uk



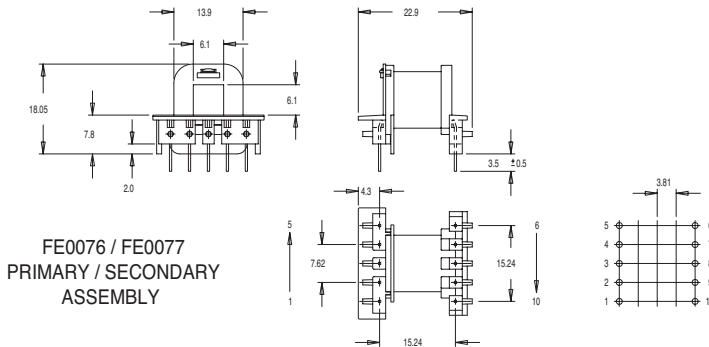
Section 6



EF 20 HORIZONTAL (Primary & Secondary)



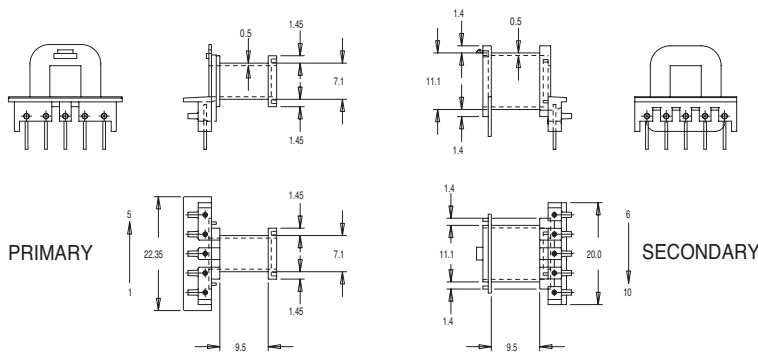
FE0076 & FE0077 Assembly



**FE0076 / FE0077
PRIMARY / SECONDARY
ASSEMBLY**



**FE0076
Primary Bobbin**

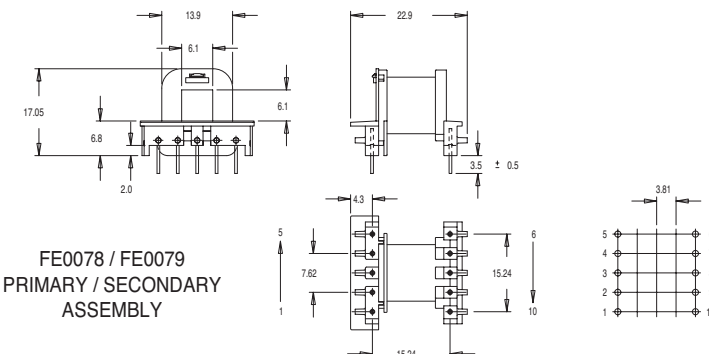


PRIMARY

SECONDARY



**FE0077
Secondary Bobbin**



**FE0078 / FE0079
PRIMARY / SECONDARY
ASSEMBLY**

*See page 12 for 16 pin conventional design EF20 bobbin.

Bobbin size	Description	No. of pins available	Pin size	Part No.
EF 20	Primary	5 (1 x 5)	0.45 Sq.	FE0076
EF 20	Secondary	5 (1 x 5)	0.45 Sq.	FE0077
EF 20	Primary	5 (1 x 5)	0.45 Sq.	FE0078
EF 20	Secondary	5 (1 x 5)	0.45 Sq.	FE0079

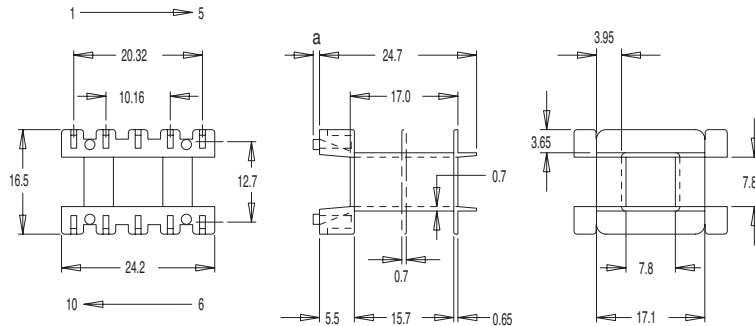
Standard materials: Nylon 46 glass reinforced to UL94V0
Pin material: Phosphor Bronze
Dimensions in millimetres



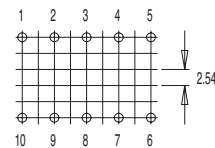
EF 25/13/7 VERTICAL



FE0100

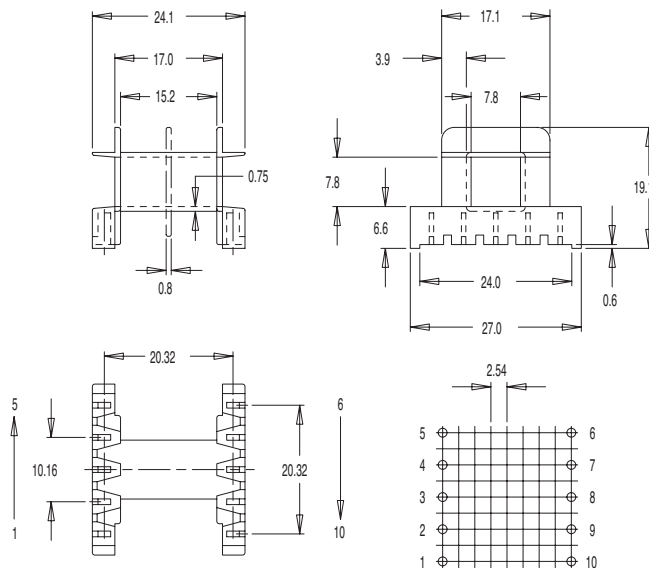
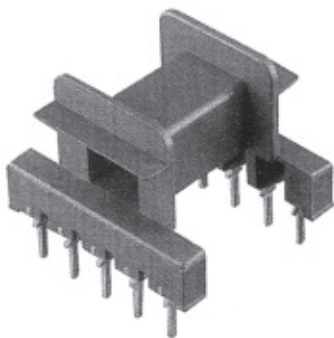


Bobbin size	Type/Description	Terminal type	No. of terminals available	a	Part No.
EF 25/13/7	SS With stand offs	TBS 600 Series	10 (2 x 5)	1.0	FE0100
EF 25/13/7	DS With stand offs	TBS 600 Series	10 (2 x 5)	1.0	FE0101
EF 25/13/7	SS	TBS 600 Series	10 (2 x 5)	-	FE0102
EF 25/13/7	DS	TBS 600 Series	10 (2 x 5)	-	FE0103
EF 25/13/7	SS With barrier stand offs	0.7mm Sq. Wire	10 (2 x 5)	3.1	FE0108*



Standard materials: Nylon 66 glass reinforced to UL94V0 Dimensions in millimetres
 *Contact sales office for drawing - Standard Material Nylon 46 Glass Reinforced to UL94 V0.

EF 25/13/7 HORIZONTAL



Bobbin size	Type	Terminal type	No. of terminals available	Part No.
EF 25/13/7	SS	TBS 600 Series	10 (2 x 5)	FE0110
EF 25/13/7	DS	TBS 600 Series	10 (2 x 5)	FE0111

Standard materials: Nylon 66 glass reinforced to UL94V0 Dimensions in millimetres

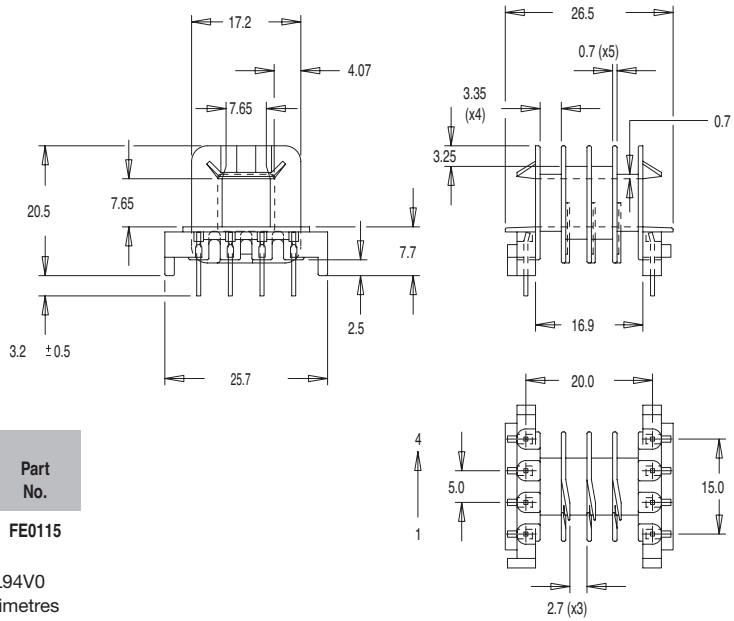
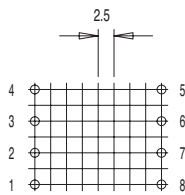


E/EE/EF Ferrite Core Coil Bobbins MILES · PLATTS

EF 25/13/7 HORIZONTAL



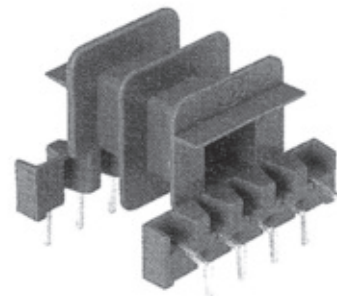
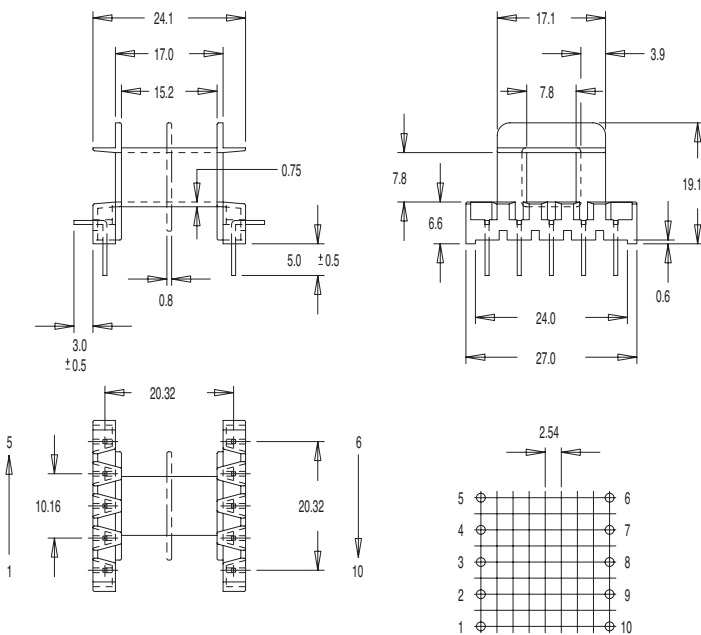
FE0115



Bobbin size	Type	No. of pins available	Pin size	Part No.
EF 25/13/7	4 chamber	8 (2 x 4)	0.635 Sq.	FE0115

Standard materials: Nylon 66 glass reinforced to UL94V0
Pin material: Phosphor Bronze Dimensions in millimetres

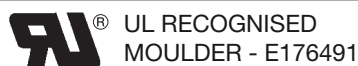
EF 25/13/7 HORIZONTAL



Bobbin size	Type	No. of pins available	Pin size	Part No.
EF 25/13/7	SS	10 (2 x 5)	0.635 Sq.	FE0116
EF 25/13/7	DS	10 (2 x 5)	0.635 Sq.	FE0117

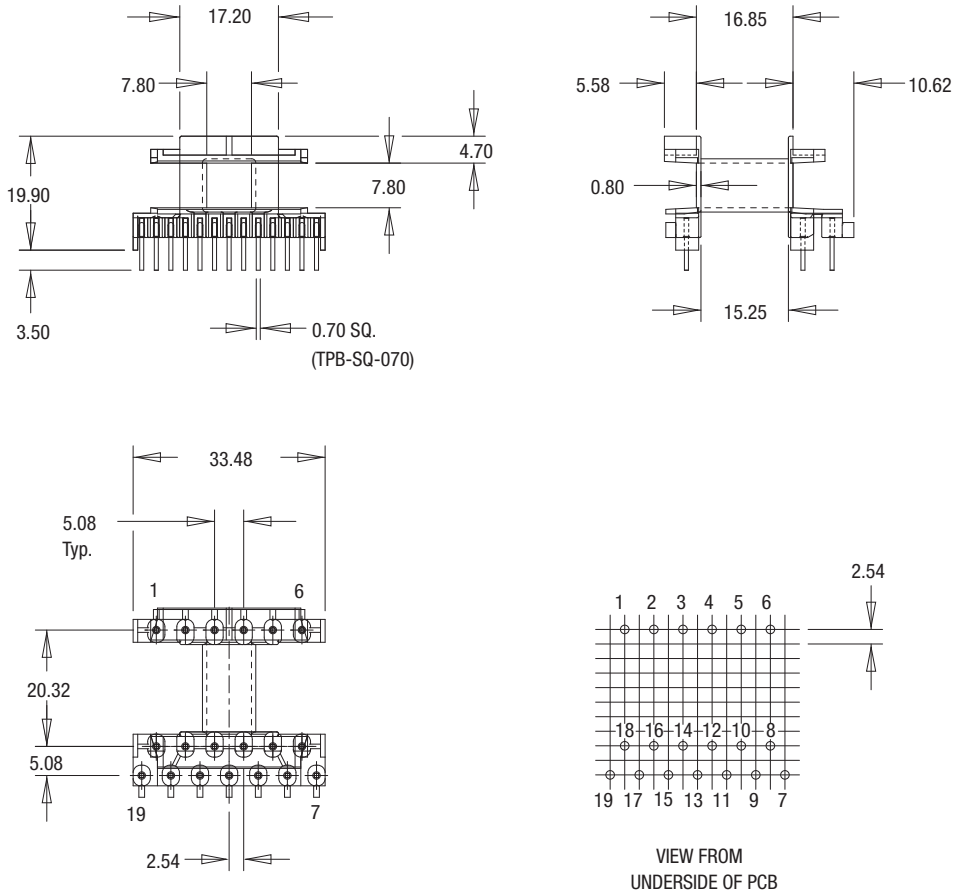
Standard materials: Nylon 66 glass reinforced to UL94V0
Pin material: Phosphor Bronze Dimensions in millimetres

Miles-Platts are technical moulders - we manufacture more than bobbins - please contact sales for details





EF 25/13/7 19 PIN



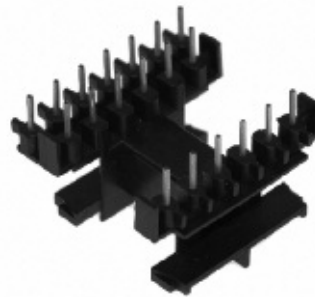
VIEW FROM
UNDERSIDE OF PCB

Section 6

Bobbin Size	Description	No. of Pins Available	Pin Size	Part No.
EF 25/13/7	SS	19	0.7 sq.	FE0090

Standard Material: Nylon 46 glass reinforced to UL94V0.
Pin material: Phosphor Bronze.

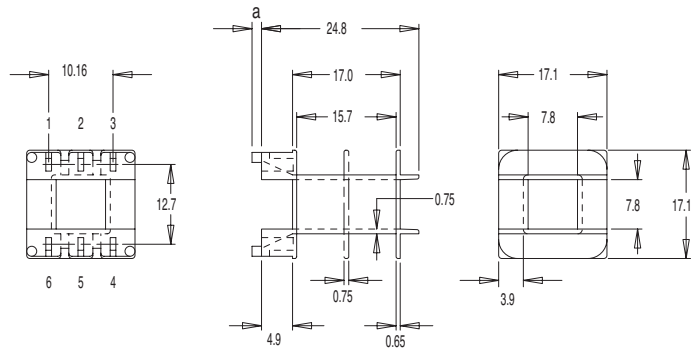
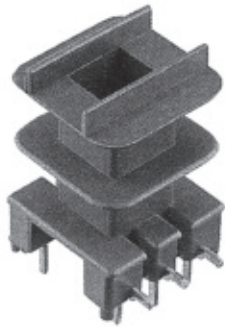
Dimensions in millimetres



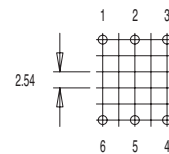
FE0090FSTBLK0001



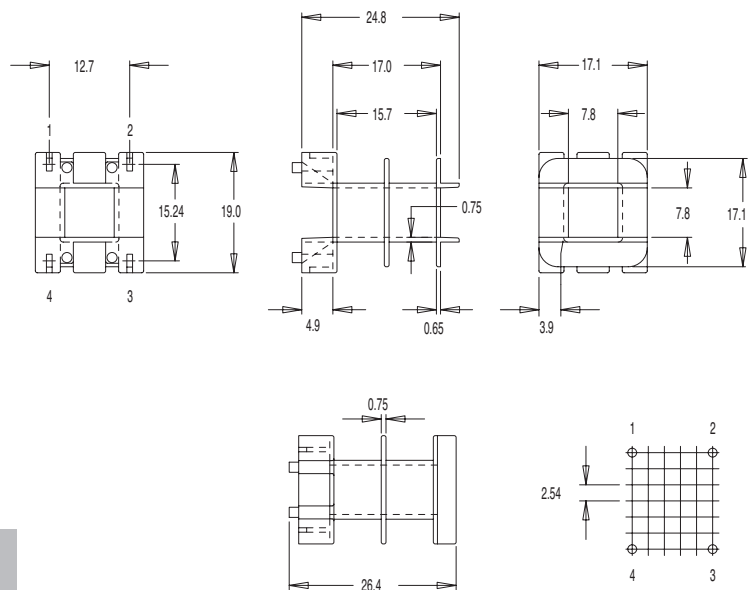
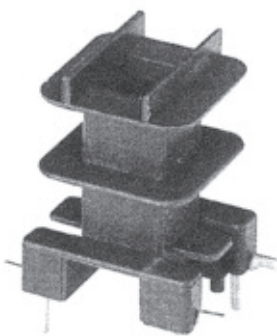
EF 25/13/7 VERTICAL



Bobbin size	Type/Description	Terminal type	No. of terminals available	a	Part No.
EF 25/13/7	SS With stand offs	TBS 600 Series	6 (2 x 3)	1.7	FE0080
EF 25/13/7	DS With stand offs	TBS 600 Series	6 (2 x 3)	1.7	FE0081
EF 25/13/7	SS	TBS 600 Series	6 (2 x 5)	-	FE0082
EF 25/13/7	DS	TBS 600 Series	6 (2 x 5)	-	FE0083



Standard materials: Nylon 66 glass reinforced to UL94V0 Dimensions in millimetres



Bobbin size	Type	Terminal type	No. of terminals available	Part No.
EF 25/13/7	DS	TBS 600 Series	4 (2 x 2)	FE0084

Standard materials: Nylon 66 glass reinforced to UL94V0 Dimensions in millimetres

Most products are available direct from stock with same day despatch - please contact sales for details

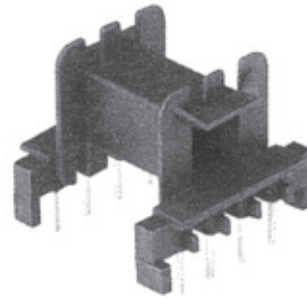
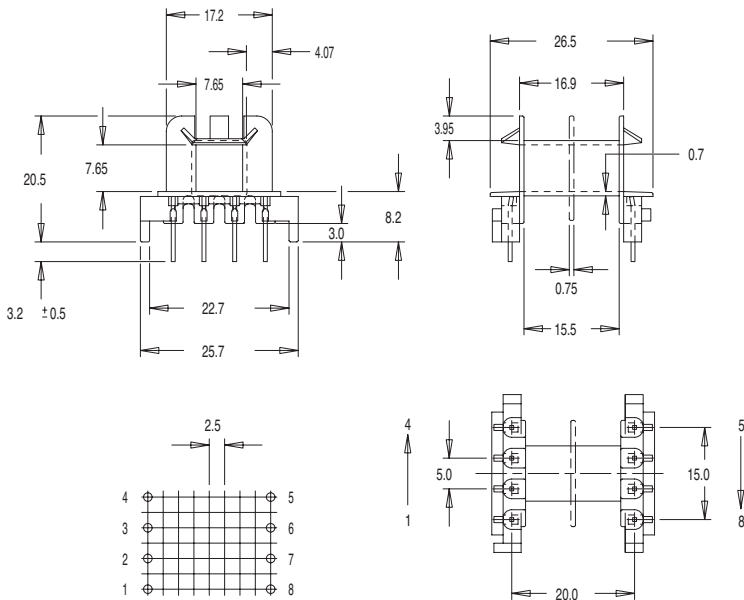




E/EE/EF Ferrite Core Coil Bobbins

MILES · PLATTS

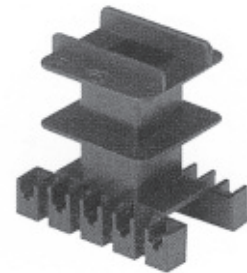
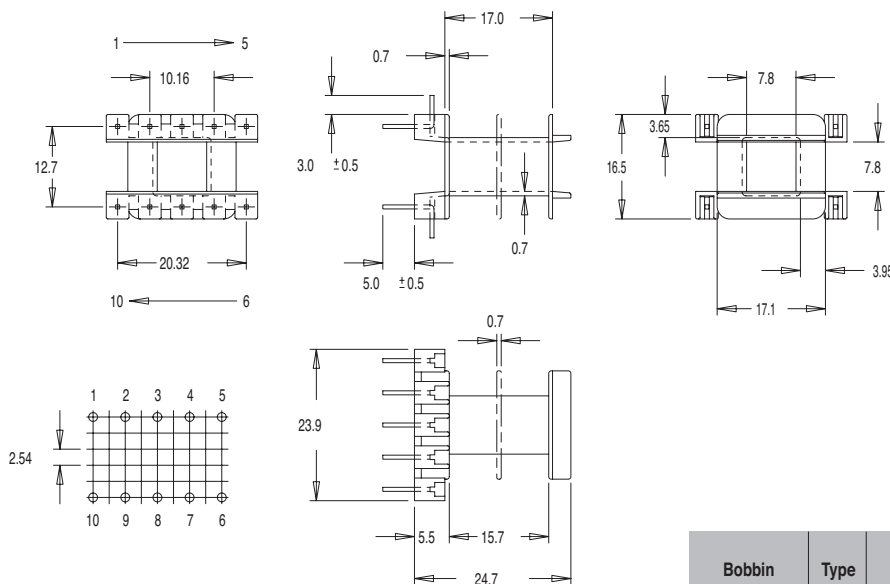
EF 25/13/7 HORIZONTAL



Bobbin size	Type	No. of Pins available	Pin size	Part No.
EF 25/13/7	SS	8 (2 x 4)	0.635 Sq.	FE0118
EF 25/13/7	DS	8 (2 x 4)	0.635 Sq.	FE0119

Standard materials: Nylon 66 glass reinforced to UL94V0
Pin material: Phosphor Bronze Dimensions in millimetres

EF 25/13/7 VERTICAL



Bobbin size	Type	No. of Pins available	Pin size	Part No.
EF 25/13/7	SS	10 (2 x 5)	0.635 Sq.	FE0106
EF 25/13/7	DS	10 (2 x 5)	0.635 Sq.	FE0107

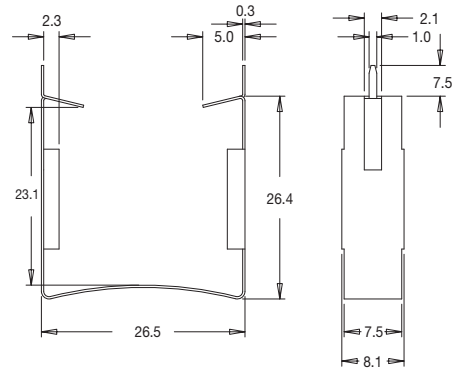
Standard materials: Nylon 66 glass reinforced to UL94V0
Pin material: Phosphor Bronze Dimensions in millimetres

Section 6



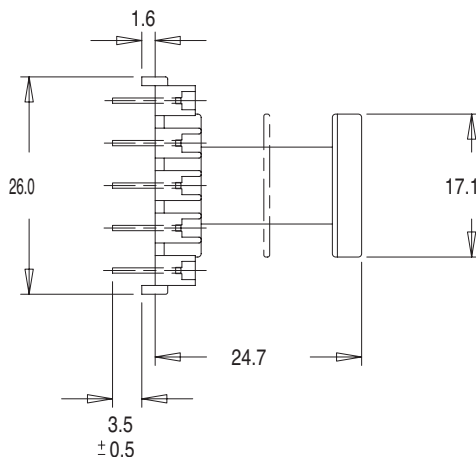
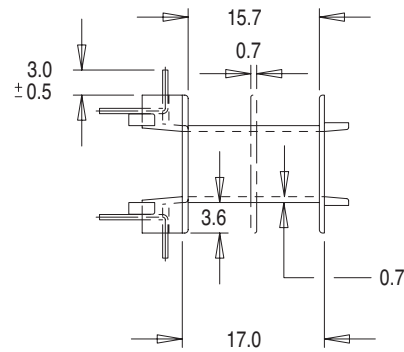
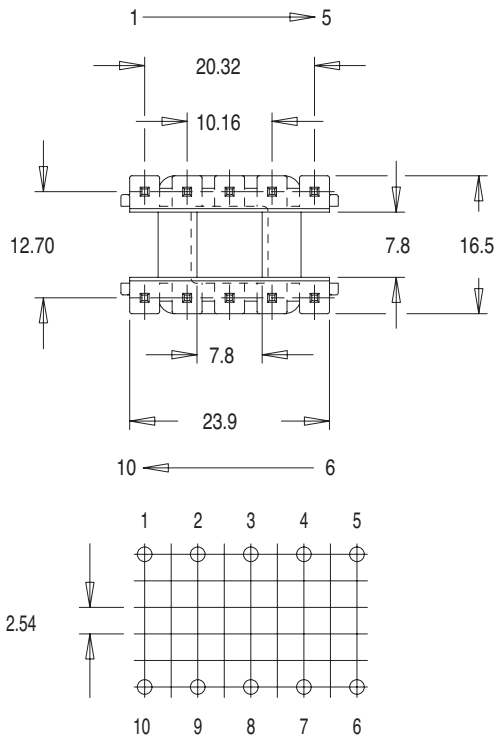
EF 25

Mounting clip with earth pin	
Clip material	Cold rolled high carbon steel strip
Clip plating	Tin (Sn)
Solderability	"IEC 60 068-2 20,Part 2,Test Ta,method 1
Part number	EF25CLIPEM-01



Dimensions in millimetres

EF 25/13/7 VERTICAL



Bobbin size	Type	No. of pins available	Pin size	Part No.
EF 25/13/7	SS	10 (2 x 5)	0.635 Sq.	FE0104
EF 25/13/7	DS	10 (2 x 5)	0.635 Sq.	FE0105

Standard materials: Nylon 66 to glass reinforced to UL94V0. Pin material: Phosphor Bronze. Dimensions in millimetres.

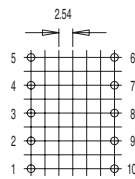
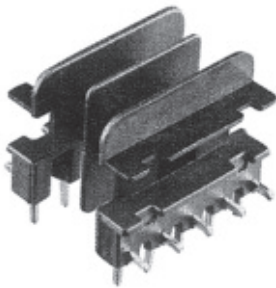
Section 6

E/EE/EF Ferrite Core Coil Bobbins

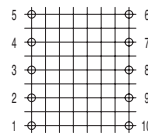


MILES · PLATTS

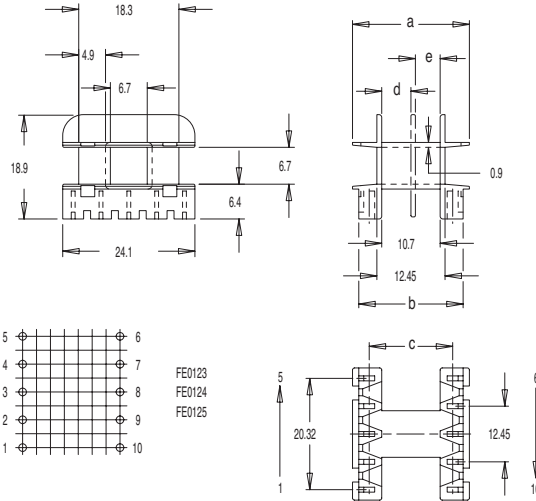
EF 25 X 19 X 6 (F1238)*



FE0120
FE0121
FE0122



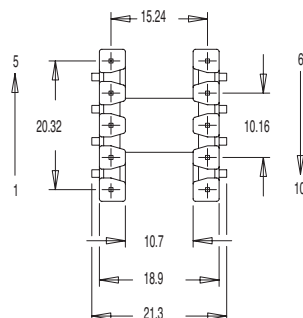
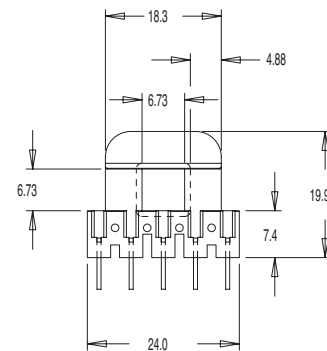
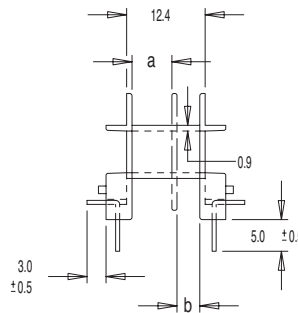
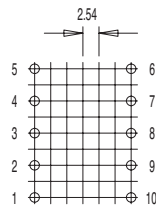
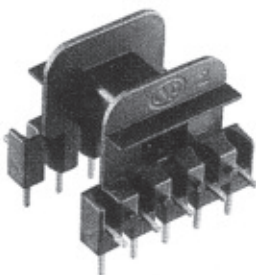
FE0123
FE0124
FE0125



Bobbin size	Type	Terminal type	No. of terminals available	a	b	c	d	e	Part No.
EF 25 x 19 x 6	SS	TBS 600 Series	10 (2 x 5)	21.3	19.0	15.2	-	-	FE0120
EF 25 x 19 x 6	DS	TBS 600 Series	10 (2 x 5)	4.9	4.9	FE0121
EF 25 x 19 x 6	DS	TBS 600 Series	10 (2 x 5)	6.2	3.6	FE0122
EF 25 x 19 x 6	SS	TBS 600 Series	10 (2 x 5)	21.6	21.6	17.8	-	-	FE0123
EF 25 x 19 x 6	DS	TBS 600 Series	10 (2 x 5)	4.9	4.9	FE0124
EF 25 x 19 x 6	DS	TBS 600 Series	10 (2 x 5)	6.2	3.6	FE0125

Standard materials: Nylon 66 glass reinforced to UL94HB / Nylon 66 glass reinforced to UL94V0
Dimensions in millimetres *Accepts 187 & 262 Lamination sizes

E 25 X 19 X 6 (F1238)*



Bobbin size	Type	Pin size	No. of pins available	a	b	Part No.
EF 25 x 19 x 6	SS	0.635 Sq.	10 (2 x 5)	-	-	FE0126
EF 25 x 19 x 6	DS	0.635 Sq.	10 (2 x 5)	4.95	4.95	FE0127
EF 25 x 19 x 6	DS	0.635 Sq.	10 (2 x 5)	6.3	3.6	FE0128

Standard materials: Nylon 66 glass reinforced to UL94HB / Nylon 66 glass reinforced to UL94V0
Pin material: Phosphor Bronze Dimensions in millimetres
*Accepts 187 & 262 Lamination sizes

For further technical information please contact sales
Tel: +44 (0) 116 264 3850 Fax: +44 (0) 116 264 3851
Email: enquiries@milesplatts.co.uk
Web: www.milesplatts.co.uk

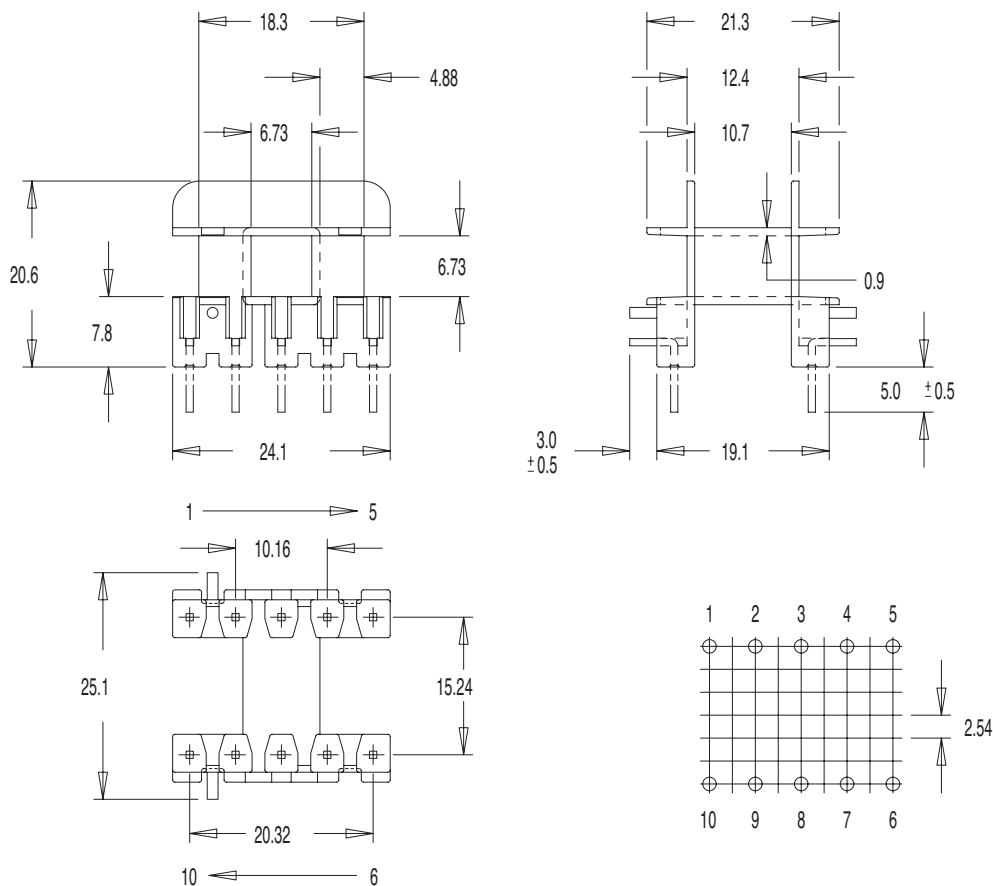
UL® UL RECOGNISED
MOULDER - E176491

Section 6

22



EF 25/19/6 (F1238)



FE0132

Bobbin size	Type	No. of pins available	Pin size	Part No.
E 25/19/6	SS	10 (2 x 5)	0.8 Sq.	FE0132

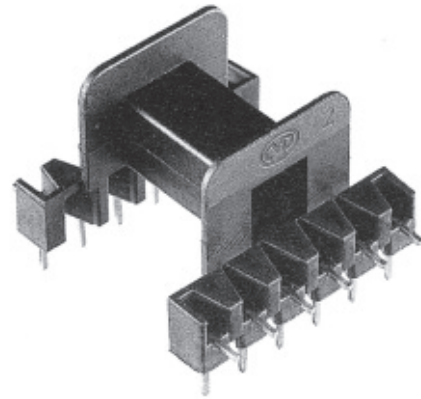
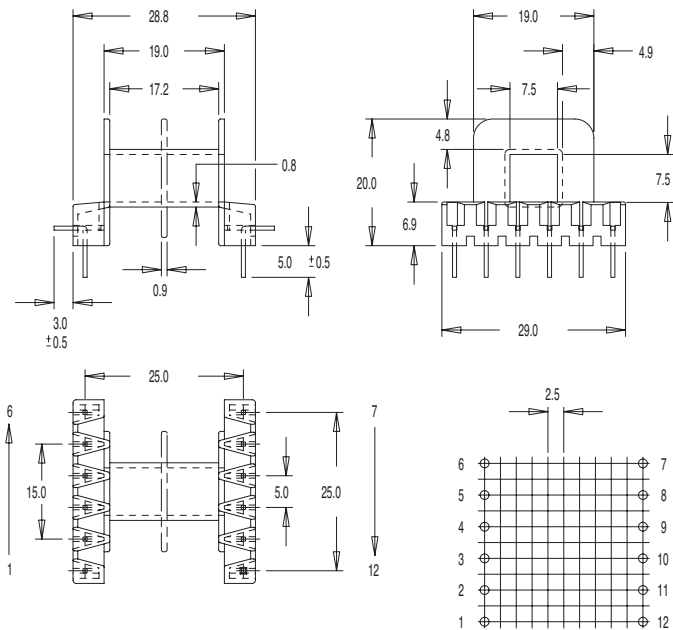
Standard materials: Nylon 66 glass reinforced to UL94V0
 Pin material: Phosphor Bronze Dimensions in millimetres



E/EE/EF Ferrite Core Coil Bobbins

MILES · PLATTS

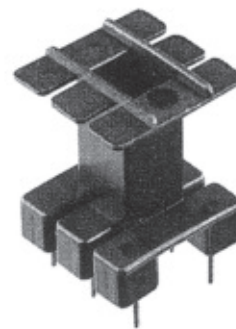
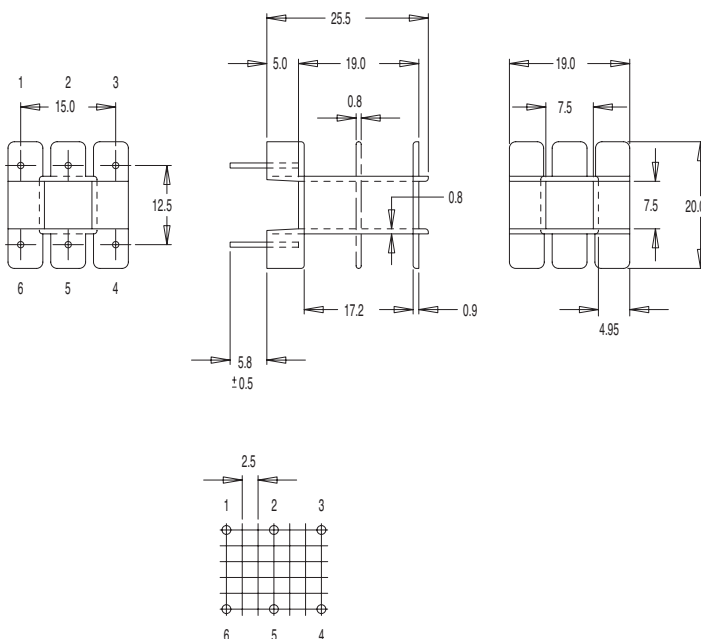
E 30/15/7 HORIZONTAL



Bobbin size	Type	No. of Pins available	Pin size	Part No.
EF 30/15/7	SS	12 (2 x 6)	0.635 Sq.	FE0152
EF 30/15/7	DS	12 (2 x 6)	0.635 Sq.	FE0153

Standard materials: Nylon 66 glass reinforced to UL94HB / Nylon 66 glass reinforced to UL94V0
Pin material: Phosphor Bronze Dimensions in millimetres

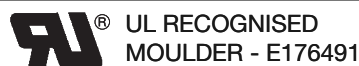
E 30/15/7 VERTICAL



Bobbin size	Type	No. of Pins available	Pin size	Part No.
E 30/15/7	SS	6 (2 x 3)	Ø0.8 or 0.7 Sq.	FE0140
E 30/15/7	DS	6 (2 x 3)	Ø0.8 or 0.7 Sq.	FE0141

Standard materials: Nylon 66 glass reinforced to UL94HB / Nylon 66 glass reinforced to UL94V0
Pin material: Phosphor Bronze Dimensions in millimetres

For further technical information please contact sales
Tel: +44 (0) 116 264 3850 Fax: +44 (0) 116 264 3851
Email: enquiries@milesplatts.co.uk
Web: www.milesplatts.co.uk

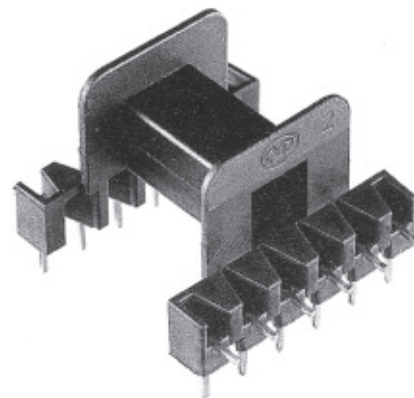
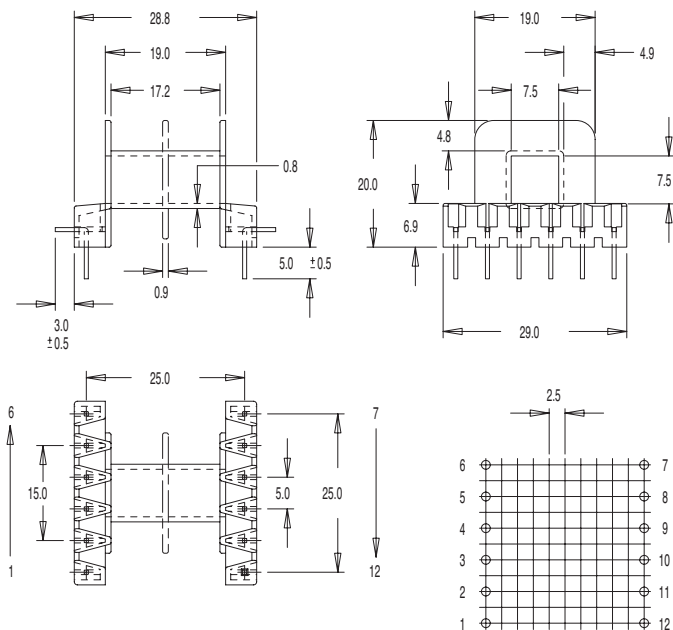




E/EE/EF Ferrite Core Coil Bobbins

MILES · PLATTS

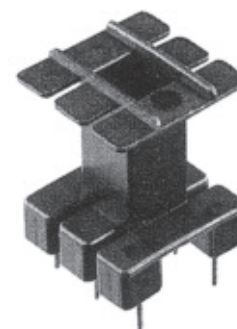
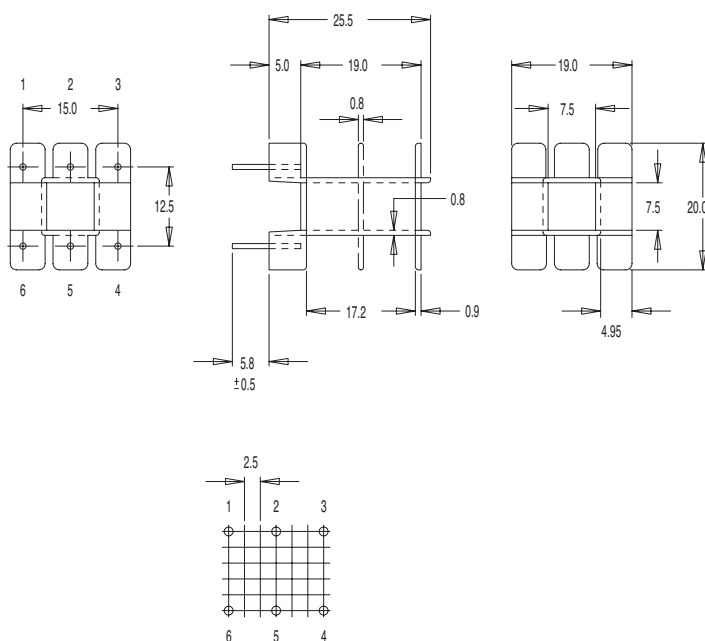
E 30/15/7 HORIZONTAL



Bobbin size	Type	No. of Pins available	Pin size	Part No.
EF 30/15/7	SS	12 (2 x 6)	0.635 Sq.	FE0152
EF 30/15/7	DS	12 (2 x 6)	0.635 Sq.	FE0153

Standard materials: Nylon 66 glass reinforced to UL94HB / Nylon 66 glass reinforced to UL94V0
Pin material: Phosphor Bronze Dimensions in millimetres

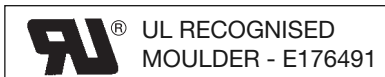
E 30/15/7 VERTICAL



Bobbin size	Type	No. of Pins available	Pin size	Part No.
E 30/15/7	SS	6 (2 x 3)	Ø0.8 or 0.7 Sq.	FE0140
E 30/15/7	DS	6 (2 x 3)	Ø0.8 or 0.7 Sq.	FE0141

Standard materials: Nylon 66 glass reinforced to UL94HB / Nylon 66 glass reinforced to UL94V0
Pin material: Phosphor Bronze Dimensions in millimetres

Most products are available direct from stock with same day despatch - please contact sales for details

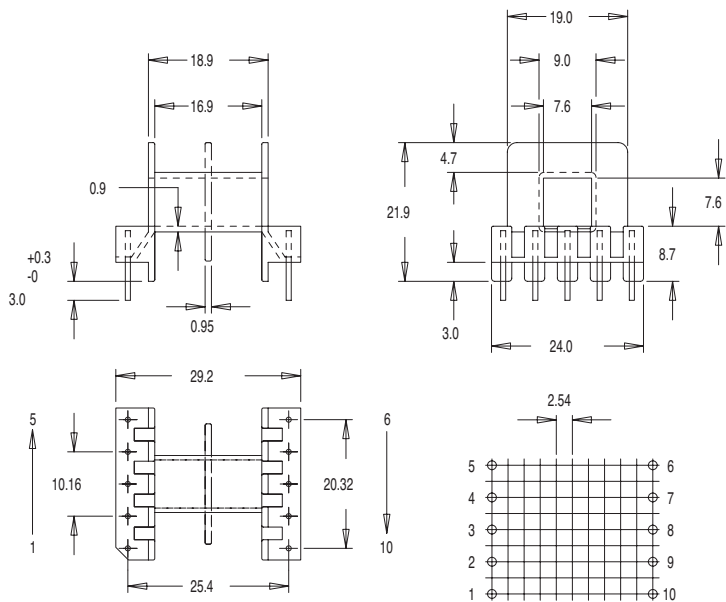
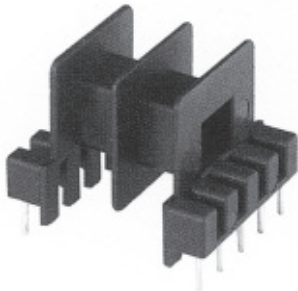




E/EE/EF Ferrite Core Coil Bobbins

MILES · PLATTS

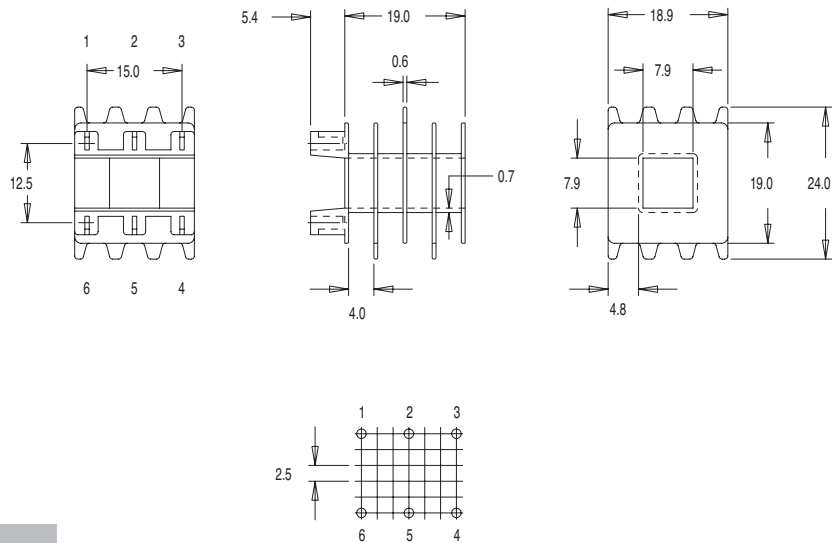
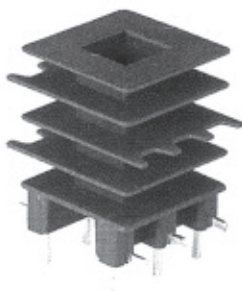
E 30/15/7 HORIZONTAL



Bobbin size	Type	No. of pins available	Pin size	Part No.
E 30/15/7	SS	10 (2 x 5)	0.7 Sq.	FE0155
E 30/15/7	DS	10 (2 x 5)	0.7 Sq.	FE0156

Standard materials: Nylon 66 glass reinforced to UL94HB / Nylon 66 glass reinforced to UL94V0
 Pin material: Phosphor Bronze Dimensions in millimetres

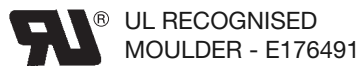
E 30/15/7 VERTICAL



Bobbin size	Terminal type	No. of terminals available	Part No.
E 30/15/7	TBS 600 Series	6 (2 x 3)	FE0145

Standard materials: Nylon 66 glass reinforced to UL94V0 Dimensions in millimetres

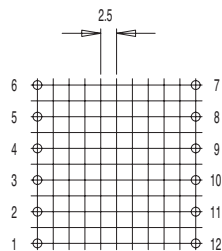
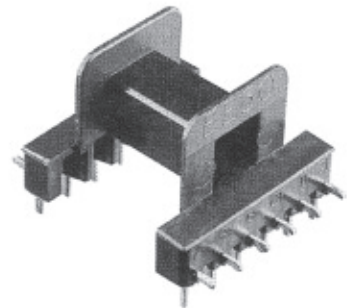
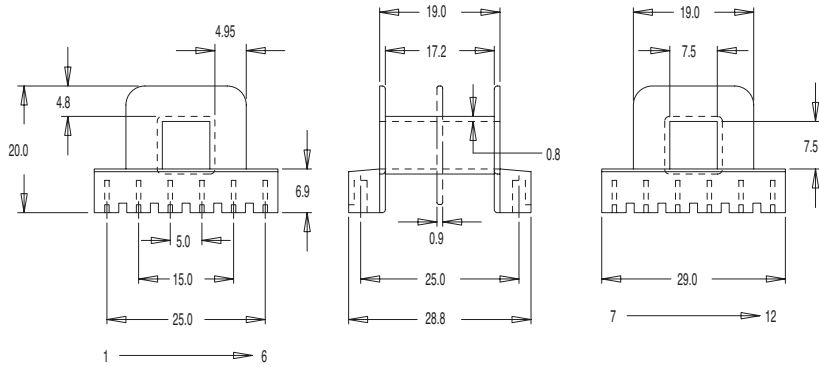
For further technical information please contact sales
 Tel: +44 (0) 116 264 3850 Fax: +44 (0) 116 264 3851
 Email: enquiries@milesplatts.co.uk
 Web: www.milesplatts.co.uk





E/EE/EF Ferrite Core Coil Bobbins MILES · PLATTS

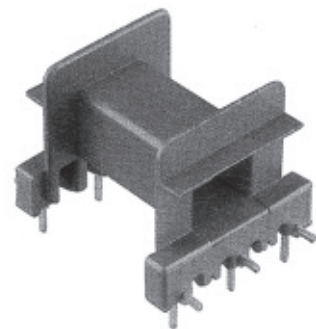
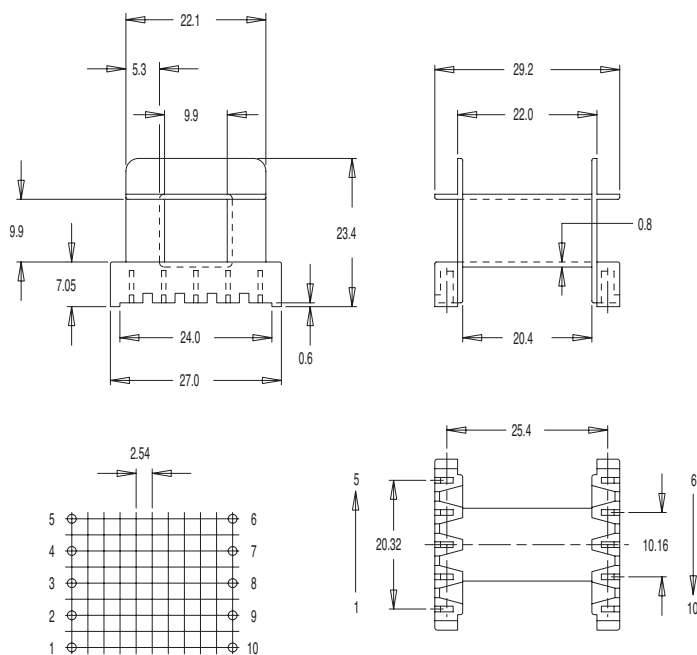
E 30/15/7 HORIZONTAL



Bobbin size	Type	Terminal type	No. of terminals available	Part No.
E 30/15/7	SS	TBS 600 Series	12 (2 x 6)	FE0150
E 30/15/7	DS	TBS 600 Series	12 (2 x 6)	FE0151

Standard materials: Nylon 66 glass reinforced to UL94HB / Nylon 66 glass reinforced to UL94V0
Dimensions in millimetres

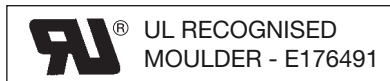
EF 32/16/9



Bobbin size	Type	Terminal type	No. of terminals available	Part No.
E 32/16/9	SS	TBS 600 Series	10 (2 x 5)	FE0160

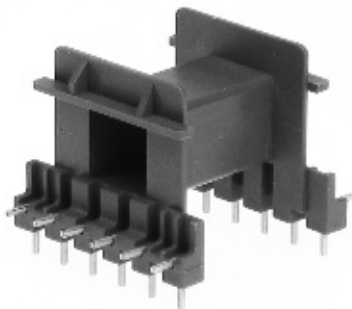
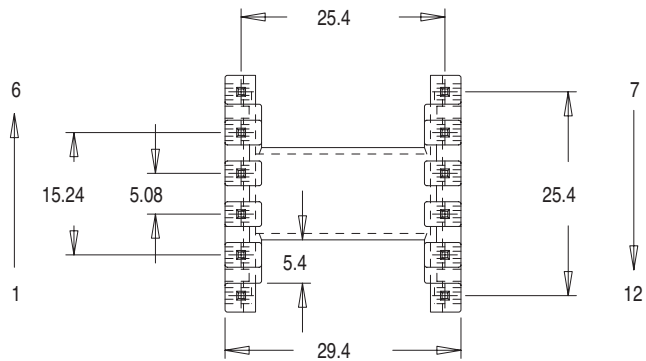
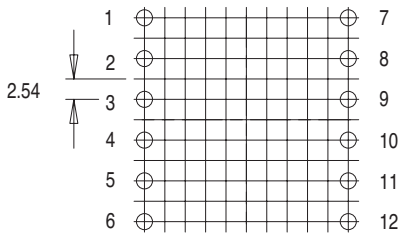
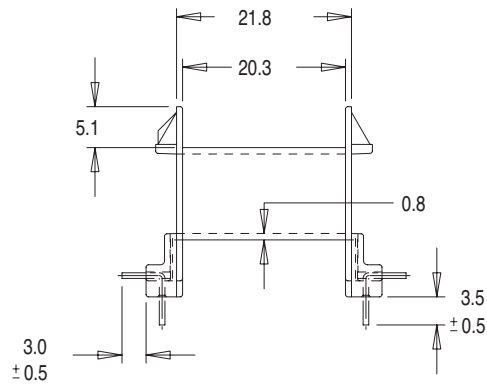
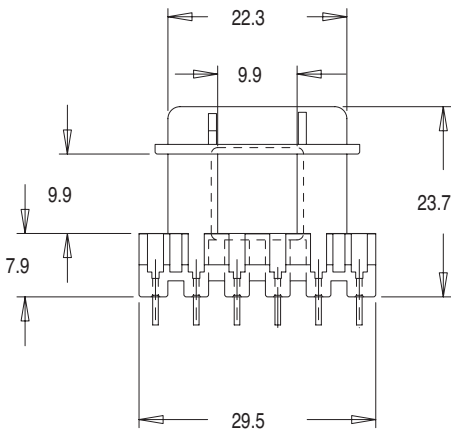
Standard materials: Nylon 66 glass reinforced to UL94V0
Dimensions in millimetres

Miles-Platts are technical moulders - we manufacture more than bobbins - please contact sales for details





E 32/16/9 HORIZONTAL



FE0165

Bobbin size	Type	No. of pins available	Pin size	Part No.
E 32/16/9	SS	12 (2 x 6)	0.7 SQ.	FE0165

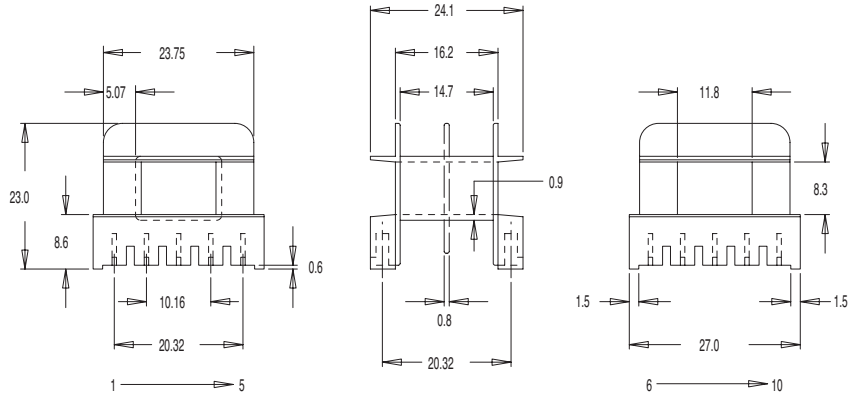
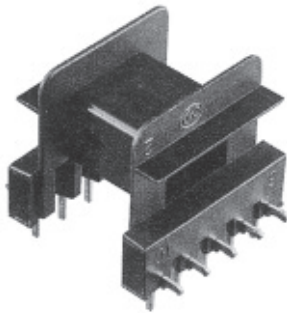
Standard materials: Nylon 66 glass reinforced to UL94V0
Dimensions in millimetres



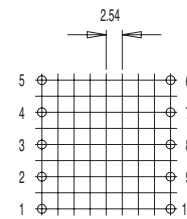
E/EE/EF Ferrite Core Coil Bobbins

MILES · PLATTS

E 34 X 26 X 8 (F1239)*

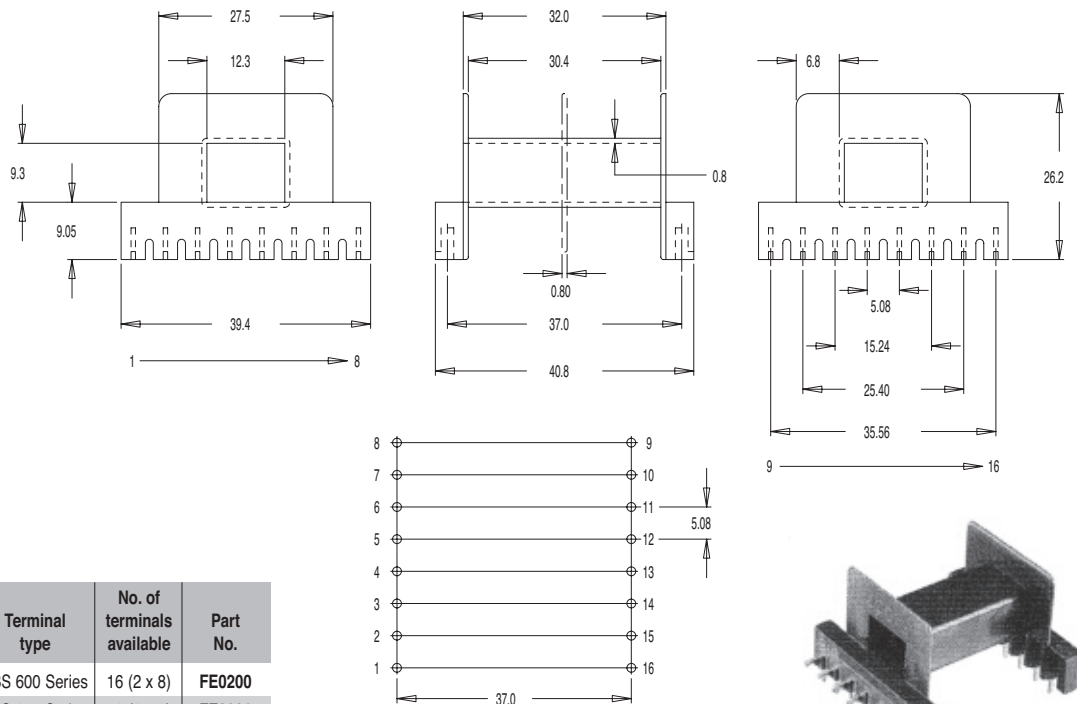


Bobbin size	Type	Terminal type	No. of terminals available	Part No.
E 34 x 26 x 8	SS	TBS 600 Series	10 (2 x 5)	FE0180
E 34 x 26 x 8	DS	TBS 600 Series	10 (2 x 5)	FE0181

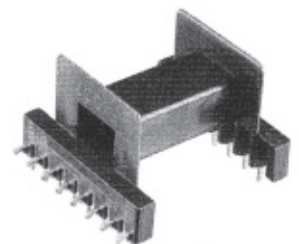


Standard materials: Nylon 66 glass reinforced to UL94HB / Nylon 66 glass reinforced to UL94V0
Dimensions in millimetres *Accepts 621 Lamination size

E 41 X 44 X 9 (F1007)

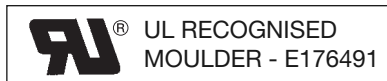


Bobbin size	Type	Terminal type	No. of terminals available	Part No.
E 41 x 44 x 9	SS	TBS 600 Series	16 (2 x 8)	FE0200
E 41 x 44 x 9	DS	TBS 600 Series	16 (2 x 8)	FE0201



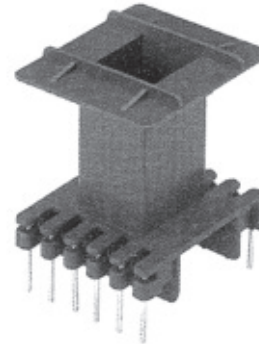
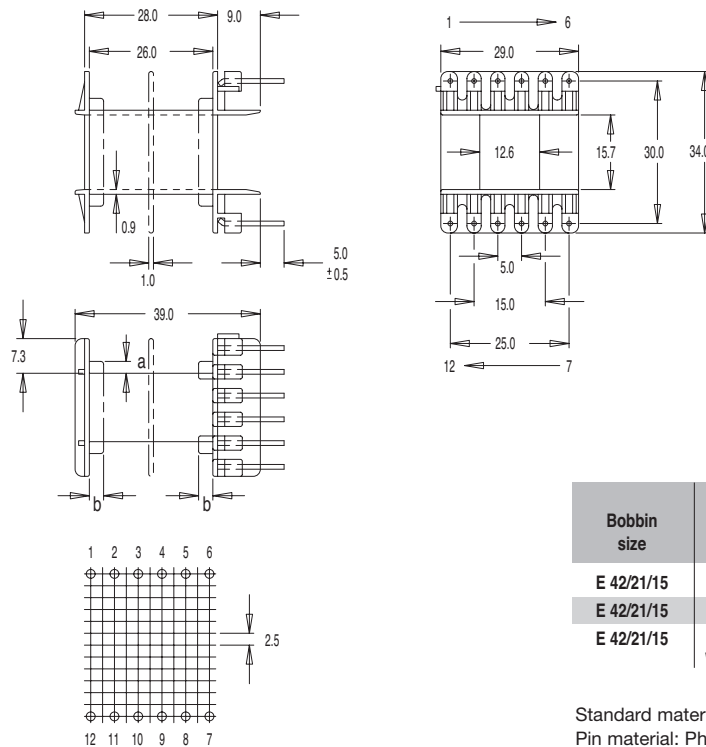
Standard materials: Nylon 66 glass reinforced to UL94HB / Nylon 66 glass reinforced to UL94V0
Dimensions in millimetres

Miles-Platts are technical moulders - we manufacture more than bobbins - please contact sales for details





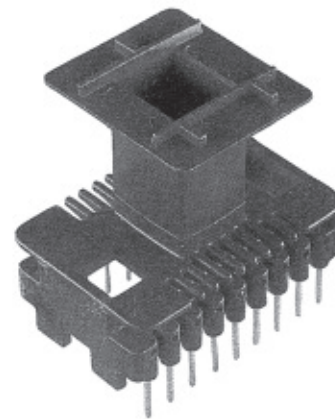
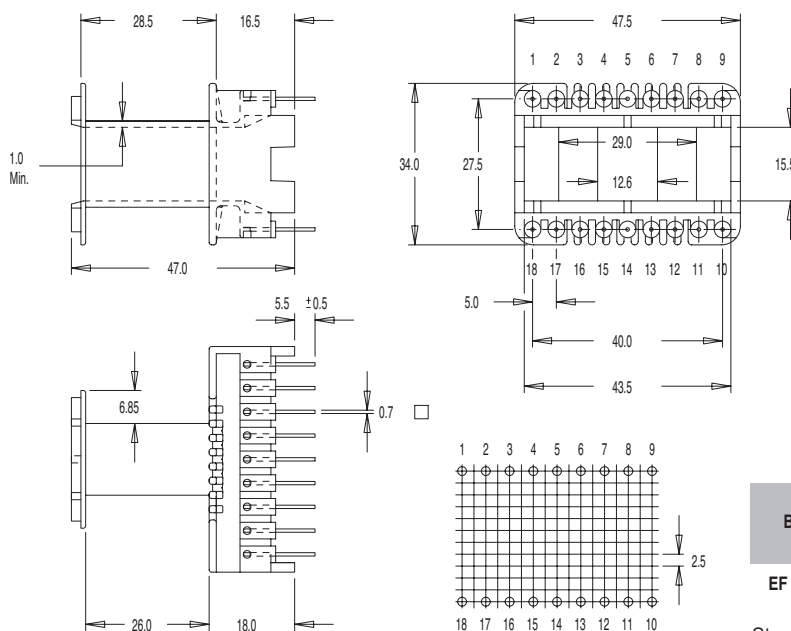
E 42/21/15 VERTICAL



Bobbin size	Type/Description	No. of pins available	Pin size	a	b	Part No.
E 42/21/15	DS	12 (2 x 6)	Ø1.0	-	-	FE0219
E 42/21/15	SS	12 (2 x 6)	Ø1.0	-	-	FE0220
E 42/21/15	SS With primary margins	12 (2 x 6)	Ø1.0	2.5	3.0	FE0221

Standard materials: Nylon 66 glass reinforced to UL94V0
Pin material: Phosphor Bronze Dimensions in millimetres

E 42/21/15 VERTICAL (18 PINS)

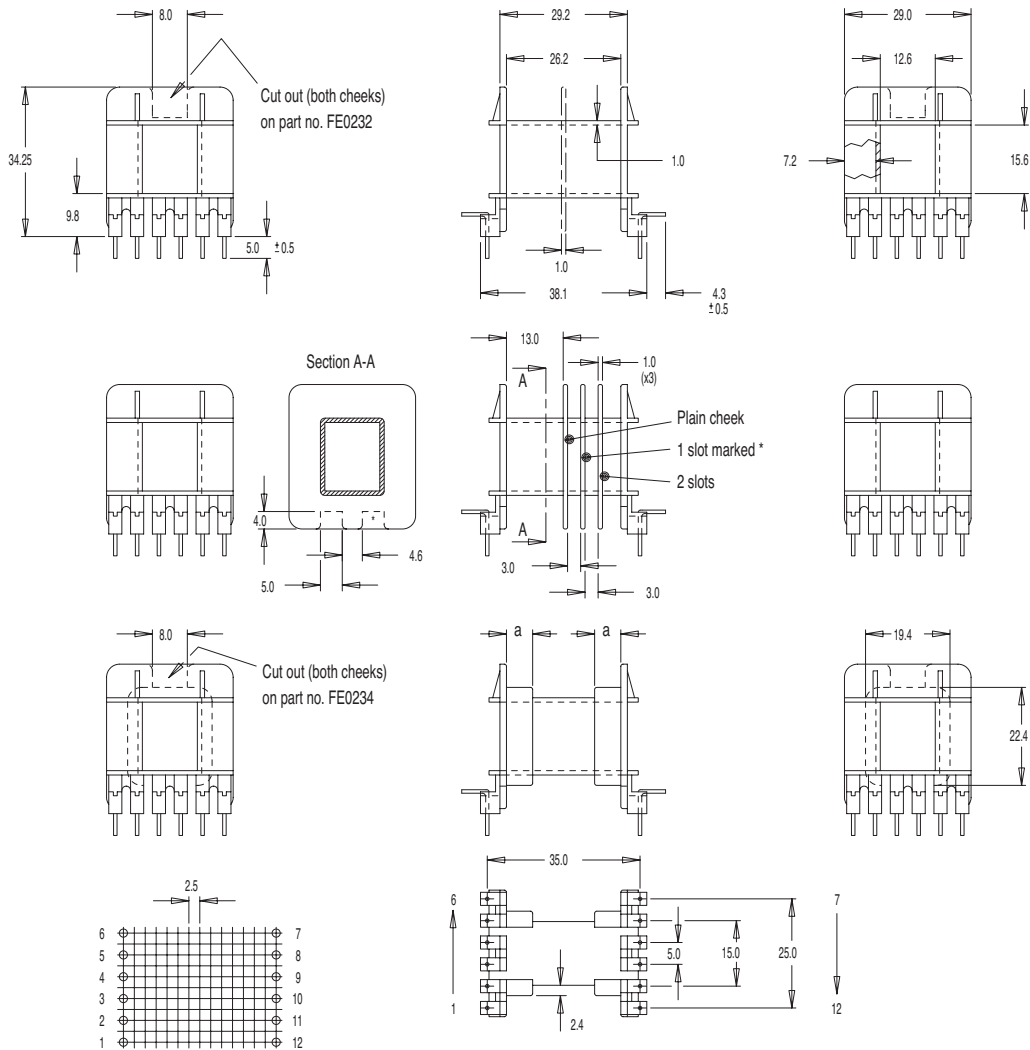


Bobbin size	Type	No. of Pins available	Pin size	Part No.
EF 42/21/15	SS	18 (2 x 9)	0.7 Sq.	FE0222

Standard materials: Nylon 66 glass reinforced to UL94V0
Pin material: Phosphor Bronze Dimensions in millimetres

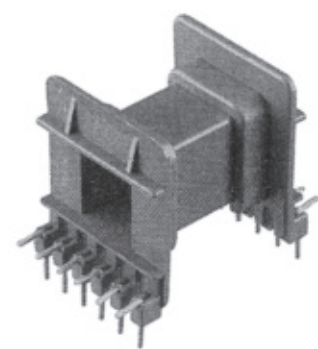


E 42/21/15 HORIZONTAL



Section 6

Bobbin size	Type/Description	No. of pins available	Pin size	a	Part No.
E 42/21/15	SS	12 (2 x 6)	Ø0.9	-	FE0230
E 42/21/15	DS	12 (2 x 6)	Ø0.9	-	FE0231
E 42/21/15	SS With cut out	12 (2 x 6)	Ø0.9	-	FE0232
E 42/21/15	SS With primary margin	12 (2 x 6)	Ø0.9	6.0	FE0233
E 42/21/15	SS With primary margin and cut out	12 (2 x 6)	Ø0.9	3.0	FE0234
E 42/21/15	SS With primary margin	12 (2 x 6)	Ø0.9	6.4	FE0235
E 42/21/15	MS Multi-section	12 (2 x 6)	Ø0.9	-	FE0240



FE0233 shown

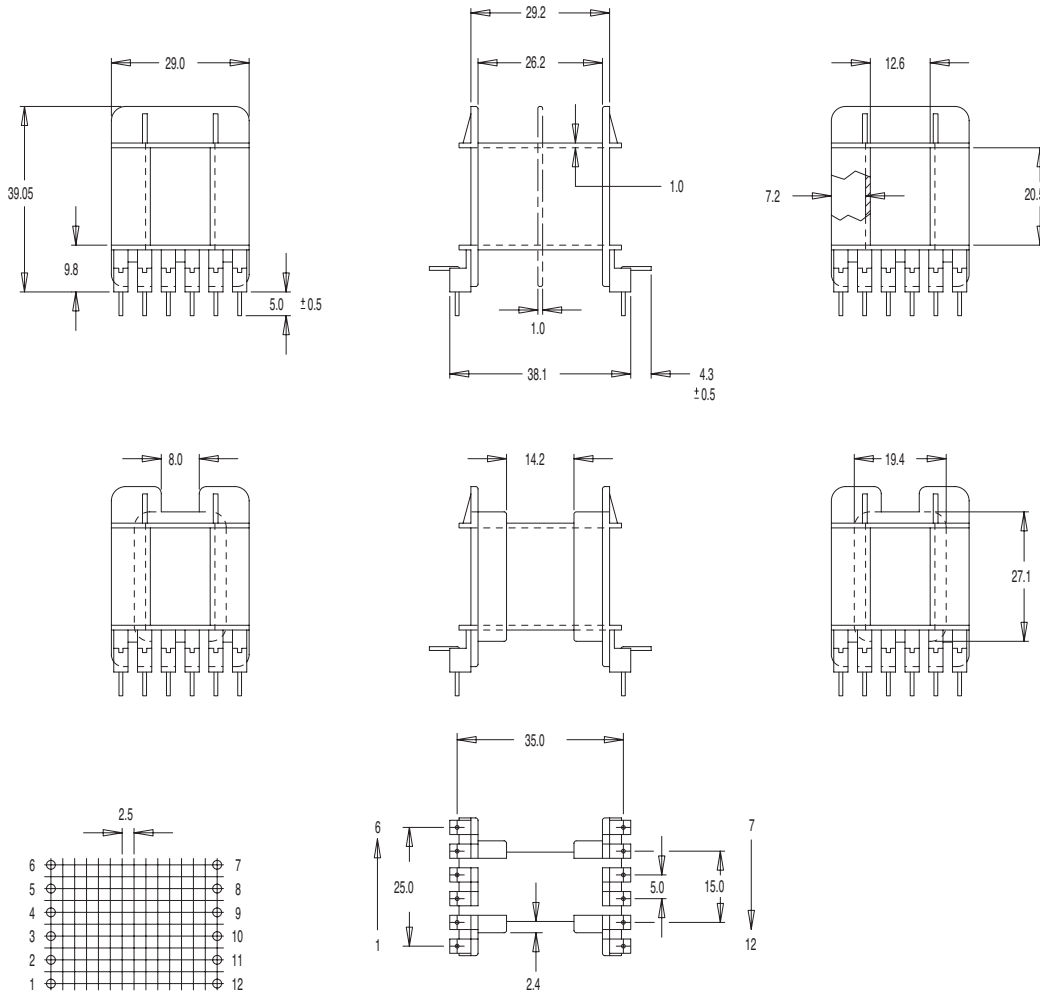
Standard materials: Nylon 66 glass reinforced to UL94V0 Pin material: Phosphor Bronze Dimensions in millimetres

Miles-Platts are technical moulders - we manufacture more than bobbins - please contact sales for details

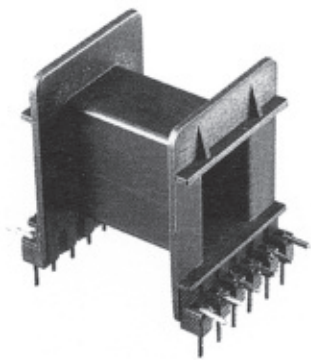




E 42/21/20



Section 6



Bobbin size	Type/Description	No. of pins available	Pin size	Part No.
E 42/21/20	SS	12 (2 x 6)	Ø0.9	FE0250
E 42/21/20	DS	12 (2 x 6)	Ø0.9	FE0251
E 42/21/20	SS With primary margin and cut out	12 (2 x 6)	Ø0.9	FE0252

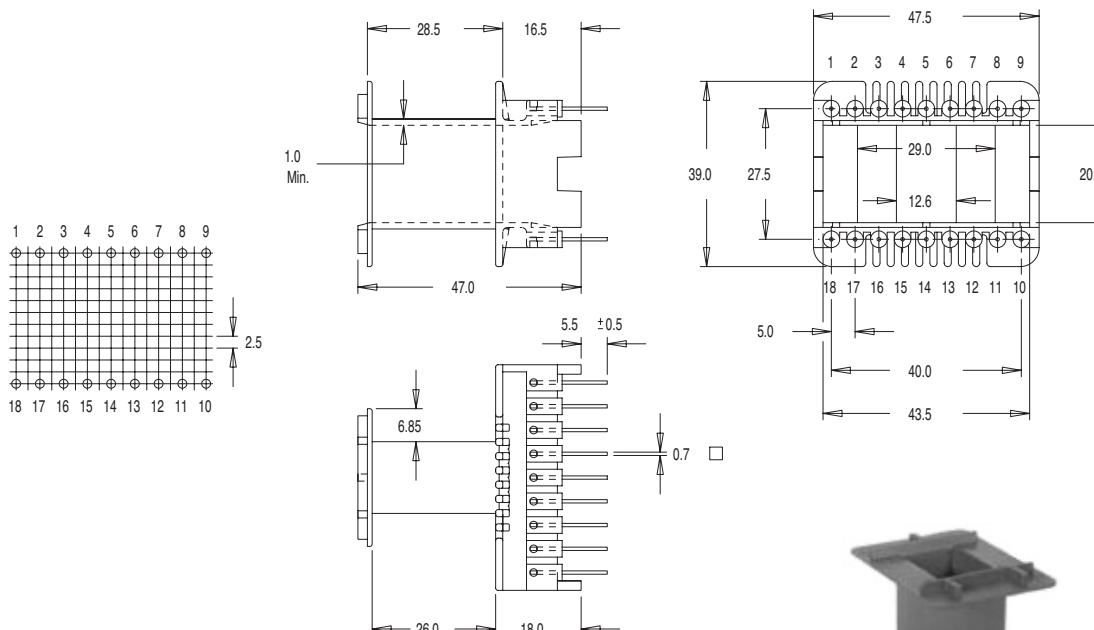
Standard materials: Nylon 66 glass reinforced to UL94V0
Pin material: Phosphor Bronze Dimensions in millimetres

For further technical information please contact sales
Tel: +44 (0) 116 264 3850 Fax: +44 (0) 116 264 3851
Email: enquiries@milesplatts.co.uk
Web: www.milesplatts.co.uk





E 42/21/20 VERTICAL (18 PINS)



FE0226

Bobbin size	Type	No. of Pins available	Pin size	Part No.
E 42/21/20	SS	18 (2 x 9)	0.7 Sq.	FE0226

Standard materials: Nylon 66 glass reinforced to UL94V0 Pin material: Phosphor Bronze Dimensions in millimetres

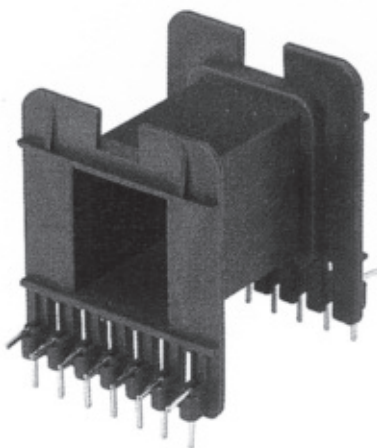
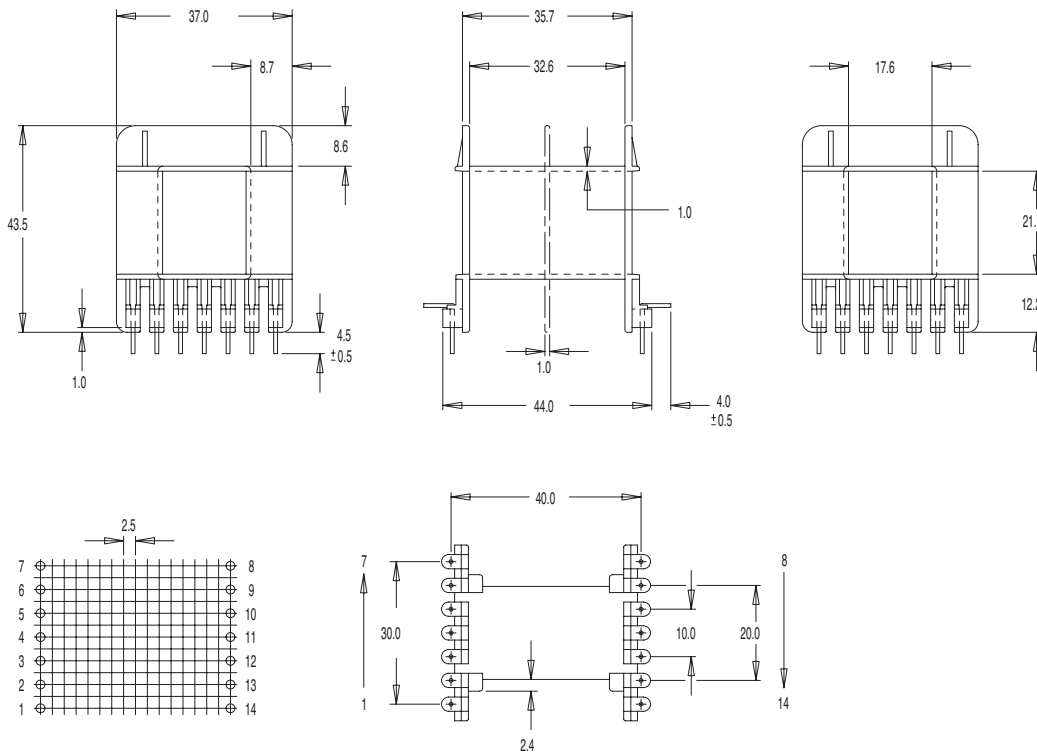
Section 6



E/EE/EF Ferrite Core Coil Bobbins

MILES · PLATTS

E 55/28/21



FE0272 shown

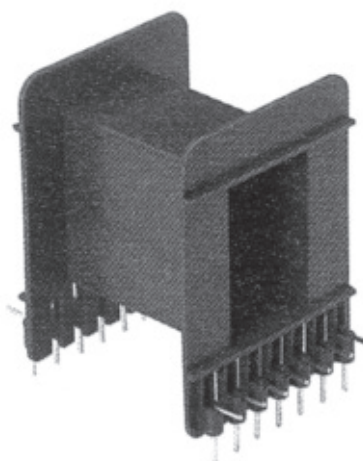
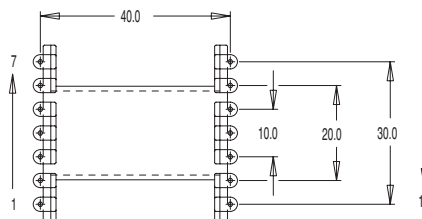
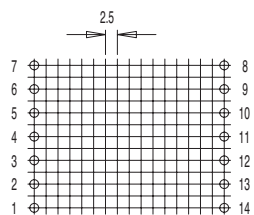
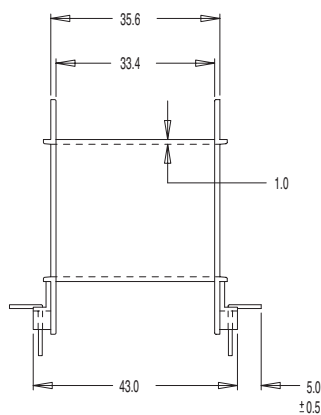
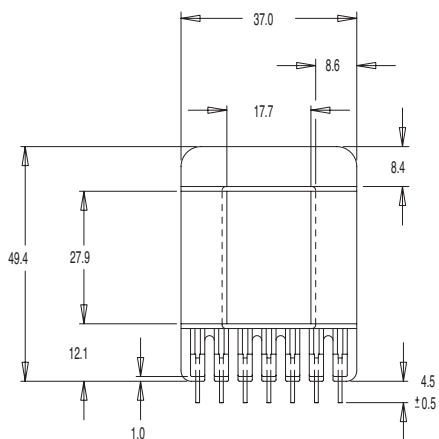
Bobbin size	Type/Description	No. of pins available	Pin size	Part No.
E 55/28/21	SS	14 (2 x 7)	Ø0.9	FE0270
E 55/28/21	DS	14 (2 x 7)	Ø0.9	FE0271
E 55/28/21	SS With primary margin and cut out	14 (2 x 7)	Ø0.9	FE0272

Standard materials: Nylon 66 glass reinforced to UL94V0
Pin material: Phosphor Bronze Dimensions in millimetres



E/EE/EF Ferrite Core Coil Bobbins MILES · PLATTS

E 55/28/25



Bobbin size	Type	No. of Pins available	Pin size	Part No.
E 55/28/25	SS	14 (2 x 7)	Ø0.9	FE0290

Standard materials: Nylon 66 glass reinforced to UL94V0 Pin material: Phosphor Bronze Dimensions in millimetres

Miles-Platts are technical moulders - we manufacture more than bobbins - please contact sales for details

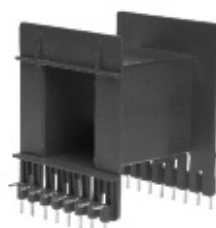
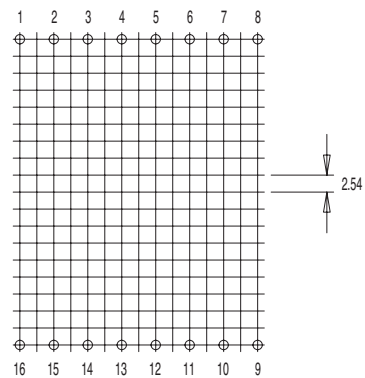
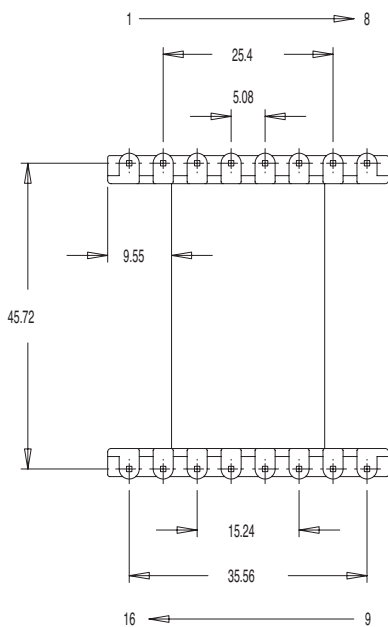
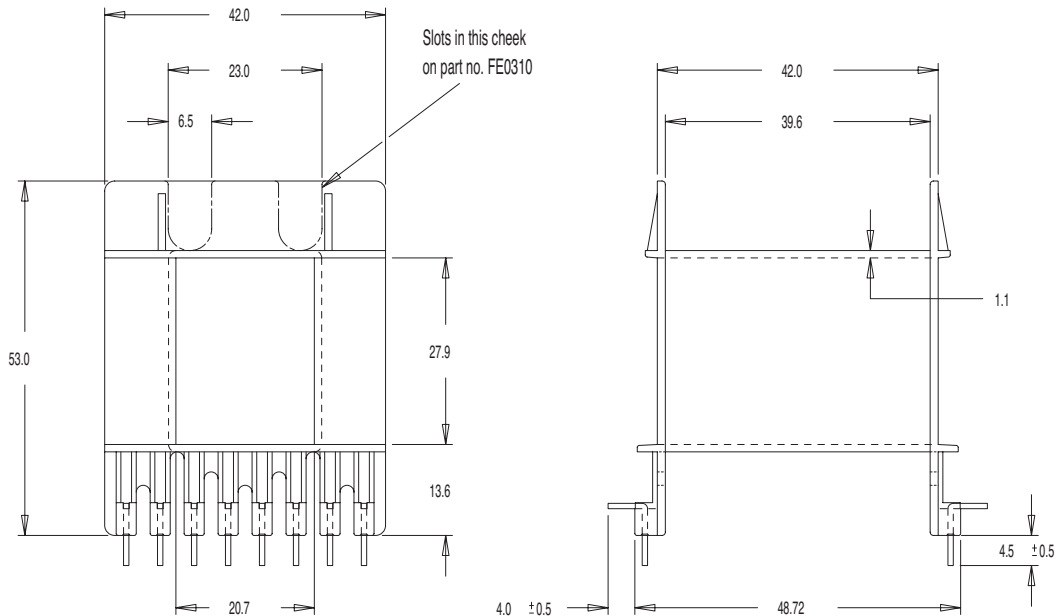




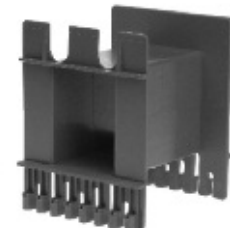
E/EE/EF Ferrite Core Coil Bobbins

MILES · PLATTS

E 65/32/27



FE0300

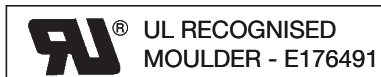


FE0310

Bobbin size	Type/Description	No. of Pins available	Pin size	Part No.
E 65/32/27	SS	16 (2 x 8)	0.8 Sq.	FE0300
E 65/32/27	SS with slots	16 (2 x 8)	0.8 Sq.	FE0310
E 65/32/27	SS	16 (2 x 8)	Ø0.8	FE0340
E 65/32/27	SS with slots	16 (2 x 8)	Ø0.8	FE0350

Standard materials: Nylon 66 glass reinforced to UL94V0 Pin material: Phosphor Bronze Dimensions in millimetres

For further technical information please contact sales
 Tel: +44 (0) 116 264 3850 Fax: +44 (0) 116 264 3851
 Email: enquiries@milesplatts.co.uk
 Web: www.milesplatts.co.uk

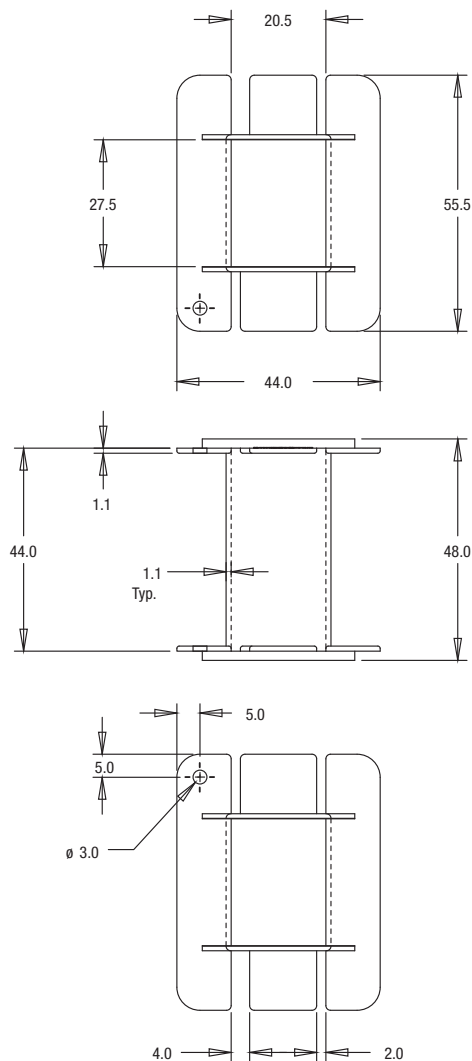




E 65/32/27



FE0360GNNBLK



Bobbin Size	Description	Part No.
E 65/32/27	SS	FE0360

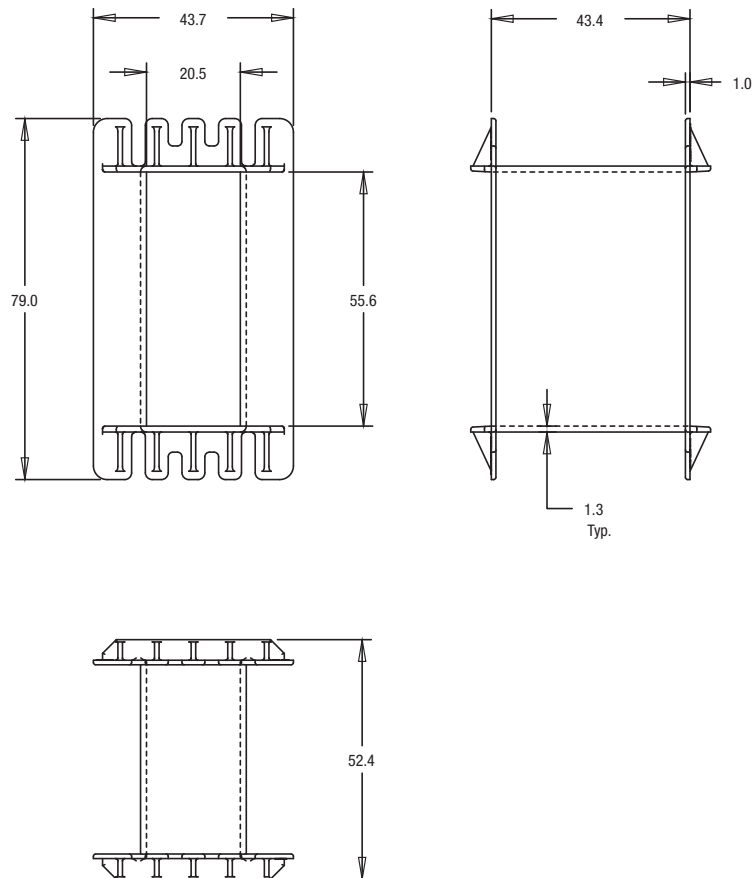
Standard Materials: Nylon 66 glass reinforced to UL94V0 / Nylon 66 glass reinforced to UL94HB.

Dimensions in millimetres

Section 6



E 65/32/27 DOUBLE HEIGHT



Section 6

Bobbin Size	Description	Part No.
E 65/32/27 Double Height	SS	FE0370

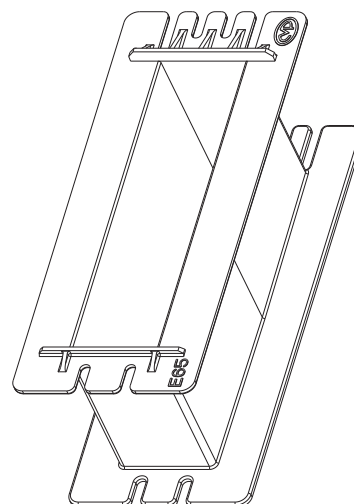
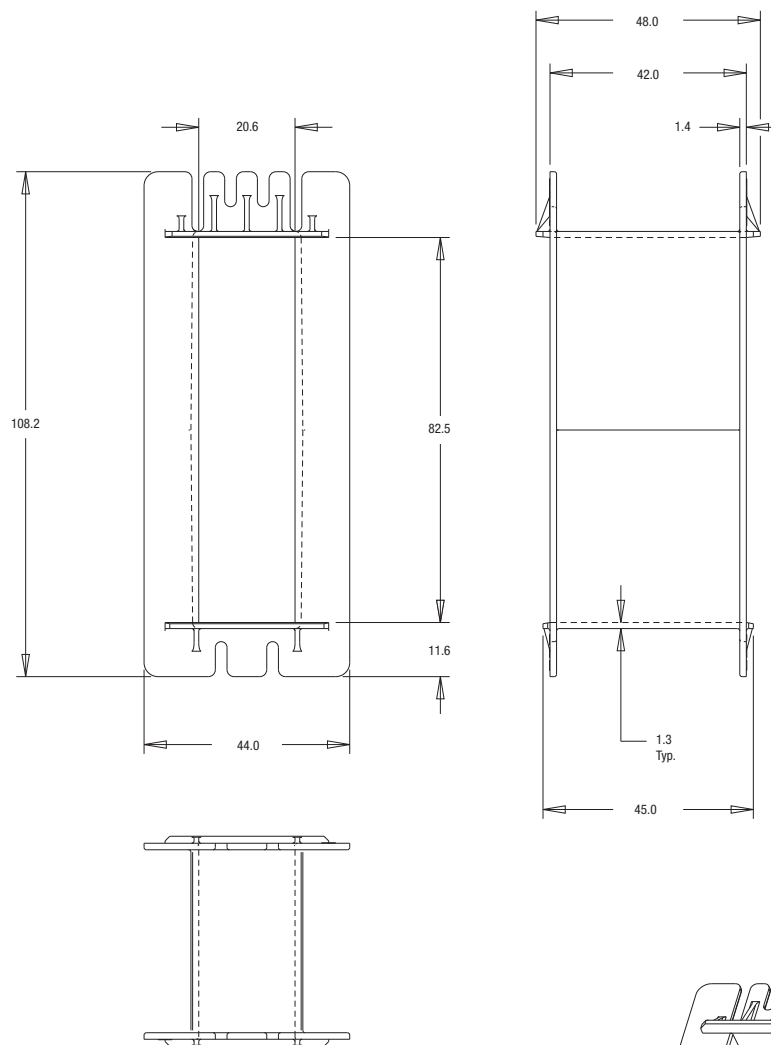
Standard Materials: Nylon 66 glass reinforced to UL94V0 / Nylon 66 glass reinforced to UL94HB.

Alternative materials available - refer to section 2, page 10.

Dimensions in millimetres



E 65/32/27 TRIPLE HEIGHT



Bobbin Size	Description	Part No.
E 65/32/27 Triple Height	SS	FE0380

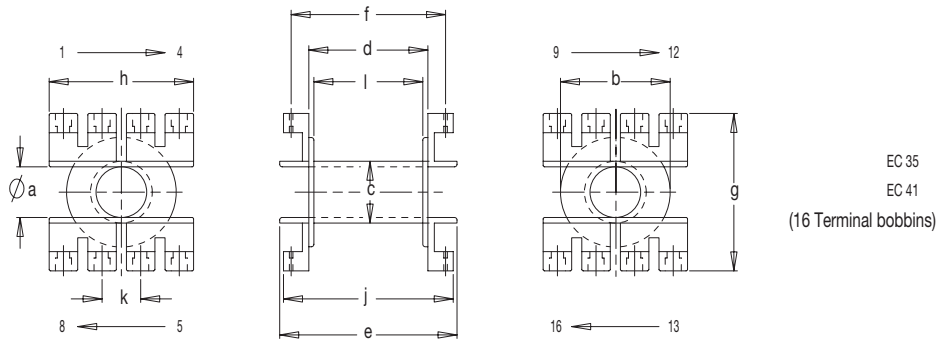
Standard Materials: Nylon 66 glass reinforced to UL94V0 / Nylon 66 glass reinforced to UL94HB.

Alternative materials available - refer to section 2, page 10.

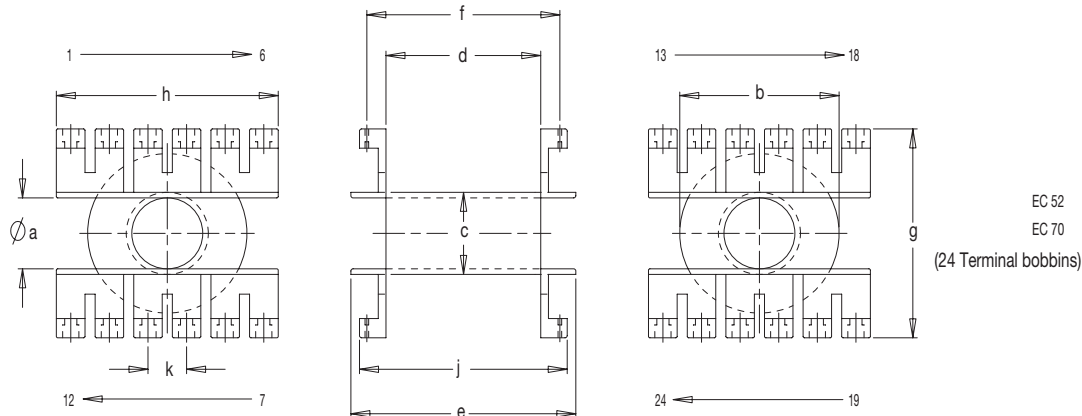
Dimensions in millimetres



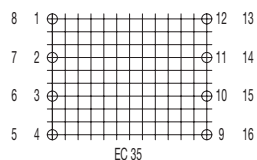
SWITCH MODE



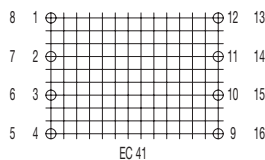
EC 35
EC 41
(16 Terminal bobbins)



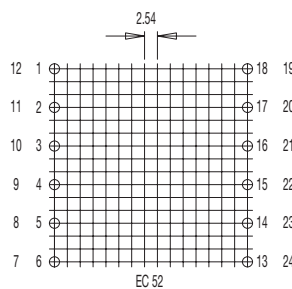
EC 52
EC 70
(24 Terminal bobbins)



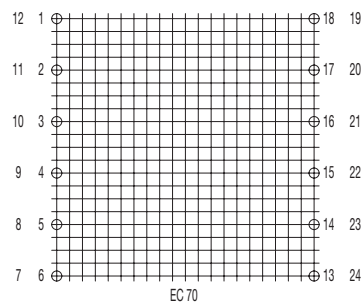
EC 35



EC 41



EC 52

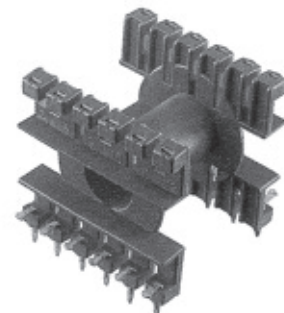


EC 70

For use with terminals TBS 902/3/6/8/9

Bobbin size	No. of terminals available	a	b	c	d	e	f	g	h	j	k	l	Part No.
EC 35 (MP23)	16 (4 x 4)	10.0	21.6	12.2	23.5	34.0	30.48	31.1	28.5	33.5	7.62	21.5	FC0010
EC 41 (MP33)	16 (4 x 4)	12.1	25.6	14.1	26.7	38.5	33.02	36.15	28.5	36.0	7.62	24.5	FC0020
EC 52 (MP43)	24 (4 x 6)	14.0	31.4	16.2	28.3	44.4	38.1	41.23	43.8	41.0	7.62	28.3	FC0030
EC 70 (MP53)	24 (4 x 6)	17.2	42.5	19.4	41.45	51.6	50.8	51.4	56.5	54.2	10.16	41.5	FC0040

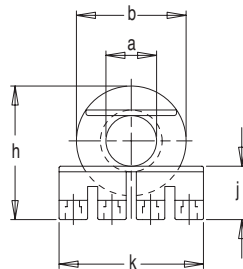
Standard materials: Nylon 66 glass reinforced to UL94V0 Dimensions in millimetres



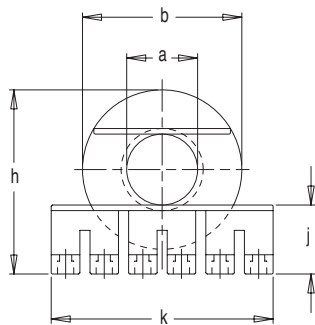
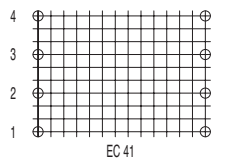
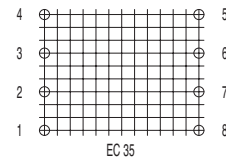
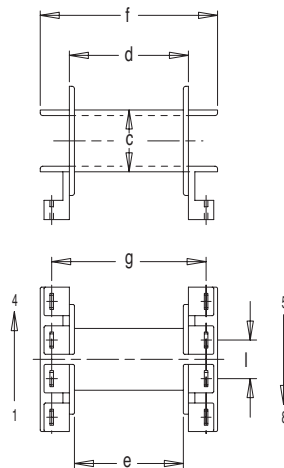


EC Ferrite Core Coil Bobbins

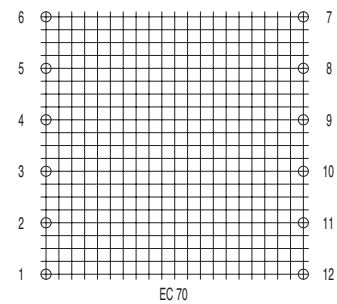
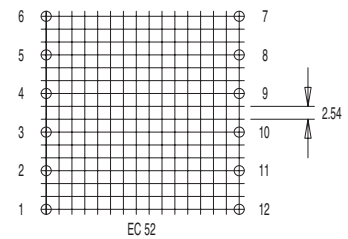
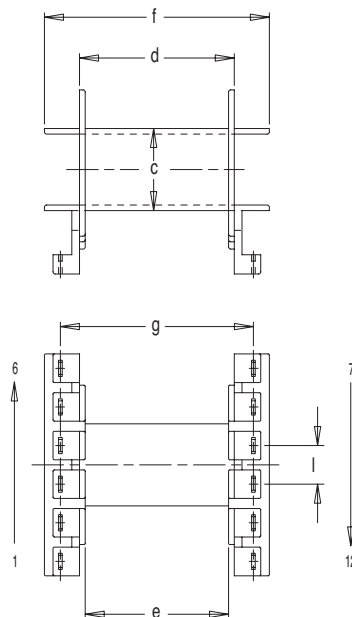
SWITCH MODE LOW PROFILE



EC 35
EC 41
(8 Terminal bobbins)

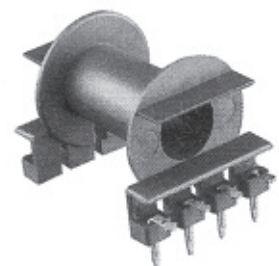


EC 52
EC 70
(12 Terminal bobbins)



For use with terminals TBS 902/3/6/8/9

Bobbin size	No. of terminals available	a	b	c	d	e	f	g	h	j	k	l	Part No.
EC 35 (MP23)	8 (2 x 4)	10.0	21.6	12.2	23.5	21.5	34.0	30.48	26.4	10.5	28.5	7.62	FC0011
EC 41 (MP33)	8 (2 x 4)	12.1	25.6	14.1	26.7	24.5	38.5	33.02	30.9	12.0	28.5	7.62	FC0021
EC 41 (MP33)	8 (2 x 4)	28.9	10.0	FC0022
EC 52 (MP43)	12 (2 x 6)	14.0	31.4	16.2	30.55	28.3	44.4	38.1	36.3	13.6	43.8	7.62	FC0031
EC 70 (MP53)	12 (2 x 6)	17.2	42.5	19.4	44.15	41.5	57.8	50.8	47.0	17.1	56.5	10.16	FC0041



Standard materials: Nylon 66 glass reinforced to UL94V0 Dimensions in millimetres

Miles-Platts are technical moulders - we manufacture more than bobbins - please contact sales for details

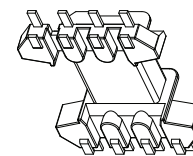
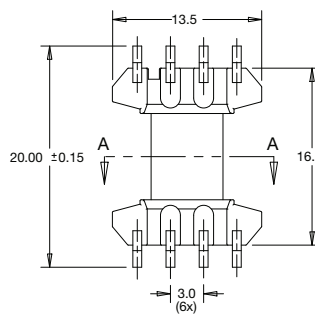
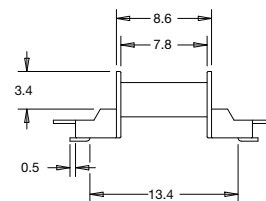
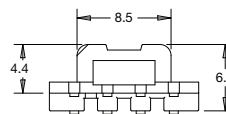
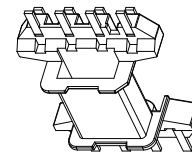
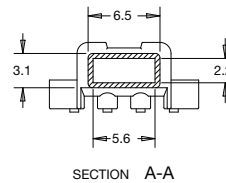




EFD Ferrite Core Coil Bobbins

MILES · PLATTS

EFD 12



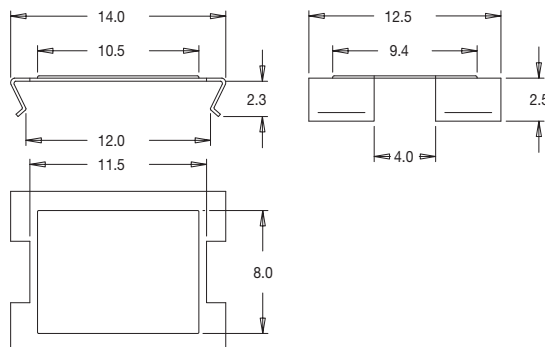
Coil Former	
Coil former material	Liquid crystal polymer (LCP), glass reinforced, flame retardant in accordance with "UL 94V-0"; UL file number E54705 (M)
Resistance to soldering heat	"IEC 60068-2-20", Part 2, Test Tb, method 1B, 350 deg. C, 3.5 s
Pin material	0.3 x 0.8 Phosphor bronze - Tin (Sn) plated
Solderability	"IEC 60068-2-20", Part 2, Test Ta, method 1, 235 deg. C, 2 s
Pin pull out force	1.5 Kg Minimum
Part number	EFD12H1S08CP-00

Dimensions in millimetres

EFD 12



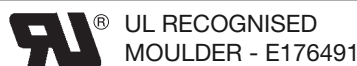
EFD12COVERM-02



Mounting Cover	
Clip material	Steel
Part No.	EFD12COVERM-02

Dimensions in millimetres

For further technical information please contact sales
 Tel: +44 (0) 116 264 3850 Fax: +44 (0) 116 264 3851
 Email: enquiries@milesplatts.co.uk
 Web: www.milesplatts.co.uk



Section 6

42

Section 6



EFD Ferrite Core Coil Bobbins

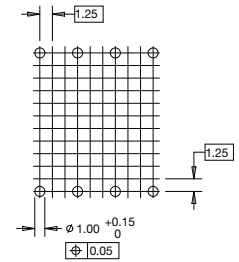
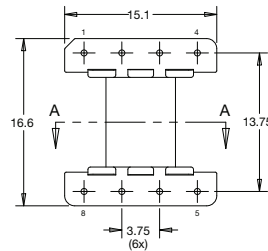
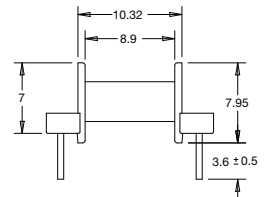
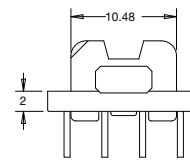
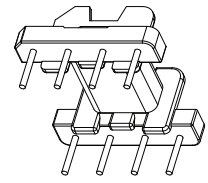
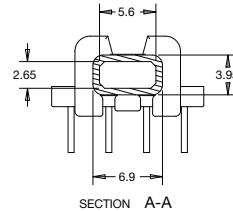
MILES · PLATTS

EFD 15



EFD15H1S08IS-00

Coil Former	
Coil former material	Phenolformaldehyde (PF), glass reinforced, flame retardant in accordance with "UL 94V-0"; UL file number E41429 (M)
Resistance to soldering heat	"IEC 60068-2-20", Part 2, Test Tb, method 1B, 350 deg. C, 3.5 s
Pin material	0.60 Dia. copper clad steel wire (ASTM.B.227) - Tin (Sn) plated
Solderability	"IEC 60068-2-20", Part 2, Test Ta, method 1, 235 deg. C, 2 s
Pin pull out force	1.5 Kg Minimum
Part number	EFD15H1S08IS-00



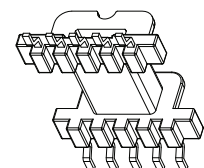
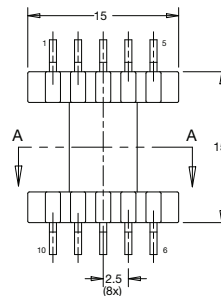
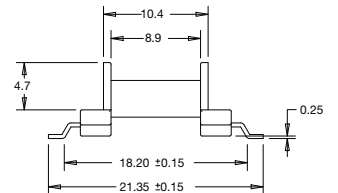
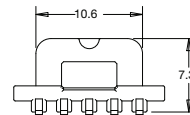
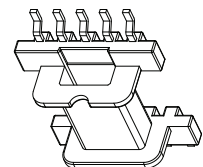
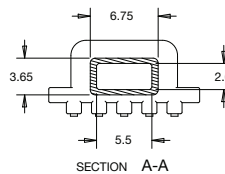
Dimensions in millimetres

EFD 15



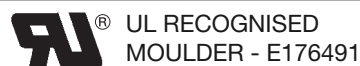
EFD15H1S10GP-00

Coil Former	
Coil former material	Liquid crystal polymer (LCP), glass reinforced, flame retardant in accordance with "UL 94V-0"; UL file number E54705 (M)
Resistance to soldering heat	"IEC 60068-2-20", Part 2, Test Tb, method 1B, 350 deg. C, 3.5 s
Pin material	0.4 x 0.7 Phosphor bronze - Tin (Sn) plated
Solderability	"IEC 60068-2-20", Part 2, Test Ta, method 1, 235 deg. C, 2 s
Pin pull out force	1.5 Kg Minimum
Part number	EFD15H1S10GP-00



Dimensions in millimetres

Most products are available direct from stock with same day despatch - please contact sales for details



Section 6

43

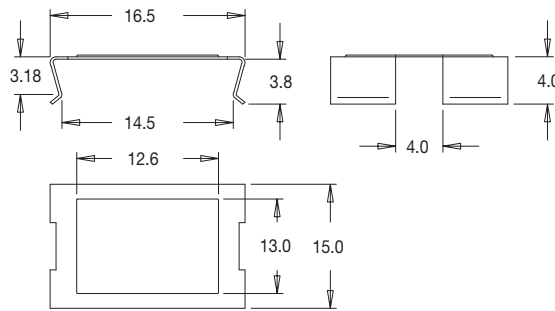
Section 6



EFD 15



EFD15COVERM-03



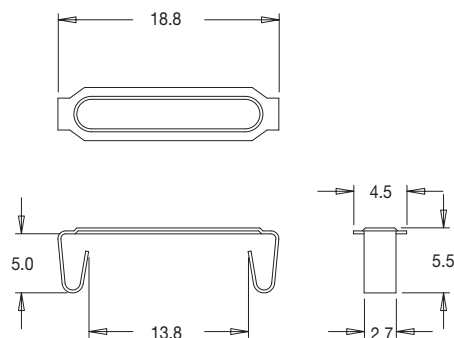
Mounting Cover	
Clip material	Stainless steel
Part No.	EFD15COVERM-03

Dimensions in millimetres

EFD 15



EFD15CLIPM-00



Mounting Clip	
Clip material	Stainless steel
Part No.	EFD15CLIPM-00

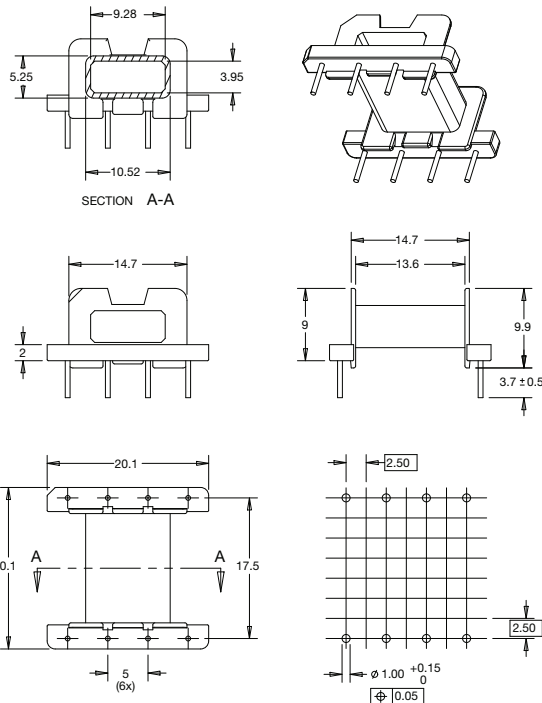
Dimensions in millimetres



EFD Ferrite Core Coil Bobbins

MILES · PLATTS

EFD 20



Coil Former	
Coil former material	Phenolformaldehyde (PF), glass reinforced, flame retardant in accordance with "UL 94V-0"; UL file number E41429 (M)
Resistance to soldering heat	"IEC 60068-2-20", Part 2, Test Tb, method 1B, 350 deg. C, 3.5 s
Pin material	0.60 Dia. copper clad steel wire (ASTM.B.227) - Tin (Sn) plated
Solderability	"IEC 60068-2-20", Part 2, Test Ta, method 1, 235 deg. C, 2 s
Pin pull out force	1.5 Kg Minimum
Part number	EFD20H1S08IS-00

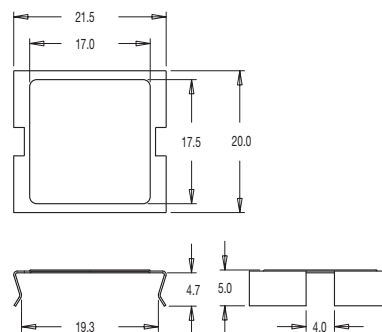
Dimensions in millimetres

EFD 20



Mounting Cover	
Clip material	Steel
Part No.	EFD20COVERM-02

Dimensions in millimetres

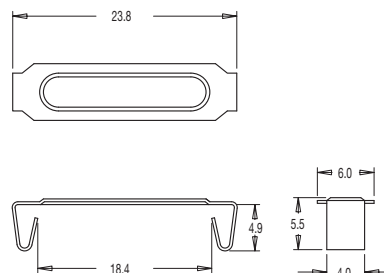


EFD 20



Mounting Clip	
Clip material	Steel
Part No.	EFD20CLIPM-00

Dimensions in millimetres



Miles Platts terminals & wire pins are lead-free - all polymers meet the REACH and RoHS directive (2002/95/EC). Please refer to www.milesplatts.co.uk for details.





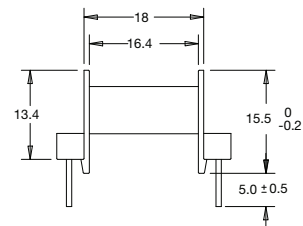
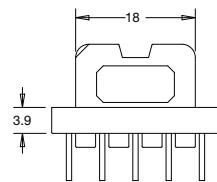
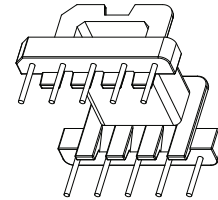
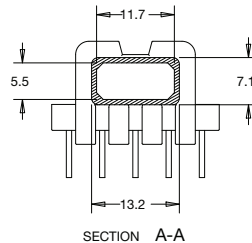
EFD Ferrite Core Coil Bobbins

MILES · PLATTS

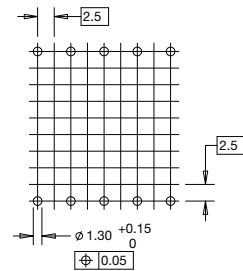
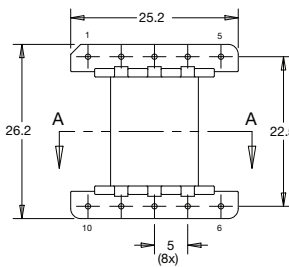
EFD 25



EFD25H1S10IS-00



Coil Former	
Coil former material	Phenolformaldehyde (PF), glass reinforced, flame retardant in accordance with "UL 94V-0"; UL file number E59481 (S)
Resistance to soldering heat	"IEC 60068-2-20", Part 2, Test Tb, method 1B, 350 deg. C, 3.5 s
Pin material	0.80 Dia. copper clad steel wire (ASTM.B.227) - Tin (Sn) plated
Solderability	"IEC 60068-2-20", Part 2, Test Ta, method 1, 235 deg. C, 2 s
Pin pull out force	1.5 Kg Minimum
Part number	EFD25H1S10IS-00



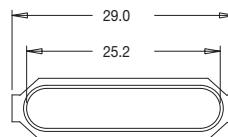
Dimensions in millimetres

Section 6

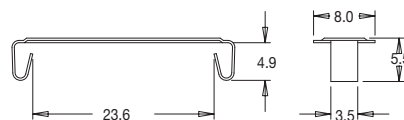
EFD 25



EFD25CLIPM-00

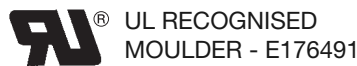


Mounting Clip	
Clip material	Steel
Part No.	EFD25CLIPM-00



Dimensions in millimetres

For further technical information please contact sales
 Tel: +44 (0) 116 264 3850 Fax: +44 (0) 116 264 3851
 Email: enquiries@milesplatts.co.uk
 Web: www.milesplatts.co.uk

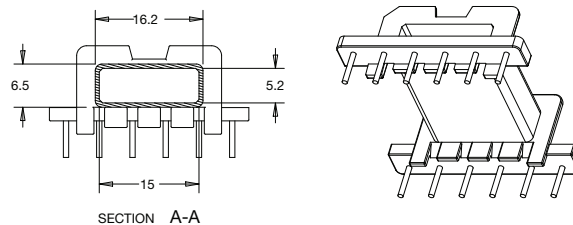




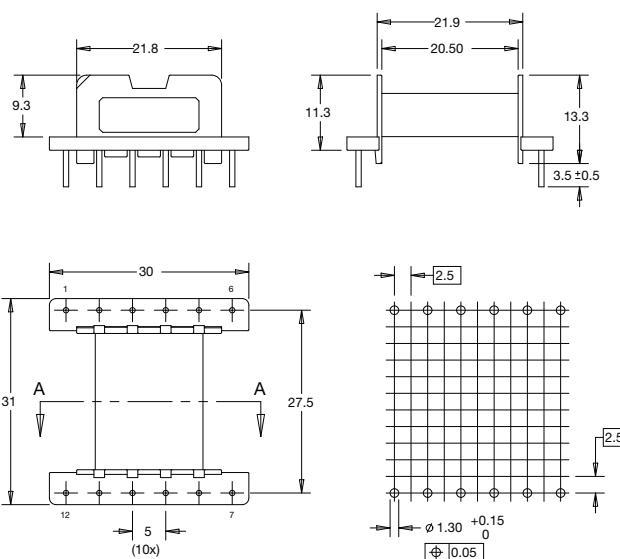
EFD Ferrite Core Coil Bobbins

MILES · PLATTS

EFD 30



Coil Former	
Coil former material	Phenolformaldehyde (PF), glass reinforced, flame retardant in accordance with "UL 94V-0"; UL file number E41429 (M)
Resistance to soldering heat	"IEC 60068-2-20", Part 2, Test Tb, method 1B, 350 deg. C, 3.5 s
Pin material	0.80 Dia. copper clad steel wire (ASTM.B.227) - Tin (Sn) plated
Solderability	"IEC 60068-2-20", Part 2, Test Ta, method 1, 235 deg. C, 2 s
Pin pull out force	1.5 Kg Minimum
Part number	EFD30H1S12IS-00



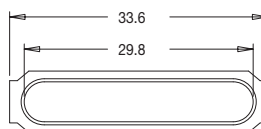
Dimensions in millimetres

Section 6

EFD 30



EFD30CLIPM-00

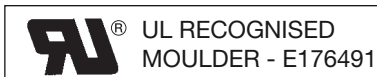


Mounting Clip	
Clip material	Steel
Part No.	EFD30CLIPM-00



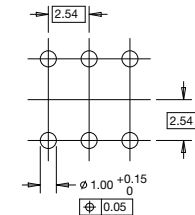
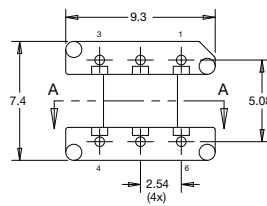
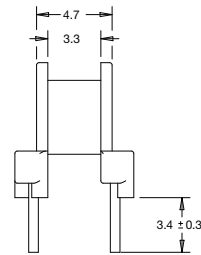
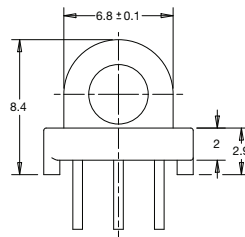
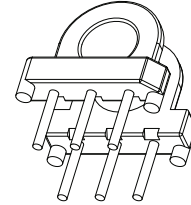
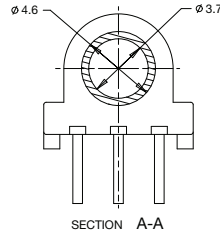
Dimensions in millimetres

Miles-Platts are technical moulders - we manufacture more than bobbins - please contact sales for details





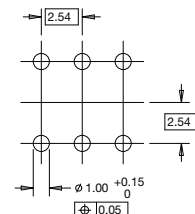
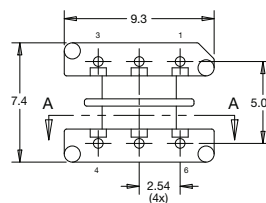
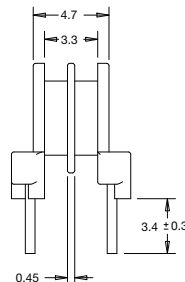
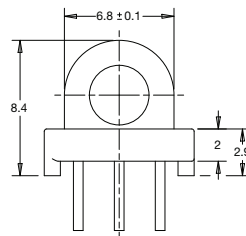
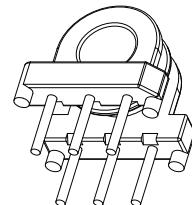
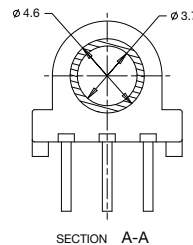
EP 7



Coil Former	
Coil former material	Phenolformaldehyde (PF), glass reinforced, flame retardant in accordance with "UL 94V-0"; UL file number E41429 (M)
Resistance to soldering heat	"IEC 60068-2-20", Part 2, Test Tb, method 1B, 350 deg. C, 3.5 s
Pin material	0.60 Dia. copper clad steel wire (ASTM.B.227) - Tin (Sn) plated
Solderability	"IEC 60068-2-20", Part 2, Test Ta, method 1, 235 deg. C, 2 s
Pin pull out force	0.7 Kg Minimum
Part number	EP07H1S06IS-00

Dimensions in millimetres

EP 7



Coil Former	
Coil former material	Phenolformaldehyde (PF), glass reinforced, flame retardant in accordance with "UL 94V-0"; UL file number E41429 (M)
Resistance to soldering heat	"IEC 60068-2-20", Part 2, Test Tb, method 1B, 350 deg. C, 3.5 s
Pin material	0.60 Dia. copper clad steel wire (ASTM.B.227) - Tin (Sn) plated
Solderability	"IEC 60068-2-20", Part 2, Test Ta, method 1, 235 deg. C, 2 s
Pin pull out force	0.7 Kg Minimum
Part number	EP07H2S06IS-00

Dimensions in millimetres

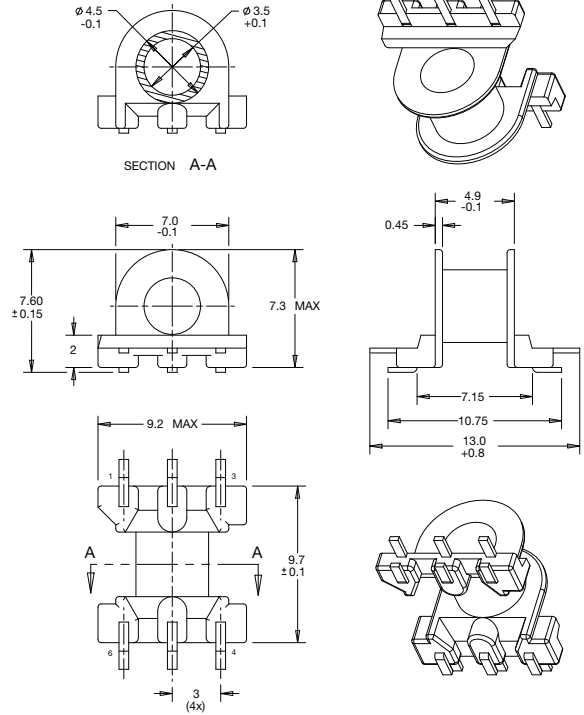


EP Ferrite Core Coil Bobbins

MILES · PLATTS

EP 7

Coil Former	
Coil former material	Phenolformaldehyde (PF), glass reinforced, flame retardant in accordance with "UL 94V-0"; UL file number E41429(M)
Resistance to soldering heat	"IEC 60068-2-20", Part 2, Test Tb, method 1B, 350 deg. C, 3.5 s
Pin material	0,30 x 0.60 Phosphor bronze - Tin (Sn) plated
Solderability	"IEC 60068-2-20", Part 2, Test Ta, method 1, 235 deg. C, 2 s
Pin pull out force	1.5 Kg Minimum
Part number	EP07H1S06CS-00



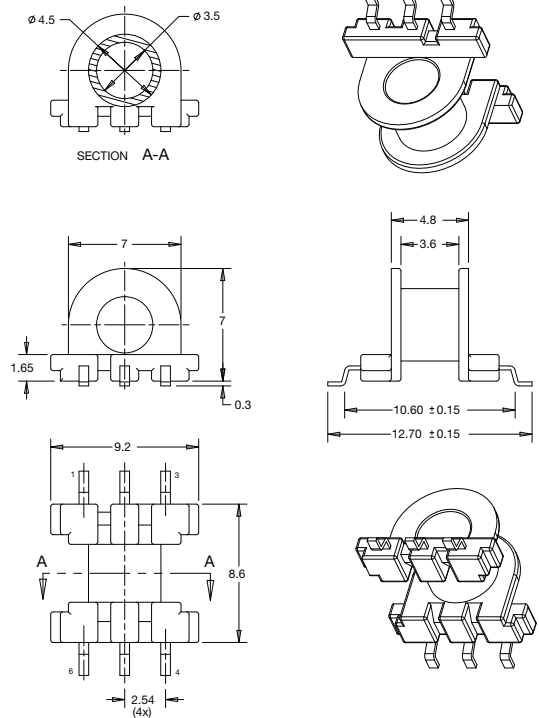
Dimensions in millimetres

EP 7



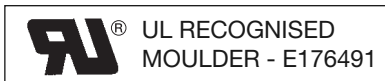
EP07H1S06GP-00

Coil Former	
Coil former material	Liquid crystal polymer (LCP), glass reinforced, flame retardant in accordance with "UL 94V-0"; UL file number E54705 (M)
Resistance to soldering heat	"IEC 60068-2-20", Part 2, Test Tb, method 1B, 350 deg. C, 3.5 s
Pin material	0,25 x 0.6 Phosphor bronze - Tin (Sn) plated
Solderability	"IEC 60068-2-20", Part 2, Test Ta, method 1, 235 deg. C, 2 s
Pin pull out force	1.5 Kg Minimum
Part number	EP07H1S06GP-00



Dimensions in millimetres

Miles-Platts terminals & wire pins are lead-free - all polymers meet the REACH and RoHS directive (2002/95/EC). Please refer to www.milesplatts.co.uk for details.



Section 6

49

Section 6



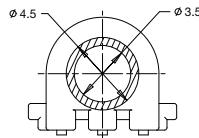
EP Ferrite Core Coil Bobbins

MILES · PLATTS

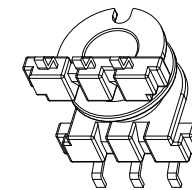
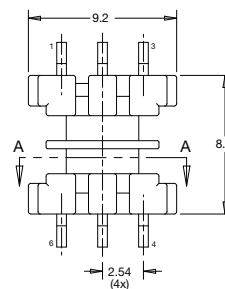
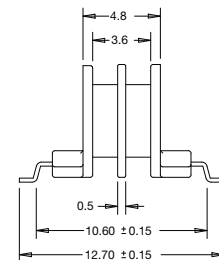
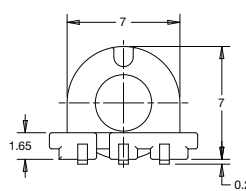
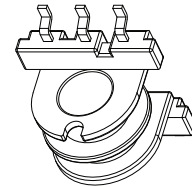
EP 7



EP07H2S06GP-00



SECTION A-A



Coil Former	
Coil former material	Liquid crystal polymer (LCP), glass reinforced, flame retardant in accordance with "UL 94V-0"; UL file number E54705 (M)
Resistance to soldering heat	"IEC 60068-2-20", Part 2, Test Tb, method 1B, 350 deg. C, 3.5 s
Pin material	0.25 x 0.6 Phosphor bronze - Tin (Sn) plated
Solderability	"IEC 60068-2-20", Part 2, Test Ta, method 1, 235 deg. C, 2 s
Pin pull out force	1.0 Kg Minimum
Part number	EP07H2S06GP-00

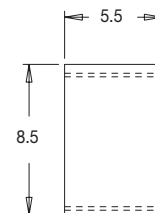
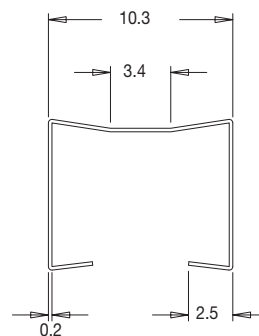
Dimensions in millimetres

Section 6

EP 7



EP07CLIPM-04



Mounting Clip	
Clip material	Stainless Steel
Part No.	EP07CLIPM-04

Dimensions in millimetres

For further technical information please contact sales
 Tel: +44 (0) 116 264 3850 Fax: +44 (0) 116 264 3851
 Email: enquiries@milesplatts.co.uk
 Web: www.milesplatts.co.uk

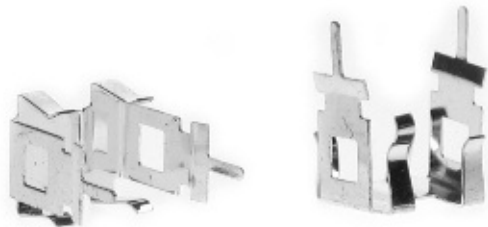




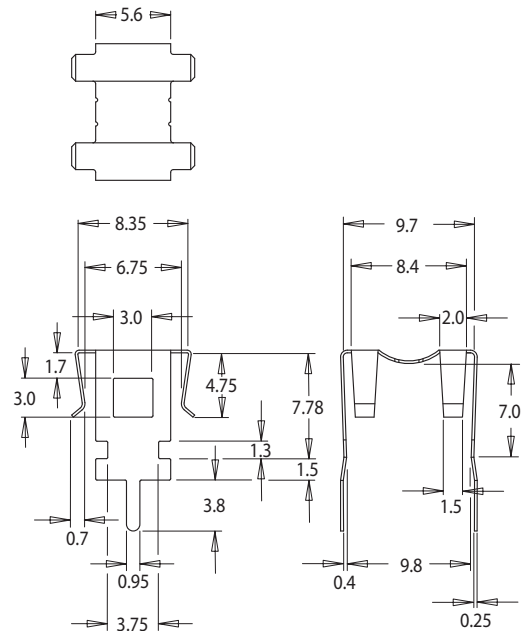
EP Ferrite Core Coil Bobbins

MILES · PLATTS

EP 7



EP07CLIPM-01



Mounting clip with earth pin

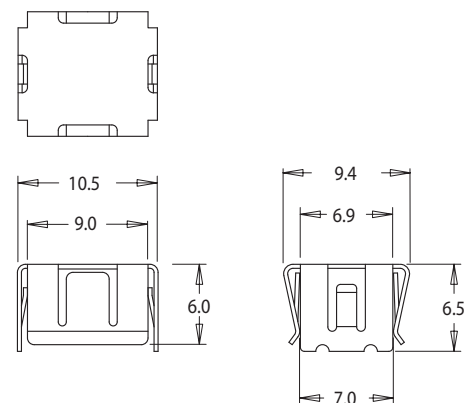
Clip material	Phosphor Bronze
Clip plating	Tin (Sn)
Solderability	"IEC 60 068-2-20", Part 2, Test Ta, method 1
Part number	EP07CLIPM-01

Dimensions in millimetres

EP 7



EP07CLIPM-03

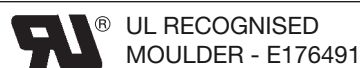


Mounting clip with earth pin

Clip material	Stainless Steel
Part number	EP07CLIPM-03

Dimensions in millimetres

Most products are available direct from stock with same day despatch - please contact sales for details



Section 6

51

Section 6



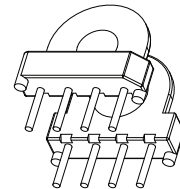
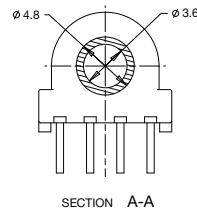
EP Ferrite Core Coil Bobbins

MILES · PLATTS

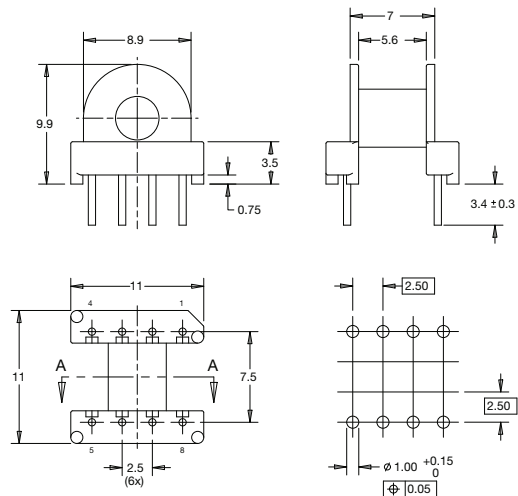
EP 10



EP10H1S08IS-00



Coil Former	
Coil former material	Phenolformaldehyde (PF), glass reinforced, flame retardant in accordance with "UL 94V-0"; UL file number E41429 (M)
Resistance to soldering heat	"IEC 60068-2-20", Part 2, Test Tb, method 1B, 350 deg. C, 3.5 s
Pin material	0.60 Dia. copper clad steel wire (ASTM.B.227) - Tin (Sn) plated
Solderability	"IEC 60068-2-20", Part 2, Test Ta, method 1, 235 deg. C, 2 s
Pin pull out force	1.5 Kg Minimum
Part number	EP10H1S08IS-00

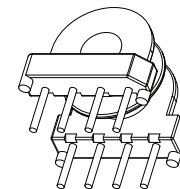
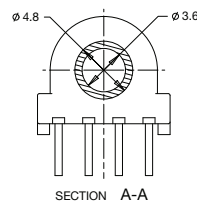


Dimensions in millimetres

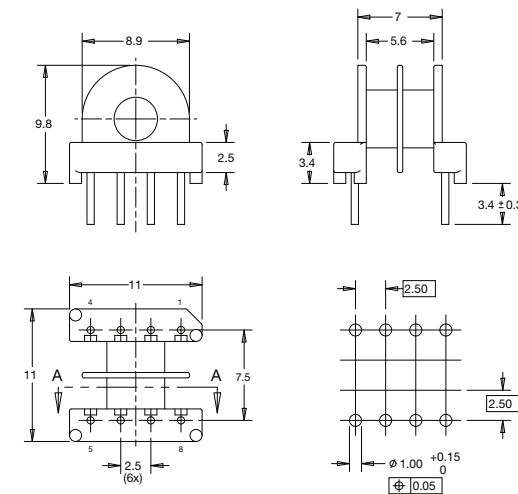
EP 10



EP10H2S08IS-00

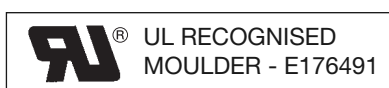


Coil Former	
Coil former material	Phenolformaldehyde (PF), glass reinforced, flame retardant in accordance with "UL 94V-0"; UL file number E41429 (M)
Resistance to soldering heat	"IEC 60068-2-20", Part 2, Test Tb, method 1B, 350 deg. C, 3.5 s
Pin material	0.60 Dia. copper clad steel wire (ASTM.B.227) - Tin (Sn) plated
Solderability	"IEC 60068-2-20", Part 2, Test Ta, method 1, 235 deg. C, 2 s
Pin pull out force	1.0 Kg Minimum
Part number	EP10H2S08IS-00



Dimensions in millimetres

For further technical information please contact sales
Tel: +44 (0) 116 264 3850 Fax: +44 (0) 116 264 3851
Email: enquiries@milesplatts.co.uk
Web: www.milesplatts.co.uk





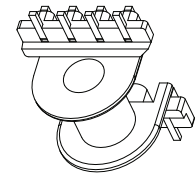
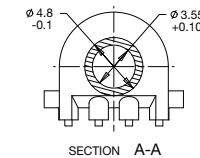
EP Ferrite Core Coil Bobbins

MILES · PLATTS

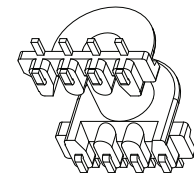
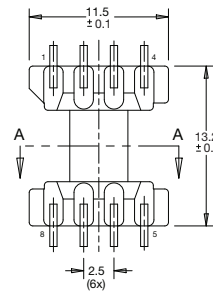
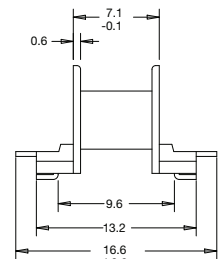
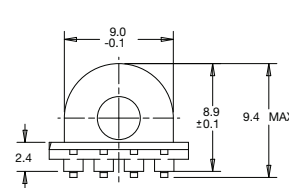
EP 10



EP10H1S08CS-00

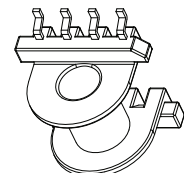
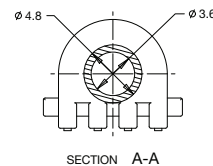


Coil Former	
Coil former material	Phenolformaldehyde (PF), glass reinforced, flame retardant in accordance with "UL 94V-0"; UL file number 41429(M)
Resistance to soldering heat	"IEC 60068-2-20", Part 2, Test Tb, method 1B, 350 deg. C, 3.5 s
Pin material	0,40 x 0,70 Phosphor bronze - Tin (Sn) plated
Solderability	"IEC 60068-2-20", Part 2, Test Ta, method 1, 235 deg. C, 2 s
Pin pull out force	1.5 Kg Minimum
Part number	EP10H1S08CS-00

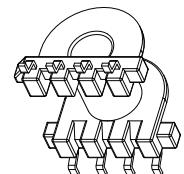
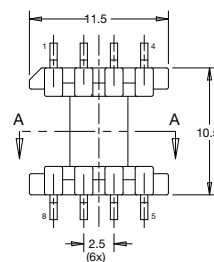
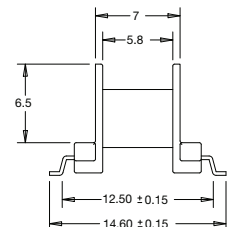
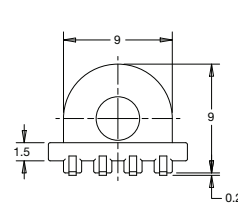


Dimensions in millimetres

EP 10



Coil Former	
Coil former material	Liquid crystal polymer (LCP), glass reinforced, flame retardant in accordance with "UL 94V-0"; UL file number E54705 (M)
Resistance to soldering heat	"IEC 60068-2-20", Part 2, Test Tb, method 1B, 350 deg. C, 3.5 s
Pin material	0,3 x 0,6 Phosphor bronze - Tin (Sn) plated
Solderability	"IEC 60068-2-20", Part 2, Test Ta, method 1, 235 deg. C, 2 s
Pin pull out force	1.5 Kg Minimum
Part number	EP10H1S08GP-00



Dimensions in millimetres

Miles Platts terminals & wire pins are lead-free - all polymers meet the REACH and RoHS directive (2002/95/EC). Please refer to www.milesplatts.co.uk for details.



Section 6

53

Section 6



EP Ferrite Core Coil Bobbins

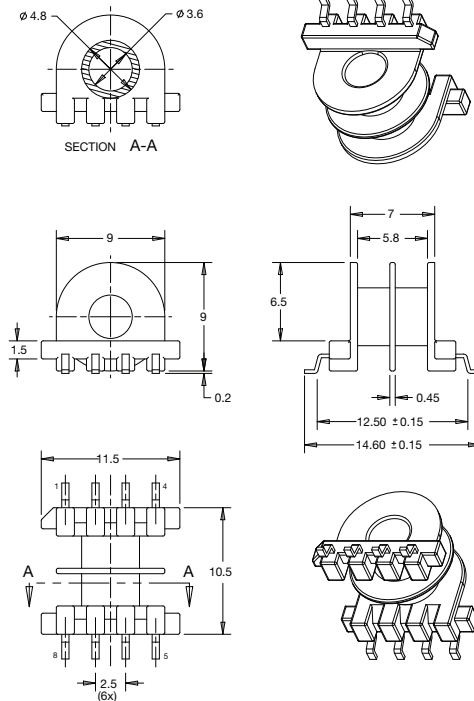
MILES · PLATTS

EP 10



EP10H2S08GP-00

Coil Former	
Coil former material	Liquid crystal polymer (LCP), glass reinforced, flame retardant in accordance with "UL 94V-0"; UL file number E54705 (M)
Resistance to soldering heat	"IEC 60068-2-20", Part 2, Test Tb, method 1B, 350 deg. C, 3.5 s
Pin material	0.3 x 0.6 Phosphor bronze - Tin (Sn) plated
Solderability	"IEC 60068-2-20", Part 2, Test Ta, method 1, 235 deg. C, 2 s
Pin pull out force	1.5 Kg Minimum
Part number	EP10H2S08GP-00



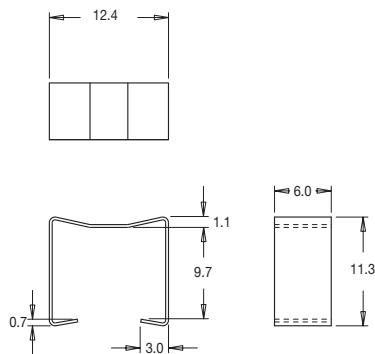
Dimensions in millimetres

EP 10



EP10CLIPM-01

Mounting Clip	
Clip material	Steel
Part No.	EP10CLIPM-01



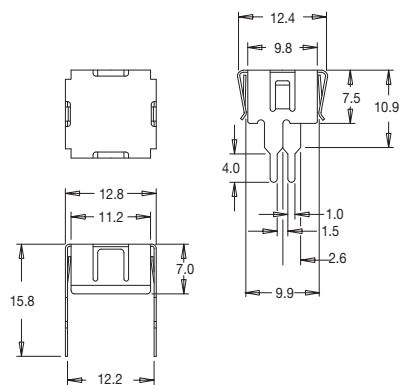
Dimensions in millimetres

EP 10



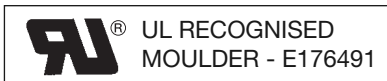
EP10CLIPEM-00

Mounting clip with earth pin	
Clip material	Steel
Clip plating	Tin (Sn)
Solderability	"IEC 60 068-2 20, Part 2, Test Ta, method 1
Part number	EP10CLIPEM-00



Dimensions in millimetres

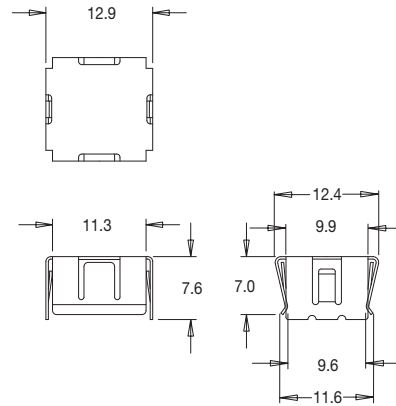
For further technical information please contact sales
 Tel: +44 (0) 116 264 3850 Fax: +44 (0) 116 264 3851
 Email: enquiries@milesplatts.co.uk
 Web: www.milesplatts.co.uk





EP Ferrite Core Coil Bobbins

EP 10



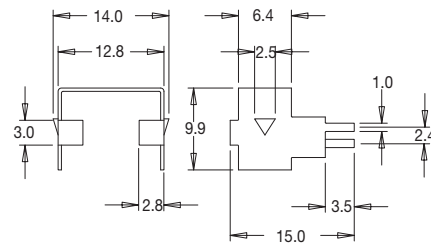
Mounting clip without earth pin	
Clip material	Steel
Part No.	EP10CLIPM-02

Dimensions in millimetres

EP 10



EP10YOKEEM-00



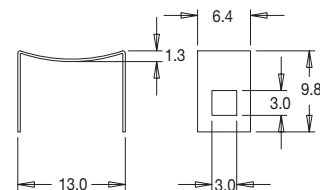
Mounting yoke	
Clip material	Steel
Clip plating	Tin (Sn)
Solderability	"IEC 60 068-2 20, Part 2, Test Ta, method 1
Part number	EP10YOKEEM-00

Dimensions in millimetres

EP 10



EP10SPRINGM-00



Mounting spring	
Clip material	Steel
Part No.	EP10SPRINGM-00

Dimensions in millimetres

Most products are available direct from stock with same day despatch - please contact sales for details





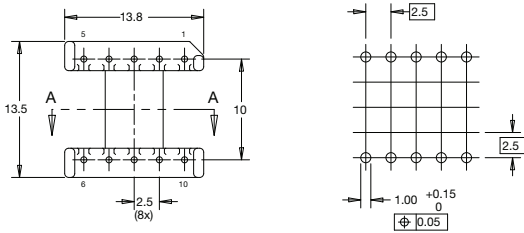
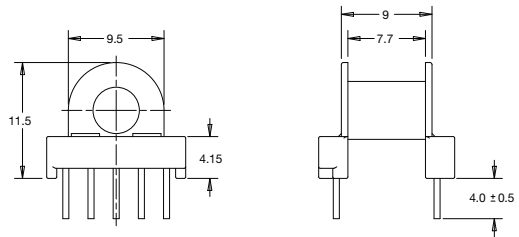
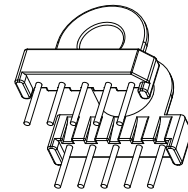
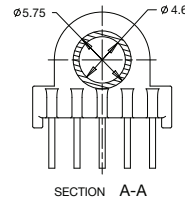
EP Ferrite Core Coil Bobbins

MILES · PLATTS

EP 13



EP13H1S10IS-00



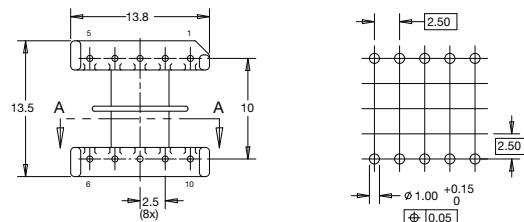
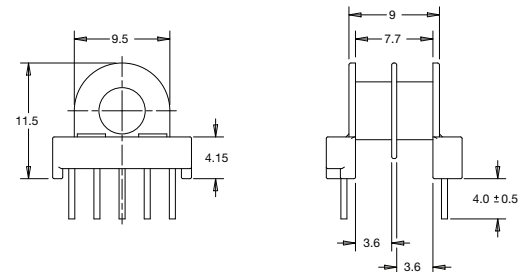
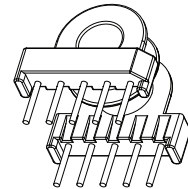
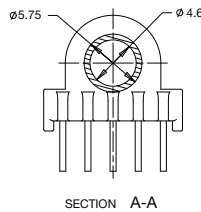
Coil Former	
Coil former material	Phenolformaldehyde (PF), glass reinforced, flame retardant in accordance with "UL 94V-0"; UL file number E41429 (M)
Resistance to soldering heat	"IEC 60068-2-20", Part 2, Test Tb, method 1B, 350 deg. C, 3.5 s
Pin material	0.60 Dia. copper clad steel wire (ASTM.B.227) - Tin (Sn) plated
Solderability	"IEC 60068-2-20", Part 2, Test Ta, method 1, 235 deg. C, 2 s
Pin pull out force	1.5 Kg Minimum
Part number	EP13H1S10IS-00

Dimensions in millimetres

EP 13



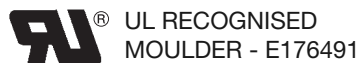
EP13H2S10IS-00



Coil Former	
Coil former material	Phenolformaldehyde (PF), glass reinforced, flame retardant in accordance with "UL 94V-0"; UL file number E41429 (M)
Resistance to soldering heat	"IEC 60068-2-20", Part 2, Test Tb, method 1B, 350 deg. C, 3.5 s
Pin material	0.60 Dia. copper clad steel wire (ASTM.B.227) - Tin (Sn) plated
Solderability	"IEC 60068-2-20", Part 2, Test Ta, method 1, 235 deg. C, 2 s
Pin pull out force	1.5 Kg Minimum
Part number	EP13H2S10IS-00

Dimensions in millimetres

For further technical information please contact sales
 Tel: +44 (0) 116 264 3850 Fax: +44 (0) 116 264 3851
 Email: enquiries@milesplatts.co.uk
 Web: www.milesplatts.co.uk





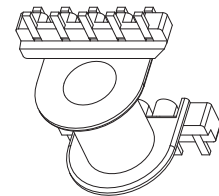
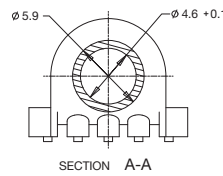
EP Ferrite Core Coil Bobbins

MILES · PLATTS

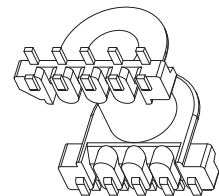
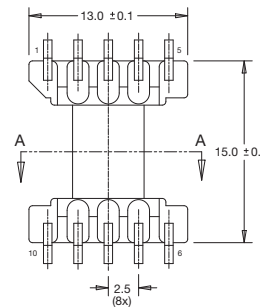
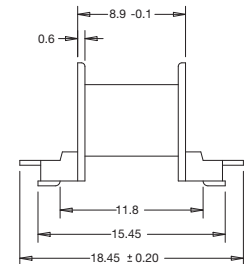
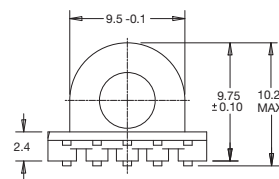
EP 13



EP13H1S10CS-00

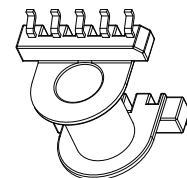
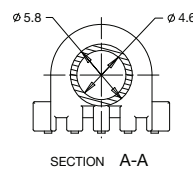


Coil Former	
Coil former material	Phenolformaldehyde (PF), glass reinforced, flame retardant in accordance with "UL 94V-0"; UL file number E41429 (M)
Resistance to soldering heat	"IEC 60068-2-20", Part 2, Test Tb, method 1B, 350 deg. C, 3.5 s
Pin material	0.40 x 0.70 Phosphor bronze - Tin (Sn) plated
Solderability	"IEC 60068-2-20", Part 2, Test Ta, method 1, 235 deg. C, 2 s
Pin pull out force	1.5 Kg Minimum
Part number	EP13H1S10CS-00

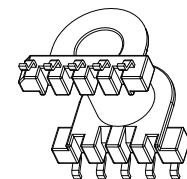
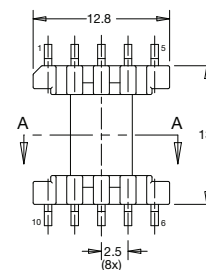
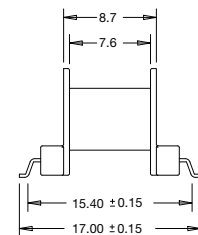
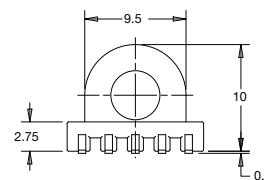


Dimensions in millimetres

EP 13

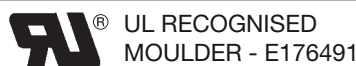


Coil Former	
Coil former material	Liquid crystal polymer (LCP), glass reinforced, flame retardant in accordance with "UL 94V-0"; UL file number E54705 (M)
Resistance to soldering heat	"IEC 60068-2-20", Part 2, Test Tb, method 1B, 350 deg. C, 3.5 s
Pin material	0.3 x 0.7 Phosphor bronze - Tin (Sn) plated
Solderability	"IEC 60068-2-20", Part 2, Test Ta, method 1, 235 deg. C, 2 s
Pin pull out force	1.5 Kg Minimum
Part number	EP13H1S10GP-00



Dimensions in millimetres

Miles Platts terminals & wire pins are lead-free - all polymers meet the REACH and RoHS directive (2002/95/EC). Please refer to www.milesplatts.co.uk for details.

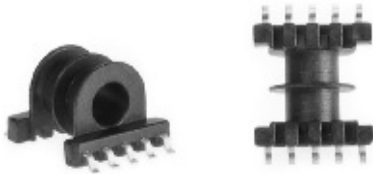




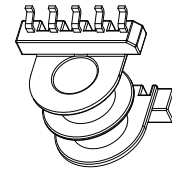
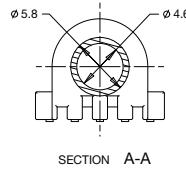
EP Ferrite Core Coil Bobbins

MILES · PLATTS

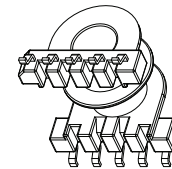
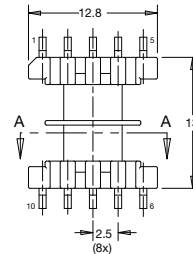
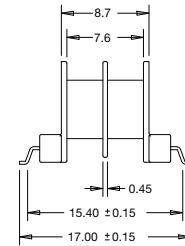
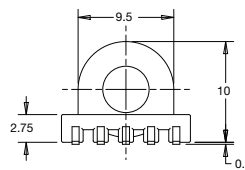
EP 13



EP13H2S10GP-00



Coil Former	
Coil former material	Liquid crystal polymer (LCP), glass reinforced, flame retardant in accordance with "UL 94V-0"; UL file number E54705 (M)
Resistance to soldering heat	"IEC 60068-2-20", Part 2, Test Tb, method 1B, 350 deg. C, 3.5 s
Pin material	0.3 x 0.7 Phosphor bronze - Tin (Sn) plated
Solderability	"IEC 60068-2-20", Part 2, Test Ta, method 1, 235 deg. C, 2 s
Pin pull out force	1.5 Kg Minimum
Part number	EP13H2S10GP-00



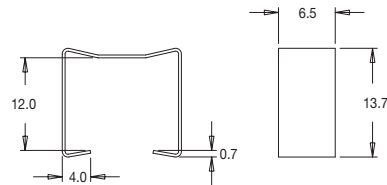
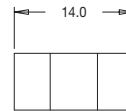
Dimensions in millimetres

EP 13



EP13CLIPM-04

Mounting Clip	
Clip material	Steel
Part No.	EP13CLIPM-04



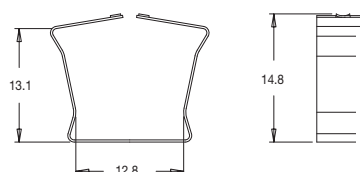
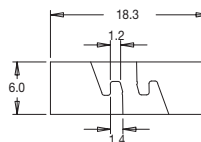
Dimensions in millimetres

EP 13



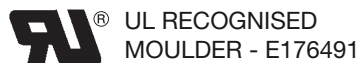
EP13CLIPM-05

Mounting Clip	
Clip material	Steel
Part No.	EP13CLIPM-05



Dimensions in millimetres

For further technical information please contact sales
 Tel: +44 (0) 116 264 3850 Fax: +44 (0) 116 264 3851
 Email: enquiries@milesplatts.co.uk
 Web: www.milesplatts.co.uk



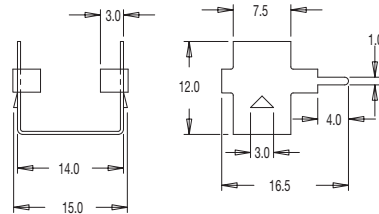
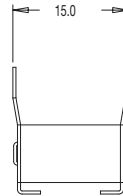


EP Ferrite Core Coil Bobbins

EP 13



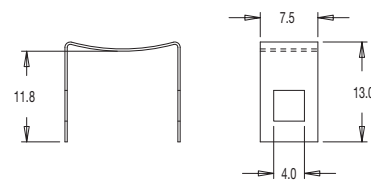
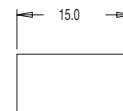
EP13YOKEEM-00



Mounting Yoke	
Clip material	Steel
Clip plating	Tin (Sn)
Solderability	IEC 60 068-2 20, Part 2, Test Ta, method 1
Part No.	EP13YOKEEM-00

Dimensions in millimetres

EP 13



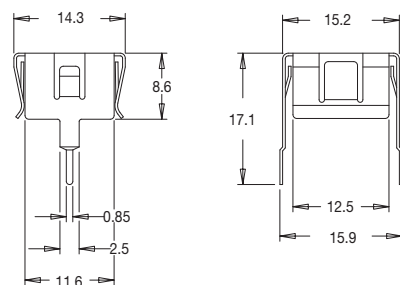
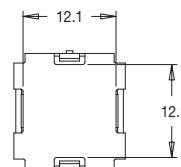
Mounting Spring	
Clip material	Steel
Part No.	EP13SPRINGM-00

Dimensions in millimetres

EP 13



EP13CLIPPEM-00



Mounting Clip with Earth Pin	
Clip material	Phosphor Bronze
Clip plating	Tin (Sn)
Solderability	IEC 60 068-2 20, Part 2, Test Ta, method 1
Part No.	EP13CLIPPEM-00

Dimensions in millimetres

Section 6



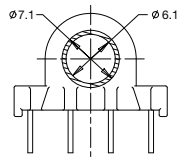
EP Ferrite Core Coil Bobbins

MILES · PLATTS

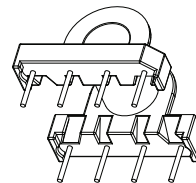
EP 17



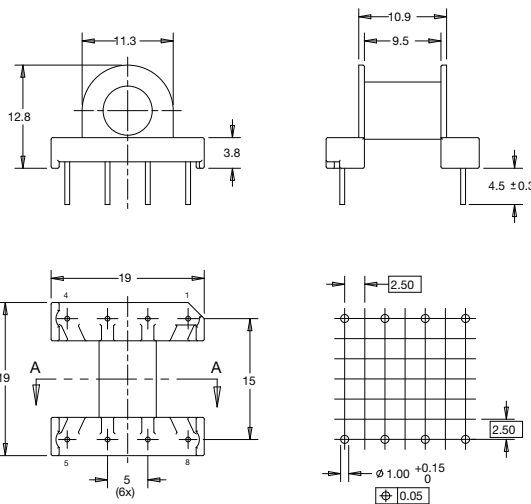
EP17H1S08IS-00



SECTION A-A



Coil Former	
Coil former material	Phenolformaldehyde (PF), glass reinforced, flame retardant in accordance with "UL 94V-0"; UL file number E41429 (M)
Resistance to soldering heat	"IEC 60068-2-20", Part 2, Test Tb, method 1B, 350 deg. C, 3.5 s
Pin material	0.60 Dia. copper clad steel wire (ASTM.B.227) - Tin (Sn) plated
Solderability	"IEC 60068-2-20", Part 2, Test Ta, method 1, 235 deg. C, 2 s
Pin pull out force	1.5 Kg Minimum
Part number	EP17H1S08IS-00



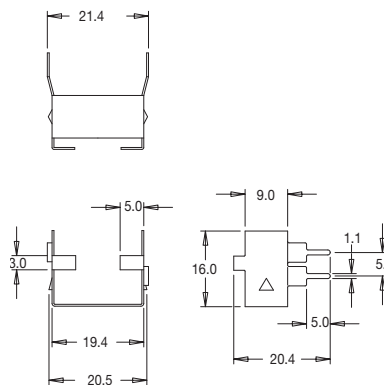
Dimensions in millimetres

EP 17



EP17YOKEEM-00

Mounting Yoke	
Clip material	Steel
Clip plating	Tin (Sn)
Solderability	"IEC 60 068-2 20, Part 2, Test Ta, method 1
Part No.	EP17YOKEEM-00



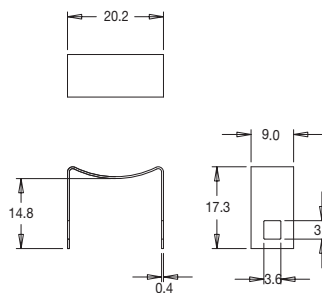
Dimensions in millimetres

EP 17



EP17SPRINGM-00

Mounting Spring	
Clip material	Steel
Part No.	EP17SPRINGM-00



Dimensions in millimetres

For further technical information please contact sales
Tel: +44 (0) 116 264 3850 Fax: +44 (0) 116 264 3851
Email: enquiries@milesplatts.co.uk
Web: www.milesplatts.co.uk



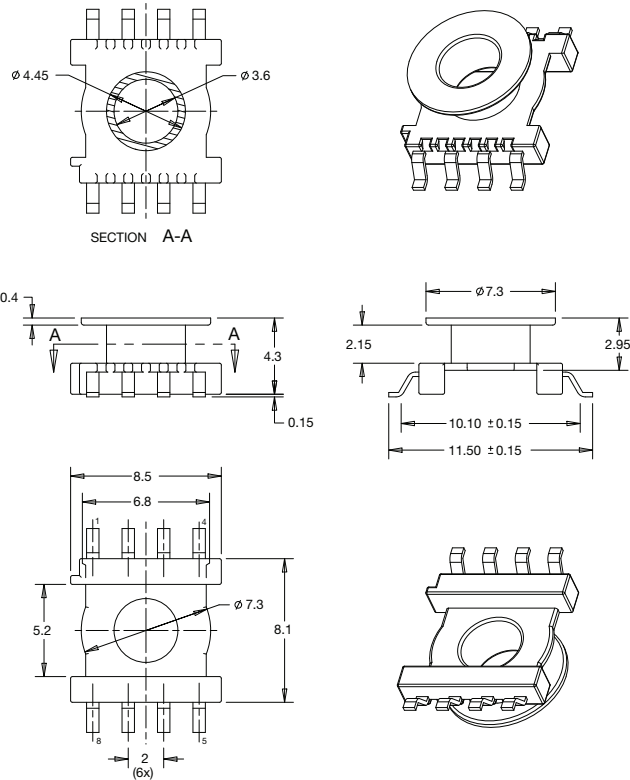


ER Ferrite Core Coil Bobbins

ER 9.5



ER09V1S08GP-00



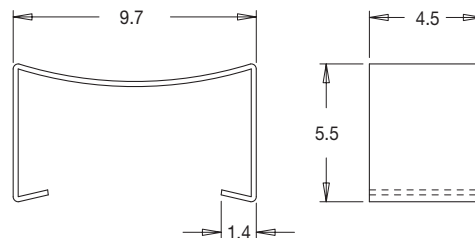
Coil Former	
Coil former material	Liquid crystal polymer (LCP), glass reinforced, flame retardant in accordance with "UL 94V-0"; UL file number E54705 (M)
Resistance to soldering heat	"IEC 60068-2-20", Part 2, Test Tb, method 1B, 350 deg. C, 3.5 s
Pin material	0.25 x 0.7 Phosphor bronze - Tin (Sn) plated
Solderability	"IEC 60068-2-20", Part 2, Test Ta, method 1, 235 deg. C, 2 s
Pin pull out force	1.5 Kg Minimum
Part number	ER09V1S08GP-00

Dimensions in millimetres

ER 9.5



ER09CLIPM-00



Mounting Clip	
Clip material	Steel
Part No.	ER09CLIPM-00

Dimensions in millimetres



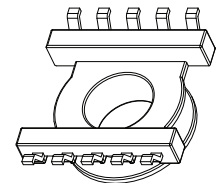
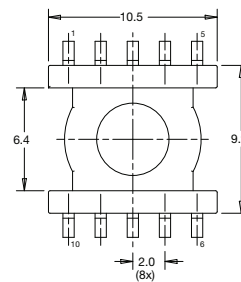
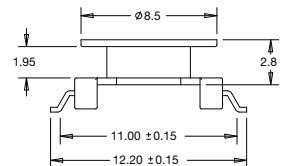
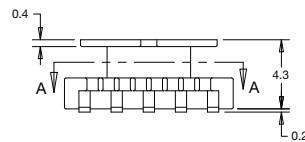
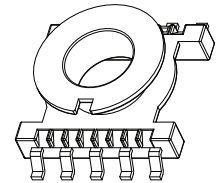
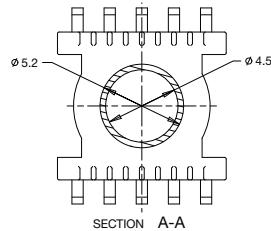
ER Ferrite Core Coil Bobbins

MILES · PLATTS

ER 11.5



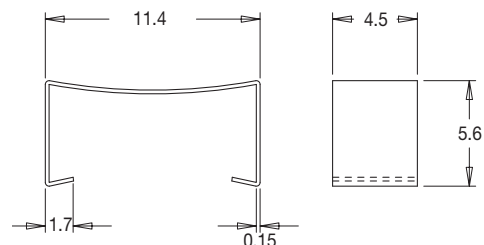
ER11V1S10GP-00



Coil Former	
Coil former material	Liquid crystal polymer (LCP), glass reinforced, flame retardant in accordance with "UL 94V-0"; UL file number E54705 (M)
Resistance to soldering heat	"IEC 60068-2-20", Part 2, Test Tb, method 1B, 350 deg. C, 3.5 s
Pin material	0.25 x 0.70 Phosphor bronze - Tin (Sn) plated
Solderability	"IEC 60068-2-20", Part 2, Test Ta, method 1, 235 deg. C, 2 s
Pin pull out force	1.5 Kg Minimum
Part number	ER11V1S10GP-00

Dimensions in millimetres

ER 11.5



Mounting Clip	
Clip material	Steel
Part No.	ER11CLIPM-00

Dimensions in millimetres

Miles Platts terminals & wire pins are lead-free - all polymers meet the REACH and RoHS directive (2002/95/EC). Please refer to www.milesplatts.co.uk for details.



Section 6

63

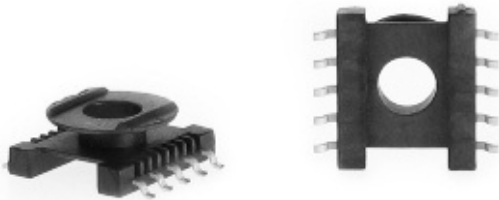
Section 6



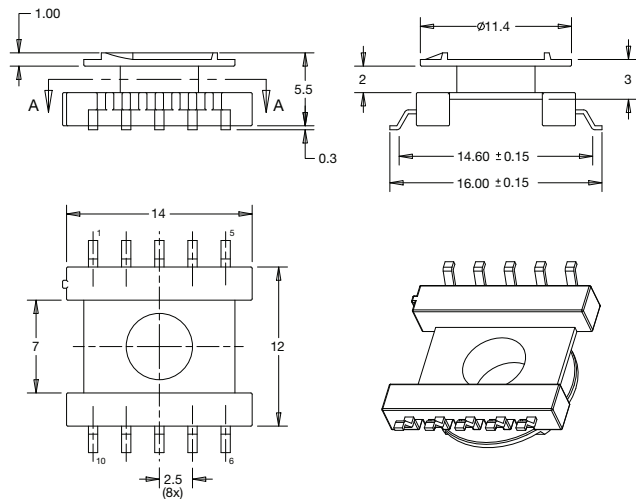
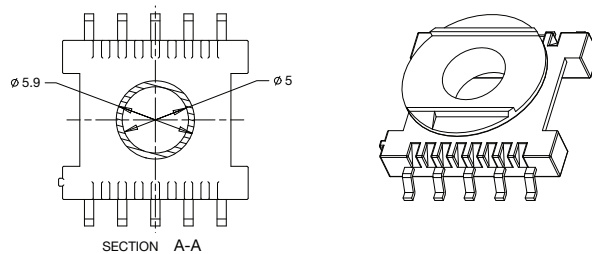
ER Ferrite Core Coil Bobbins

MILES · PLATTS

ER 14.5



ER14V1S10GP-00



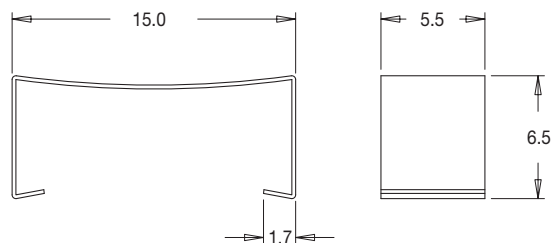
Coil Former	
Coil former material	Liquid crystal polymer (LCP), glass reinforced, flame retardant in accordance with "UL 94V-0"; UL file number E54705 (M)
Resistance to soldering heat	"IEC 60068-2-20", Part 2, Test Tb, method 1B, 350 deg. C, 3.5 s
Pin material	0.3 x 0.7 Phosphor bronze - Tin (Sn) plated
Solderability	"IEC 60068-2-20", Part 2, Test Ta, method 1, 235 deg. C, 2 s
Pin pull out force	1.5 Kg Minimum
Part number	ER14V1S10GP-00

Dimensions in millimetres

ER 14.5



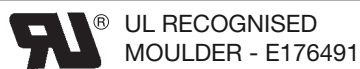
ER14CLIPM-00



Mounting Clip	
Clip material	Steel
Part No.	ER14CLIPM-00

Dimensions in millimetres

For further technical information please contact sales
 Tel: +44 (0) 116 264 3850 Fax: +44 (0) 116 264 3851
 Email: enquiries@milesplatts.co.uk
 Web: www.milesplatts.co.uk



Section 6

64

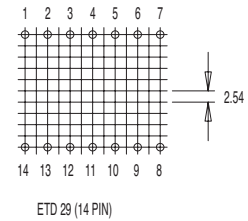
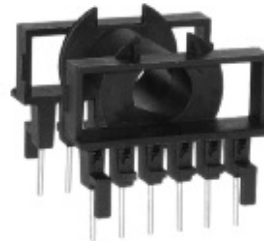
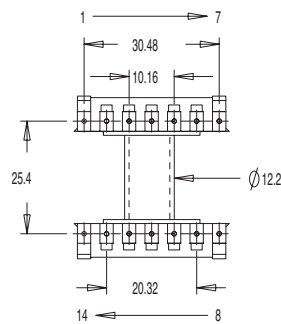
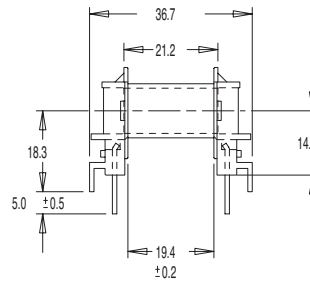
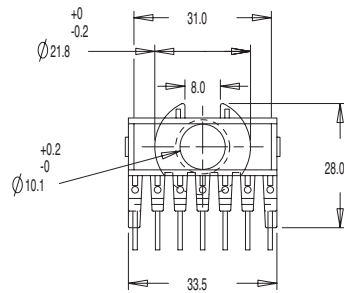
Section 6



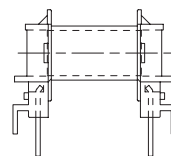
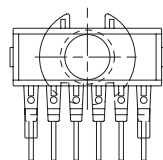
ETD Ferrite Core Coil Bobbins

MILES · PLATTS

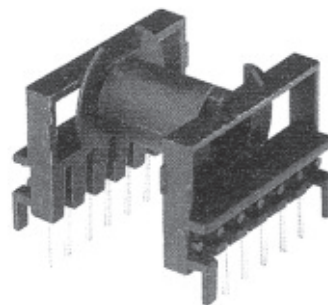
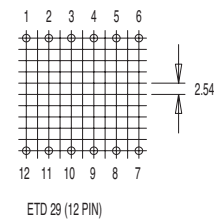
ETD 29 HORIZONTAL



FD6980FR3BLK0001



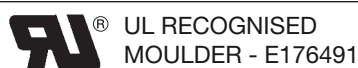
Other dimensions as above



Bobbin size	No. of pins	Pin size	Part No.
ETD 29/16/10	12 (2 x 6)	Ø1.0 or 0.8 sq.	FD6980
ETD 29/16/10	14 (2 x 7)	Ø1.0 or 0.8 sq.	FD6990

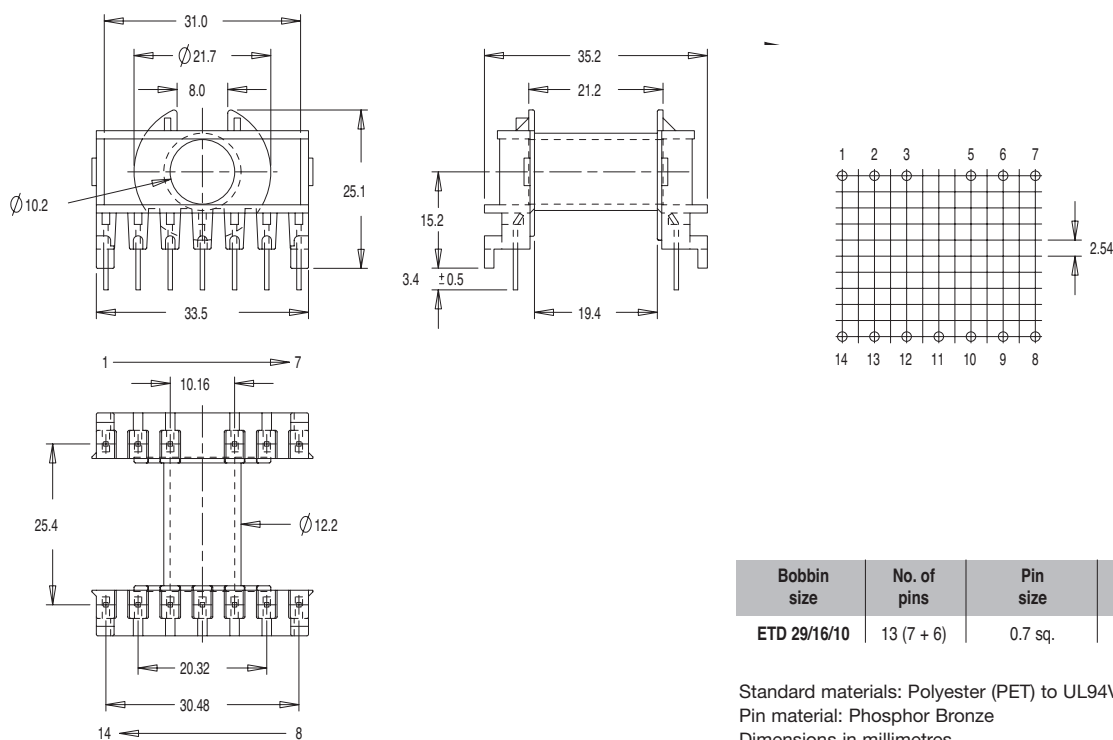
Standard materials: Polyester (PET) to UL94V0 Pin material: Phosphor Bronze Dimensions in millimetres

Miles-Platts are technical moulders - we manufacture more than bobbins - please contact sales for details



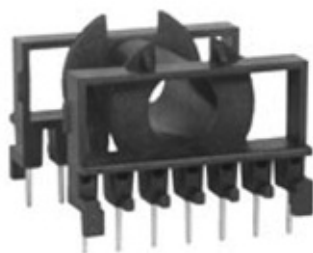


ETD 29 HORIZONTAL (LOW PROFILE)



Bobbin size	No. of pins	Pin size	Part No.
ETD 29/16/10	13 (7 + 6)	0.7 sq.	FD6970

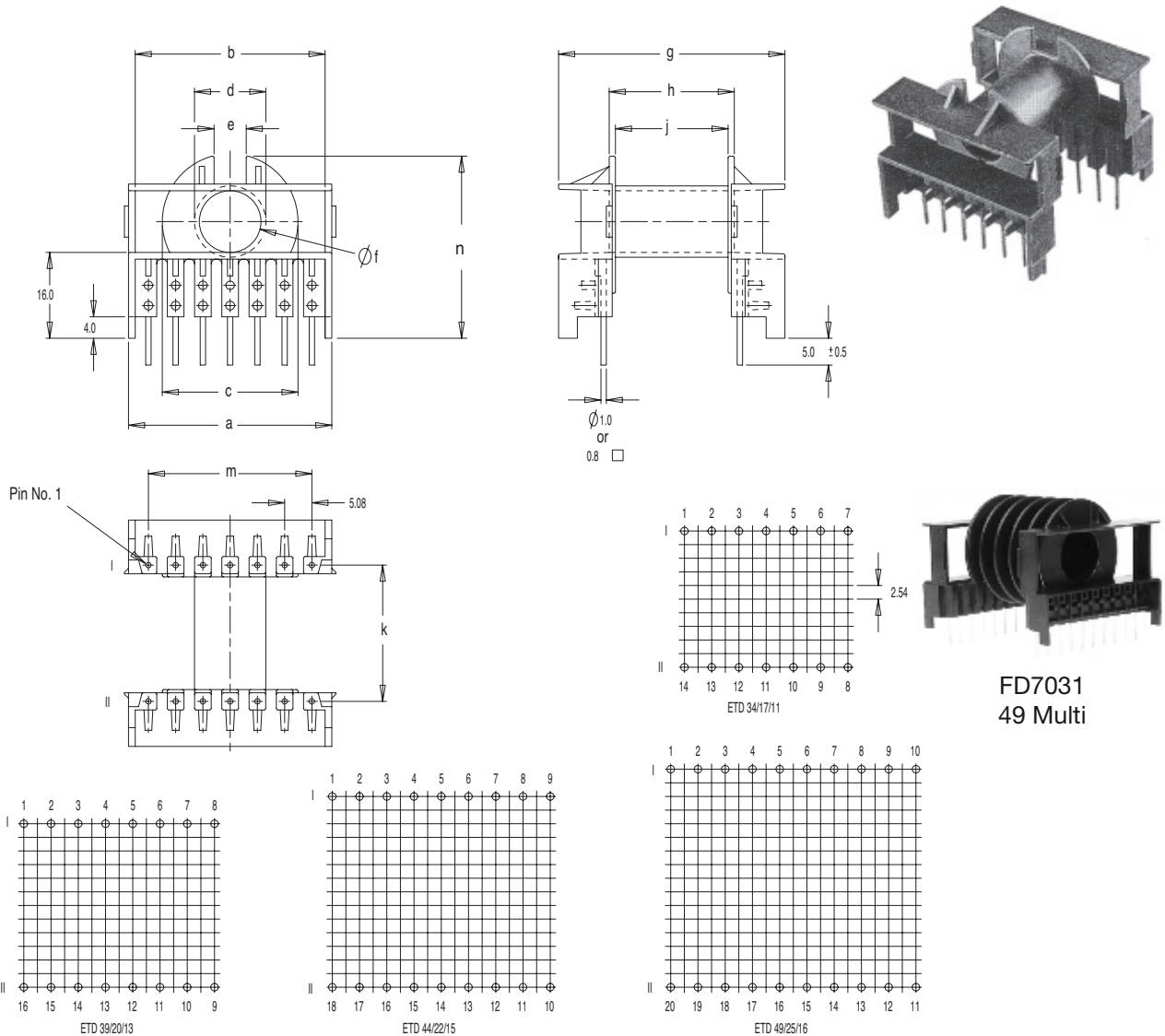
Standard materials: Polyester (PET) to UL94V0
 Pin material: Phosphor Bronze
 Dimensions in millimetres



FD6970



ETD HORIZONTAL



Section 6

Bobbin size	No. of pins available	Pin size	a	b	c	d	e	f	g	h	j	k	m	n	Part No.
ETD 34/17/11	14 (2 x 7)	Ø1.0mm or 0.8 Sq.	37.9	35.4	25.3	13.3	6.0	11.5	42.2	23.3	21.0	25.4	30.48	34.0	FD7000
ETD 39/20/13	16 (2 x 8)	Ø1.0mm or 0.8 Sq.	42.9	40.3	29.0	15.0	7.5	13.1	47.6	28.1	25.8	30.48	35.56	36.6	FD7010
ETD 44/22/15	18 (2 x 9)	Ø1.0mm or 0.8 Sq.	48.0	45.4	32.2	17.4	9.0	15.6	52.3	31.9	29.6	35.56	40.64	39.3	FD7020
ETD 49/25/16	20 (2 x 10)	Ø1.0mm or 0.8 Sq.	52.9	50.2	35.8	18.9	10.0	17.1	57.0	35.1	32.8	40.64	45.72	41.7	FD7030
ETD 49/25/16	20 (2 x 10)	5 chamber version of FD7030	52.9	50.2	35.8	18.9	10.0	17.1	57.0	35.1	32.8	40.64	45.72	41.7	FD7031*
ETD 54/27/18	24 (2 x 12)	Ø1.0mm or 0.8 Sq.	61.0	56.3	39.5	22.0	12.0	19.8	61.0	39.3	36.8	45.7	55.88	42.0	FD7040
ETD 59/31/21	24 (2 x 12)	Ø1.0mm or 0.8 Sq.	66.5	61.7	42.9	24.8	11.0	22.5	66.0	43.7	41.2	50.8	60.96	48.1	FD7050

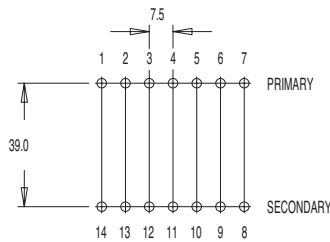
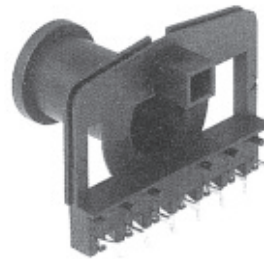
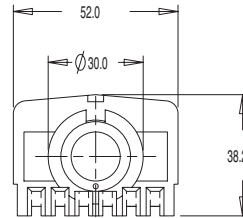
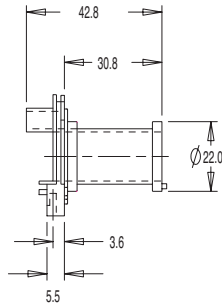
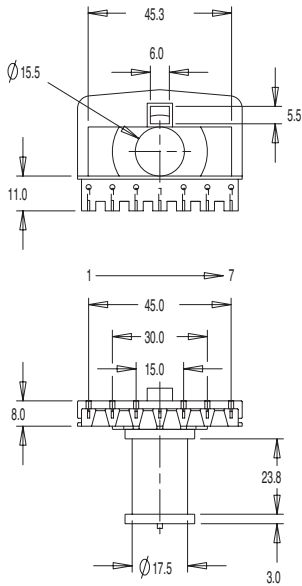
*5 equal chambers at 5.6mm.
Standard materials: Polyester (PET) to UL94V0 Pin material: Phosphor Bronze Dimensions in millimetres

Miles Platts terminals & wire pins are lead-free - all polymers meet the REACH and RoHS directive (2002/95/EC). Please refer to www.milesplatts.co.uk for details.





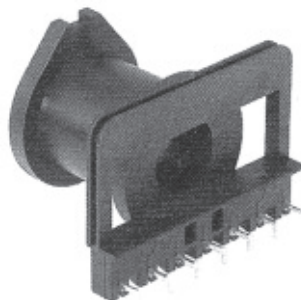
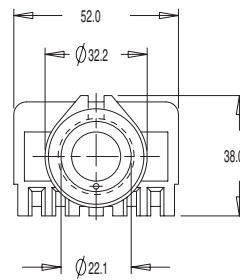
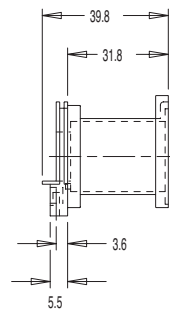
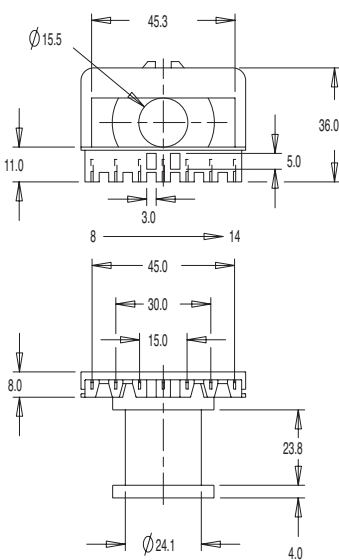
ETD 44 PRIMARY



Bobbin size	No. of terminals	Terminal type	Part No.
ETD 44 Primary	7 (1 x 7)	TBS 600 Series	FD7025

Standard materials: Nylon 66 glass reinforced to UL94V0
Dimensions in millimetres

ETD 44 SECONDARY



Bobbin size	No. of terminals	Terminal type	Part No.
ETD 44 Secondary	7 (1 x 7)	TBS 600 Series	FD7026

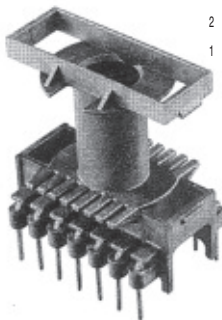
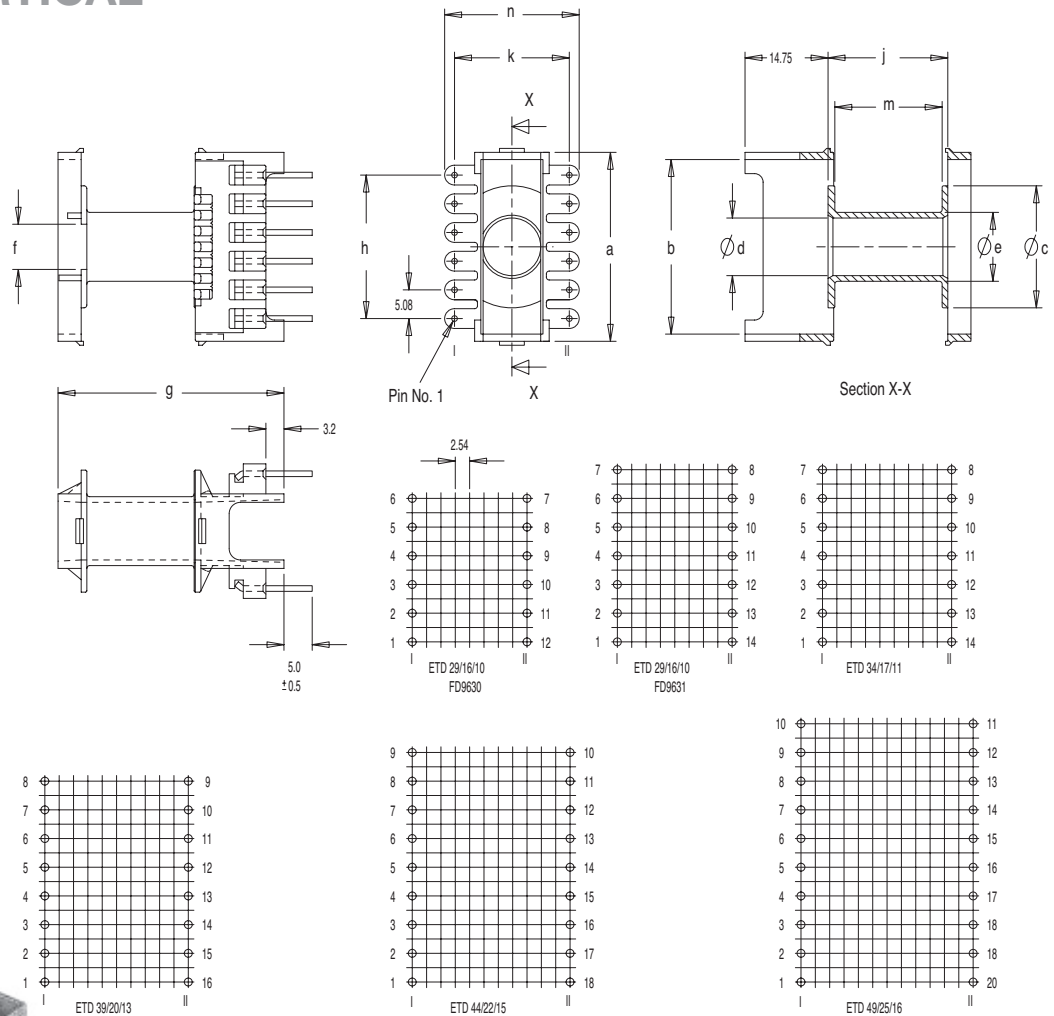
Standard materials: Nylon 66 glass reinforced to UL94V0
Dimensions in millimetres



ETD Ferrite Core Coil Bobbins

MILES · PLATTS

ETD VERTICAL



FD9631

Bobbin size	No. of pins available	Pin size	a	b	c	d	e	f	g	h	j	k	m	n	Part No.
ETD 29/16/10	12 (2 x 6)	Ø1.0mm or 0.8 Sq.	33.4	30.9	21.6	10.2	12.2	8.0	40.0	25.40	21.2	20.32	19.0	23.7	FD9630
ETD 29/16/10	14 (2 x 7)	Ø1.0mm or 0.8 Sq.	33.4	30.9	21.6	10.2	12.2	8.0	40.0	30.48	21.2	20.32	19.0	23.7	FD9631
ETD 34/17/11	14 (2 x 7)	Ø1.0mm or 0.8 Sq.	37.9	35.4	25.3	11.5	13.5	8.0	42.6	30.48	23.3	22.86	21.0	26.4	FD9640
ETD 39/20/13	16 (2 x 8)	Ø1.0mm or 0.8 Sq.	42.8	40.3	29.0	13.1	15.3	9.0	47.3	35.56	28.1	25.40	25.8	29.0	FD9650
ETD 44/22/15	18 (2 x 9)	Ø1.0mm or 0.8 Sq.	48.0	45.5	32.2	15.6	17.8	10.0	51.7	40.64	31.9	27.94	29.6	32.2	FD9660
ETD 49/25/16	20 (2 x 10)	Ø1.0mm or 0.8 Sq.	52.8	50.2	35.8	17.1	19.3	11.0	55.7	45.72	35.2	30.48	32.8	35.8	FD9670

Standard materials: Polyester (PET) to UL94V0 Pin material: Phosphor Bronze Dimensions in millimetres

Miles-Platts are technical moulders - we manufacture more than bobbins - please contact sales for details



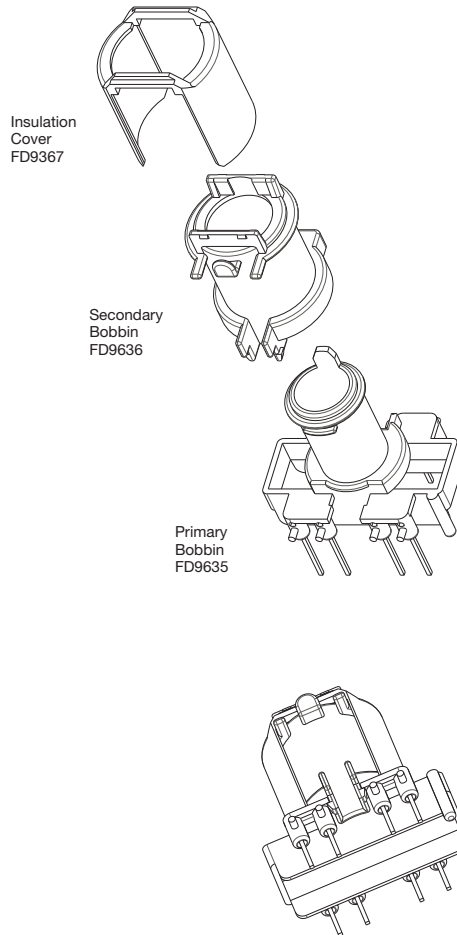
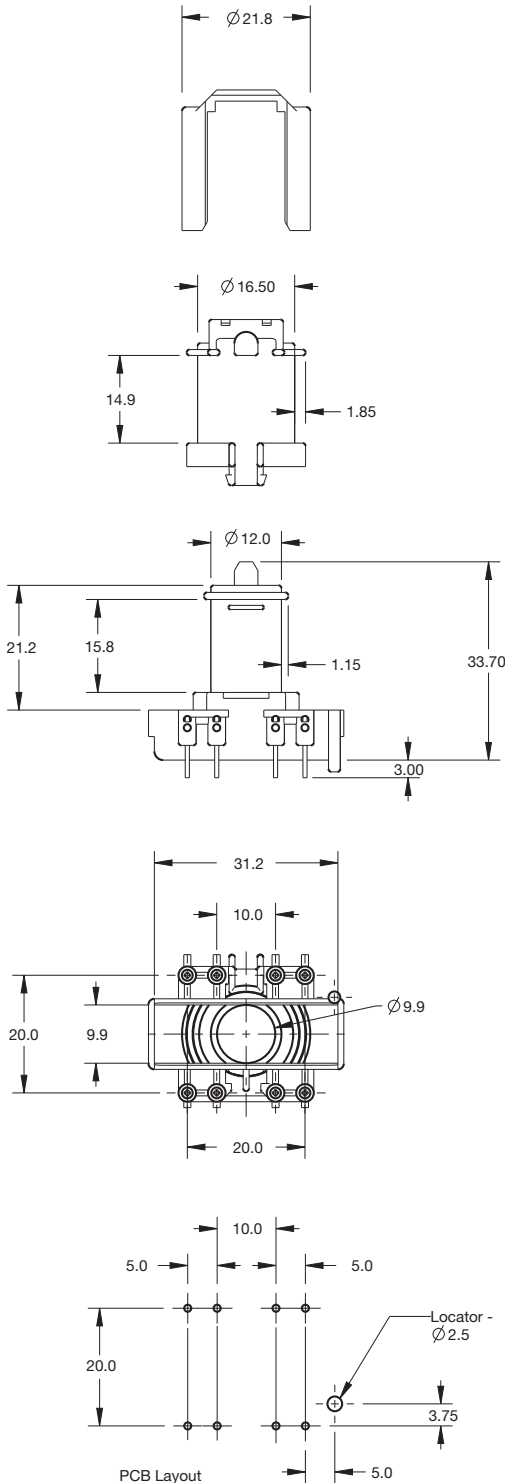
Section 6

69

Section 6



ETD 29 CONCENTRIC



Bobbin Size	Description	No. of pins available	Pin Size	Part No.
ETD29	Primary	8	0.70sq.	FD9635
ETD29	Secondary	-	-	FD9636
ETD29	Insulation Cover	-	-	FD9637

Standard Material: Nylon 66 glass reinforced to UL94V0
 Pin Material: Phosphor bronze. Dimensions in millimetres

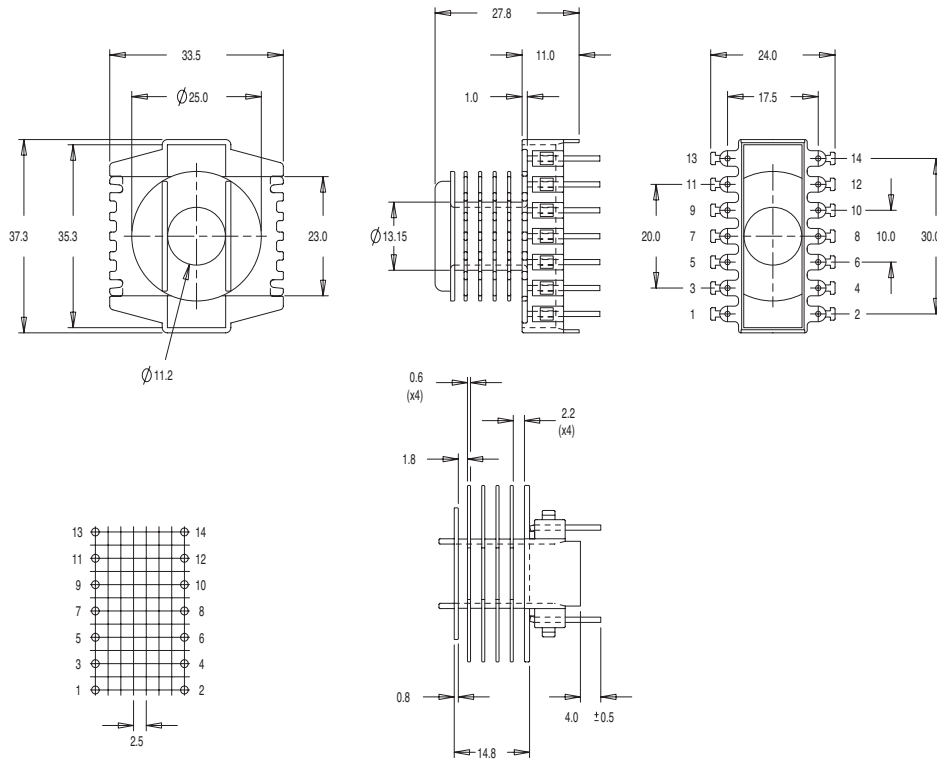
Section 6



ETD Ferrite Core Coil Bobbins

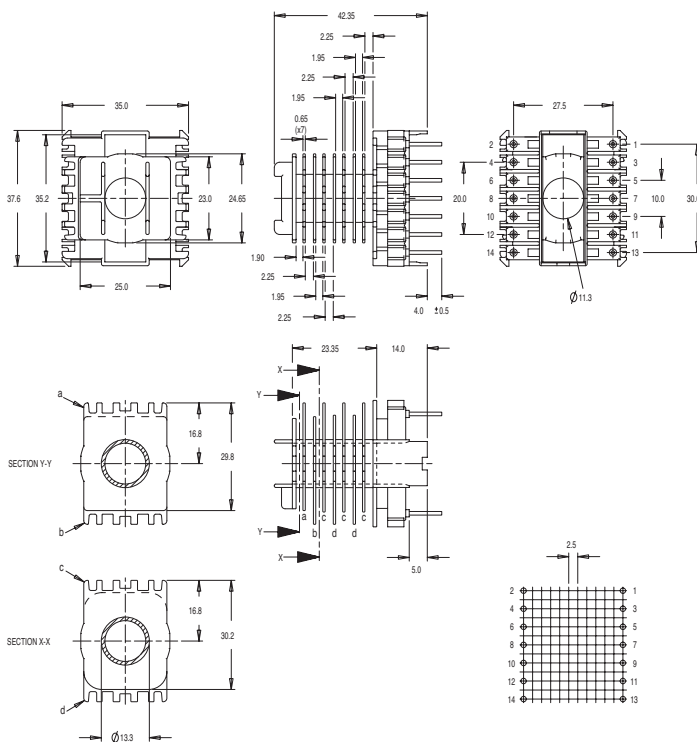
MILES · PLATTS

ETD 34 VERTICAL (5 Chamber)



FD9645

ETD 34 VERTICAL (8 Chamber)

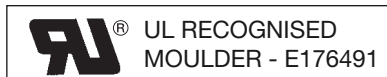


FD9648

Bobbin size	No. of pins available	Pin size	Part No.
ETD 34 (5 Chamber)	14 (2 x 7)	Ø1.0	FD9645
ETD 34 (8 Chamber)	14 (2 x 7)	Ø1.0	FD9648

Standard materials: Nylon 66 glass reinforced to UL94V0
 Pin material: Phosphor Bronze
 Dimensions in millimetres

Most products are available direct from stock with same day despatch - please contact sales for details



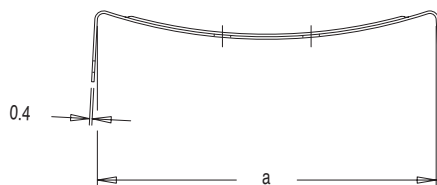
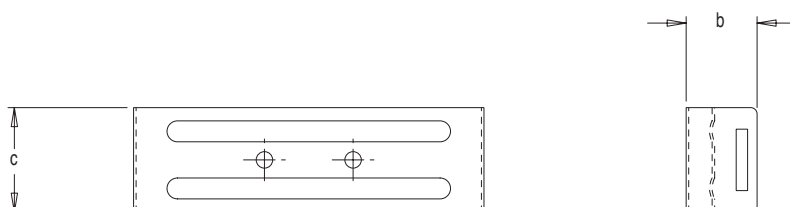
Section 6

71

Section 6



CLIPS FOR ETD FERRITES



Section 6

Bobbin size	a	b	c	Part No.
ETD 29	33.8	8.9	8.8	TCL29
ETD 34	38.0	9.5	11.1	TCL34
ETD 39	43.7	10.0	12.6	TCL39
ETD 44	48.2	11.1	15.0	TCL44
ETD 49	53.5	11.0	16.5	TCL49
ETD 54	60.0	11.7	19.3	TCL54
ETD 59	65.4	12.9	22.1	TCL59

Materials: Stainless steel Dimensions in millimetres

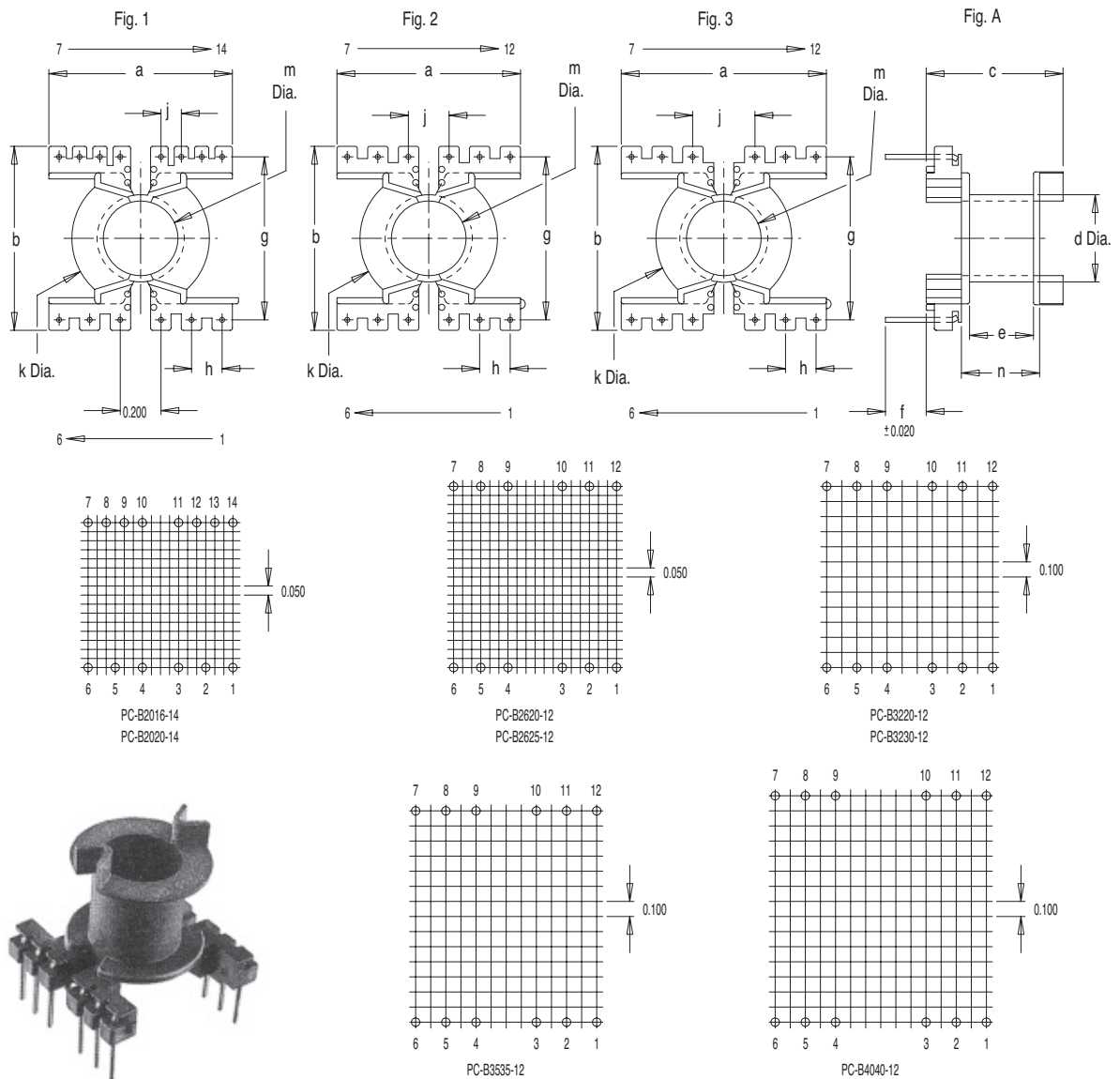


TCL59



PQ Ferrite Core Coil Formers

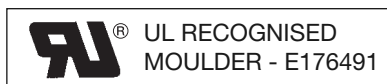
MILES · PLATTS



Bobbin size	Fig.	No. of pins available	Pin Dia.	a	b	c	d	e	f	g	h	j	k	m	n	Part No.
PC-B2016-14	1-A	14 (1 x 8) + (1 x 6)	0.028*	0.900	0.903	0.718	0.428	0.315	0.200	0.800	0.150	0.100	0.675	0.366	0.383	PQ0010*
PC-B2020-14	1-A	14 (1 x 8) + (1 x 6)	0.028*	0.900	0.903	0.874	0.428	0.470	0.200	0.800	0.150	0.100	0.675	0.366	0.539	PQ0020*
PC-B2620-12	2-A	12 (2 x 6)	0.036	1.043	1.150	0.852	0.559	0.354	0.290	1.000	0.150	0.300	0.850	0.492	0.428	PQ0030
PC-B2625-12	2-A	12 (2 x 6)	0.036	1.043	1.150	1.033	0.559	0.535	0.290	1.000	0.150	0.300	0.850	0.492	0.609	PQ0040
PC-B3220-12	2-A	12 (2 x 6)	0.036	1.260	1.340	0.890	0.626	0.357	0.250	1.200	0.200	0.300	1.047	0.553	0.427	PQ0050
PC-B3230-12	2-A	12 (2 x 6)	0.036	1.260	1.340	1.285	0.626	0.740	0.250	1.200	0.200	0.300	1.047	0.553	0.812	PQ0060
PC-B3535-12	2-A	12 (2 x 6)	0.036	1.375	1.540	1.463	0.660	0.878	0.250	1.400	0.200	0.400	1.224	0.589	0.958	PQ0070
PC-B4040-12	3-A	12 (2 x 6)	0.036	1.375	1.650	1.660	0.685	1.055	0.250	1.500	0.200	0.600	1.417	0.610	1.128	PQ0080
PC-B5050-12		12 (2 x 6)	0.047	Check with sales office for availability												PQ0080

* PQ0010 & PQ0020 also available with 0.025" Sq. Phosphor Bronze pins
 Standard materials: Polyester (PET) Pin material: Phosphor Bronze (Except PC-5050-12)
 PC-5050-12: Moulded in Phenolic material. Pin material: Steel
 Higher solder temperature versions available in Stanyl TE250F6 material
 Dimensions in inches

Miles Platts terminals & wire pins are lead-free - all polymers meet the REACH and RoHS directive (2002/95/EC). Please refer to www.milesplatts.co.uk for details.





RM Ferrite Core Coil Bobbins

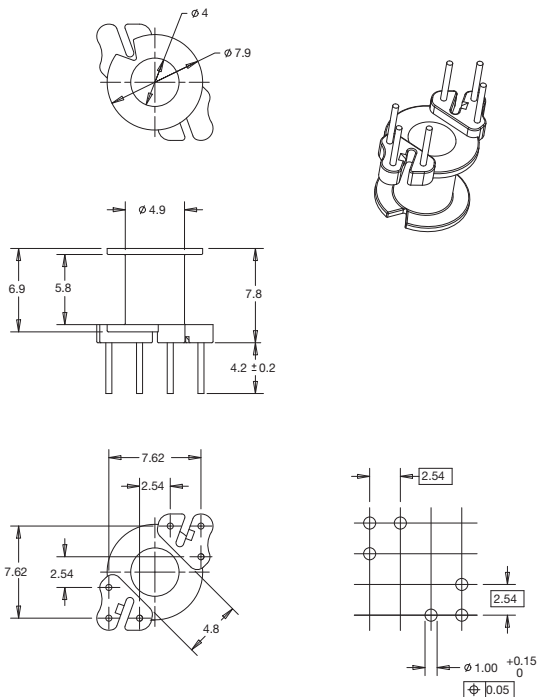
MILES · PLATTS

RM 4



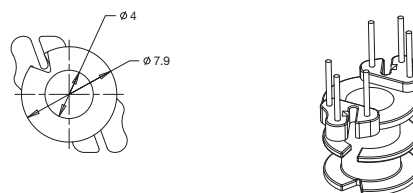
RM04V1S06IS-00

Coil Former	
Coil former material	Phenolformaldehyde (PF), glass reinforced, flame retardant in accordance with "UL 94V-0"; UL file number E41429 (M)
Resistance to soldering heat	"IEC 60068-2-20", Part 2, Test Tb, method 1B, 350 deg. C, 3.5 s
Pin material	0,45 Dia. copper clad steel wire (ASTM.B.227) - Tin (Sn) plated
Solderability	"IEC 60068-2-20", Part 2, Test Ta, method 1, 235 deg. C, 2 s
Pin pull out force	0.7 Kg Minimum
Part number	RM04V1S06IS-00

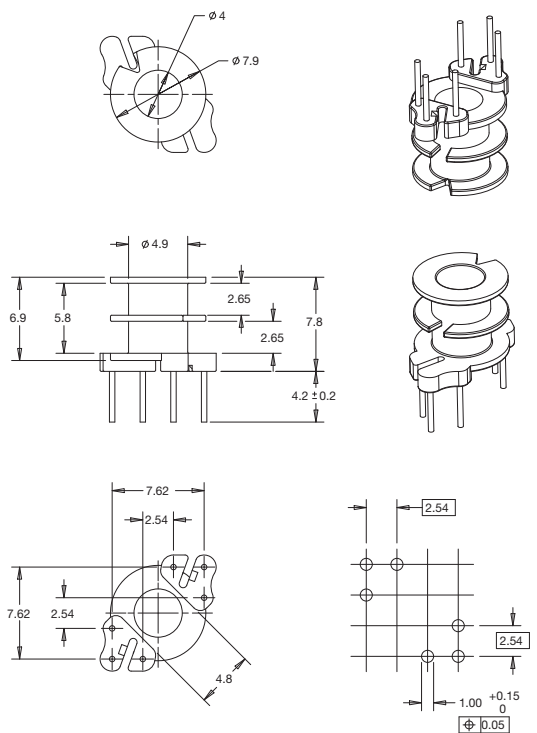


Dimensions in millimetres

RM 4

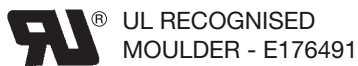


Coil Former	
Coil former material	Phenolformaldehyde (PF), glass reinforced, flame retardant in accordance with "UL 94V-0"; UL file number E41429 (M)
Resistance to soldering heat	"IEC 60068-2-20", Part 2, Test Tb, method 1B, 350 deg. C, 3.5 s
Pin material	0,45 Dia. copper clad steel wire (ASTM.B.227) - Tin (Sn) plated
Solderability	"IEC 60068-2-20", Part 2, Test Ta, method 1, 235 deg. C, 2 s
Pin pull out force	1.5 Kg Minimum
Part number	RM04V2S06IS-00



Dimensions in millimetres

For further technical information please contact sales
 Tel: +44 (0) 116 264 3850 Fax: +44 (0) 116 264 3851
 Email: enquiries@milesplatts.co.uk
 Web: www.milesplatts.co.uk



Section 6

74



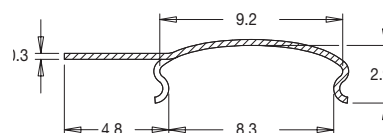
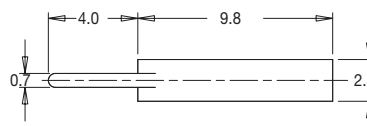
RM Ferrite Core Coil Bobbins

MILES · PLATTS

RM 4



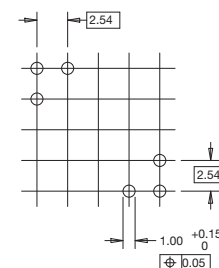
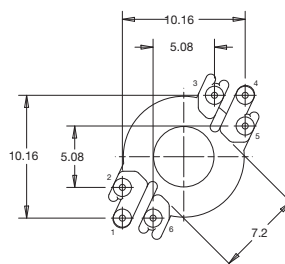
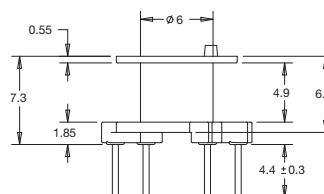
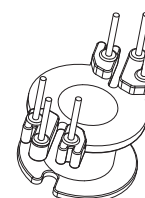
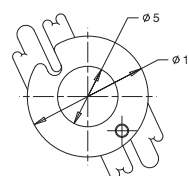
RM04CLIPEM-00



Mounting clip with earth pin	
Clip material	Steel
Clip plating	Tin (Sn)
Solderability	"IEC 60 068-2-20", Part 2, Test Ta, method 1
Part number	RM04CLIPEM-00

Dimensions in millimetres

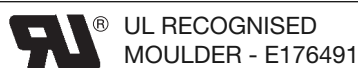
RM 5



Coil Former	
Coil former material	Phenolformaldehyde (PF), glass reinforced, flame retardant in accordance with "UL 94V-0"; UL file number E41429 (M)
Resistance to soldering heat	"IEC 60068-2-20", Part 2, Test Tb, method 1B, 350 deg. C, 3.5 s
Pin material	0,50 Dia. copper clad steel wire (ASTM.B.227) - Tin (Sn) plated
Solderability	"IEC 60068-2-20", Part 2, Test Ta, method 1, 235 deg. C, 2 s
Pin pull out force	0.7 Kg Minimum
Part number	RM05V1S06IS-00

Dimensions in millimetres

Most products are available direct from stock with same day despatch - please contact sales for details



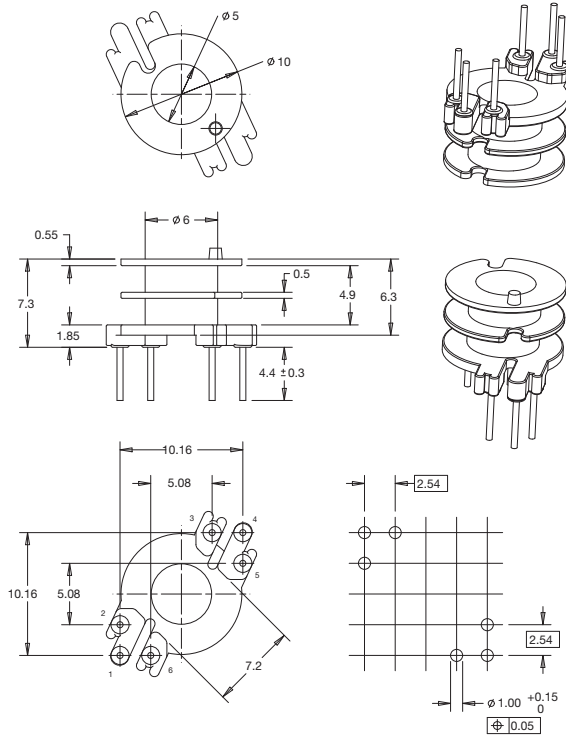


RM Ferrite Core Coil Bobbins

MILES · PLATTS

RM 5

Coil Former	
Coil former material	Phenolformaldehyde (PF), glass reinforced, flame retardant in accordance with "UL 94V-0"; UL file number E41429 (M)
Resistance to soldering heat	"IEC 60068-2-20", Part 2, Test Tb, method 1B, 350 deg. C, 3.5 s
Pin material	0.50 Dia. copper clad steel wire (ASTM.B.227) - Tin (Sn) plated
Solderability	"IEC 60068-2-20", Part 2, Test Ta, method 1, 235 deg. C, 2 s
Pin pull out force	0.7 Kg Minimum
Part number	RM05V2S06IS-00



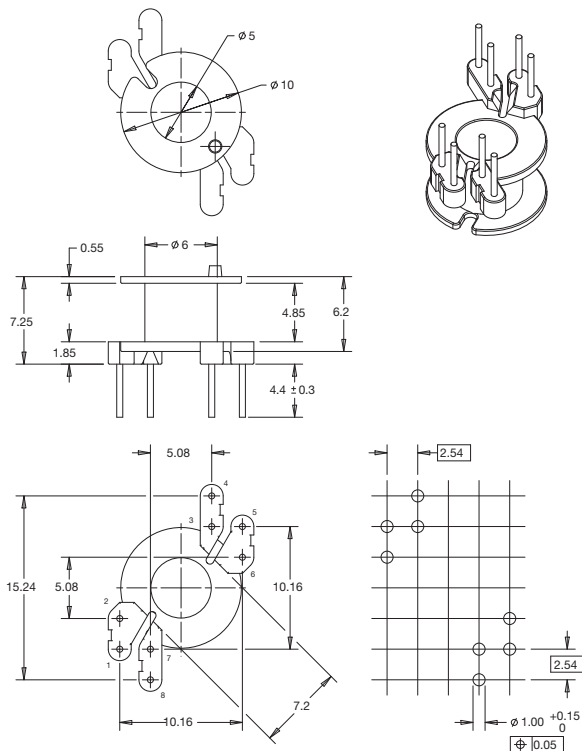
Dimensions in millimetres

RM 5



RM05V1S08IS-00

Coil Former	
Coil former material	Phenolformaldehyde (PF), glass reinforced, flame retardant in accordance with "UL 94V-0"; UL file number E41429 (M)
Resistance to soldering heat	"IEC 60068-2-20", Part 2, Test Tb, method 1B, 350 deg. C, 3.5 s
Pin material	0.50 Dia. copper clad steel wire (ASTM.B.227) - Tin (Sn) plated
Solderability	"IEC 60068-2-20", Part 2, Test Ta, method 1, 235 deg. C, 2 s
Pin pull out force	0.7 Kg Minimum
Part number	RM05V1S08IS-00



Dimensions in millimetres

For further technical information please contact sales
 Tel: +44 (0) 116 264 3850 Fax: +44 (0) 116 264 3851
 Email: enquiries@milesplatts.co.uk
 Web: www.milesplatts.co.uk





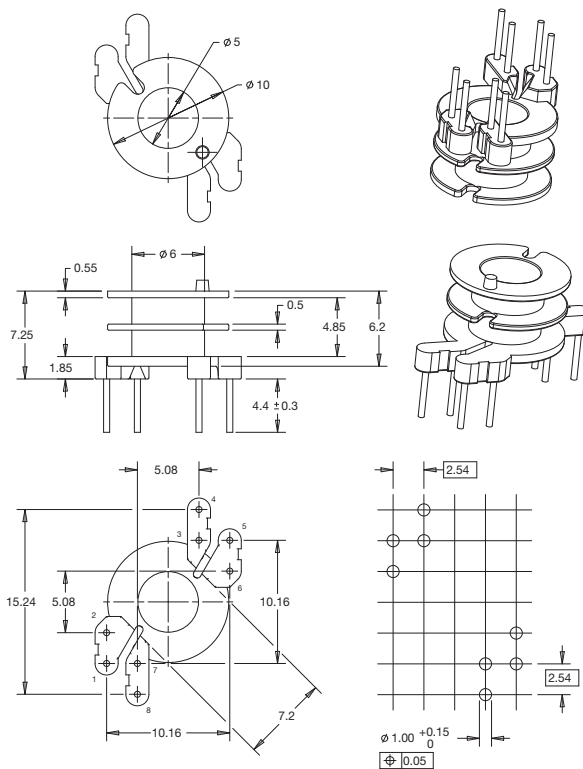
RM Ferrite Core Coil Bobbins

MILES · PLATTS

RM 5

Coil Former	
Coil former material	Phenolformaldehyde (PF), glass reinforced, flame retardant in accordance with "UL 94V-0"; UL file number E41429 (M)
Resistance to soldering heat	"IEC 60068-2-20", Part 2, Test Tb, method 1B, 350 deg. C, 3.5 s
Pin material	0.50 Dia. copper clad steel wire (ASTM.B.227) - Tin (Sn) plated
Solderability	"IEC 60068-2-20", Part 2, Test Ta, method 1, 235 deg. C, 2 s
Pin pull out force	0.7 Kg Minimum
Part number	RM05V2S08IS-00

Dimensions in millimetres



DT143 les

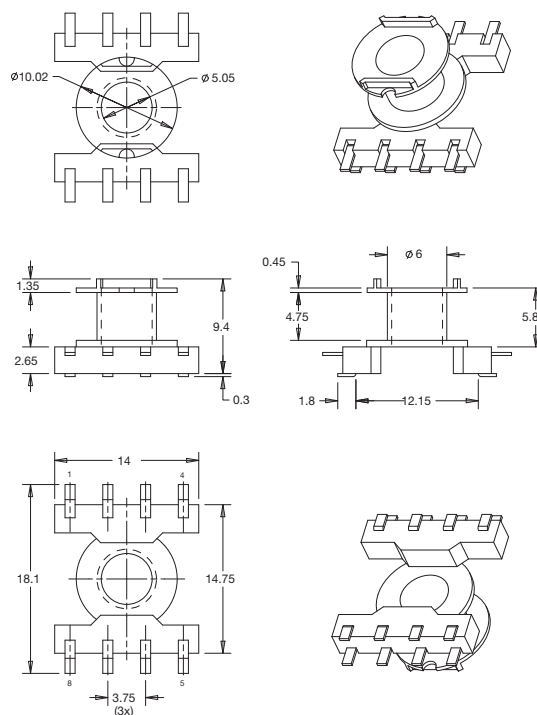
RM 5



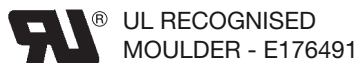
RM05V1S08CS-00

Coil Former	
Coil former material	Phenolformaldehyde (PF), glass reinforced, flame retardant in accordance with "UL 94V-0"; UL file number E41429 (M)
Resistance to soldering heat	"IEC 60068-2-20", Part 2, Test Tb, method 1B, 350 deg. C, 3.5 s
Pin material	0.3 x 1.0 Phosphor bronze - Tin (Sn) plated
Solderability	"IEC 60068-2-20", Part 2, Test Ta, method 1, 235 deg. C, 2 s
Pin pull out force	1.5 Kg Minimum
Part number	RM05V1S08CS-00

Dimensions in millimetres



Most products are available direct from stock with same day despatch - please contact sales for details



Section 6

77

Section 6



RM Ferrite Core Coil Bobbins

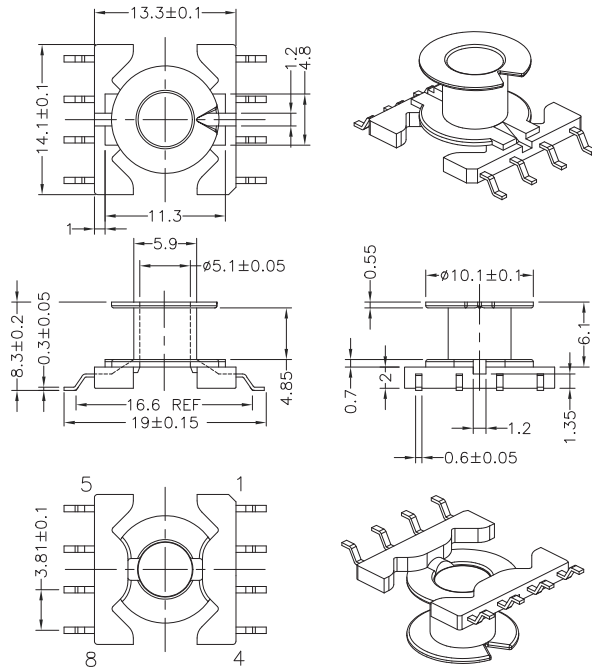
RM 5



RM05V1S08GS-00

Coil Former	
Coil former material	Phenolformaldehyde (PF), glass reinforced, flame retardant in accordance with "UL 94V-0"; UL file number E41429 (M)
Resistance to soldering heat	"IEC 60068-2-20", Part 2, Test Tb, method 1B, 350 deg. C, 3.5 s
Pin material	0.3 x 0.6 Phosphor bronze - Tin (Sn) plated
Solderability	"IEC 60068-2-20", Part 2, Test Ta, method 1, 235 deg. C, 2 s
Pin pull out force	1.5 Kg Minimum
Part number	RM05V1S08GS-00

Dimensions in millimetres



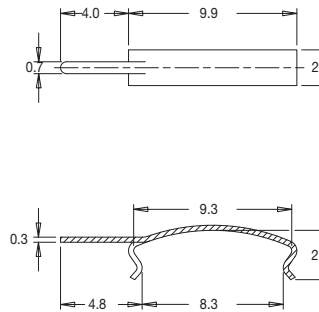
RM 5



RM05CLIPEM-00

Mounting clip with earth pin	
Clip material	Steel
Clip plating	Tin (Sn)
Solderability	"IEC 60 068-2-20", Part 2, Test Ta, method 1
Part number	RM05CLIPEM-00

Dimensions in millimetres



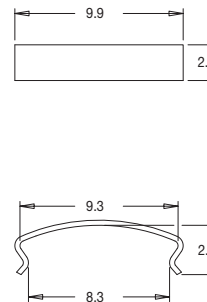
RM 5



RM05CLIPM-01

Mounting clip without earth pin	
Clip material	Steel
Part No.	RM05CLIPM-01

Dimensions in millimetres





RM Ferrite Core Coil Bobbins

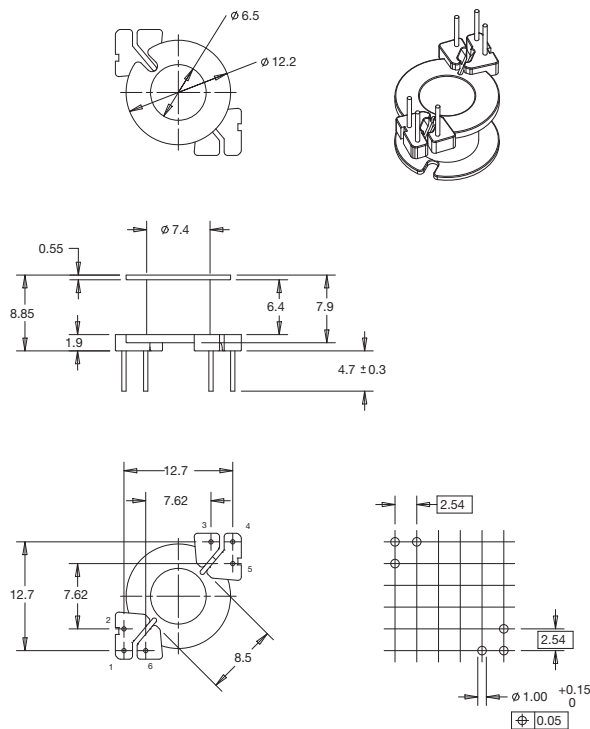
MILES · PLATTS

RM 6



RM06V1S06IS-00

Coil Former	
Coil former material	Phenolformaldehyde (PF), glass reinforced, flame retardant in accordance with "UL 94V-0"; UL file number E41429 (M)
Resistance to soldering heat	"IEC 60068-2-20", Part 2, Test Tb, method 1B, 350 deg. C, 3.5 s
Pin material	0.50 Dia. copper clad steel wire (ASTM.B.227) - Tin (Sn) plated
Solderability	"IEC 60068-2-20", Part 2, Test Ta, method 1, 235 deg. C, 2 s
Pin pull out force	0.7 Kg Minimum
Part number	RM06V1S06IS-00



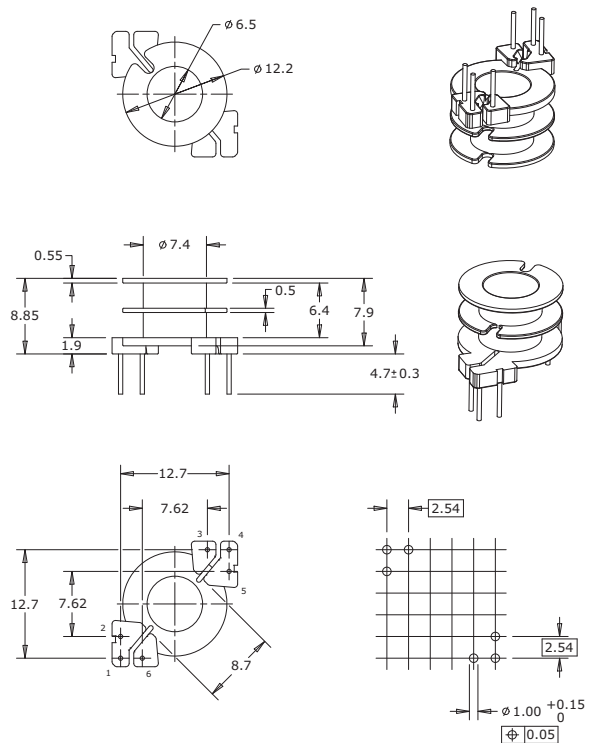
Dimensions in millimetres

RM 6



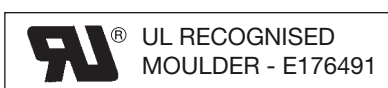
RM06V2S06IS-00

Coil Former	
Coil former material	Phenolformaldehyde (PF), glass reinforced, flame retardant in accordance with "UL 94V-0"; UL file number E41429 (M)
Resistance to soldering heat	"IEC 60068-2-20", Part 2, Test Tb, method 1B, 350 deg. C, 3.5 s
Pin material	0.50 Dia. copper clad steel wire (ASTM.B.227) - Tin (Sn) plated
Solderability	"IEC 60068-2-20", Part 2, Test Ta, method 1, 235 deg. C, 2 s
Pin pull out force	0.7 Kg Minimum
Part number	RM06V2S06IS-00



Dimensions in millimetres

Most products are available direct from stock with same day despatch - please contact sales for details





RM Ferrite Core Coil Bobbins

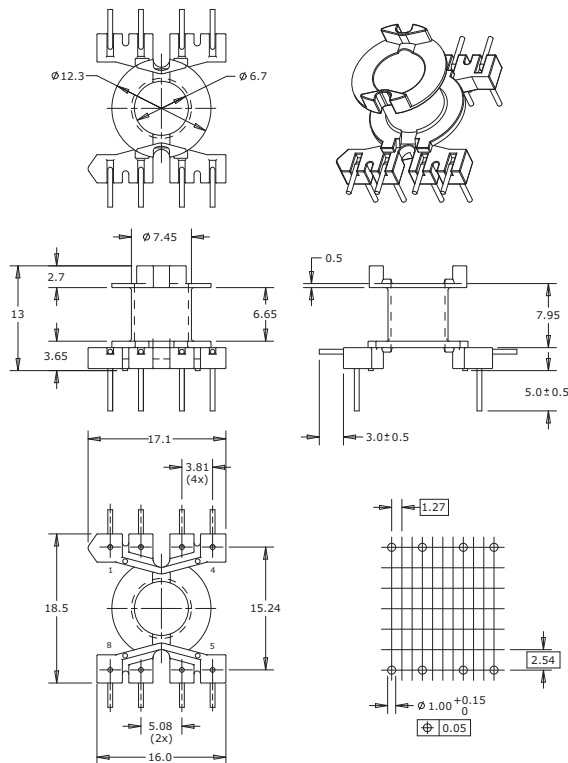
MILES · PLATTS

RM 6



RM06V1S08LP-00

Coil Former	
Coil former material	Polyethylene terephthalate (PET), glass reinforced, flame retardant in accordance with "UL 94V-0"; UL file number E69578 (M)
Resistance to soldering heat	"IEC 60068-2-20", Part 2, Test Tb, method 1B, 350 deg. C, 3.5 s
Pin material	0.60 Dia. copper clad steel wire (ASTM.B.227) - Tin (Sn) plated
Solderability	"IEC 60068-2-20", Part 2, Test Ta, method 1, 235 deg. C, 2 s
Pin pull out force	1.0 Kg Minimum
Part number	RM06V1S08LP-00



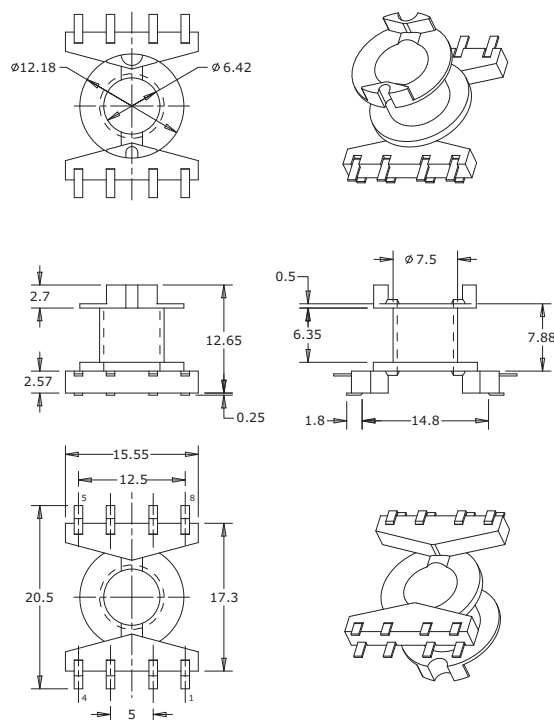
Dimensions in millimetres

RM 6



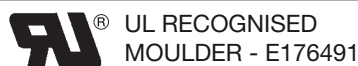
RM06V1S08CS-00

Coil Former	
Coil former material	Phenolformaldehyde (PF), glass reinforced, flame retardant in accordance with "UL 94V-0"; UL file number E41429 (M)
Resistance to soldering heat	"IEC 60068-2-20", Part 2, Test Tb, method 1B, 350 deg. C, 3.5 s
Pin material	0.3 x 1.0 Phosphor bronze - Tin (Sn) plated
Solderability	"IEC 60068-2-20", Part 2, Test Ta, method 1, 235 deg. C, 2 s
Pin pull out force	1.5 Kg Minimum
Part number	RM06V1S08CS-00



Dimensions in millimetres

For further technical information please contact sales
 Tel: +44 (0) 116 264 3850 Fax: +44 (0) 116 264 3851
 Email: enquiries@milesplatts.co.uk
 Web: www.milesplatts.co.uk



Section 6

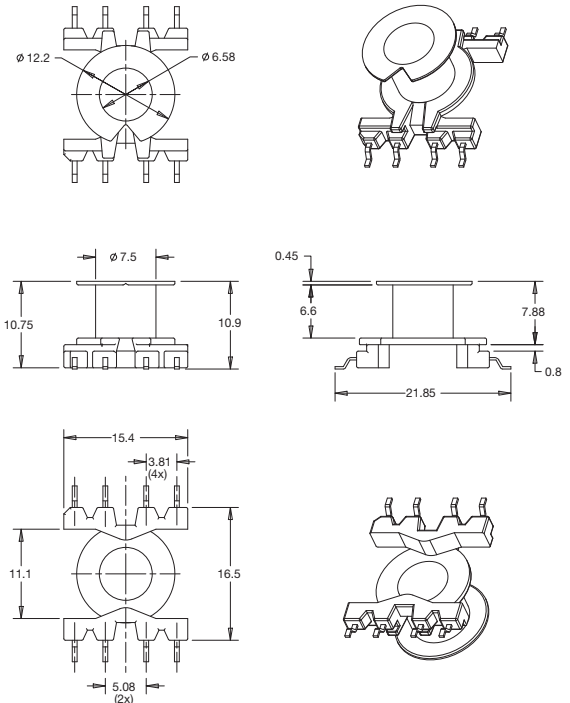
80



RM Ferrite Core Coil Bobbins

MILES · PLATTS

RM 6



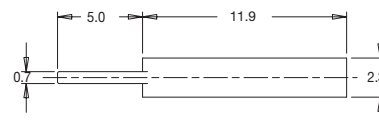
Coil Former	
Coil former material	Phenolformaldehyde (PF), glass reinforced, flame retardant in accordance with "UL 94V-0"; UL file number E41429 (M)
Resistance to soldering heat	"IEC 60068-2-20", Part 2, Test Tb, method 1B, 350 deg. C, 3.5 s
Pin material	0.3 x 0.6 Phosphor bronze - Tin (Sn) plated
Solderability	"IEC 60068-2-20", Part 2, Test Ta, method 1, 235 deg. C, 2 s
Pin pull out force	1.5 Kg Minimum
Part number	RM06V1S08GS-00

Dimensions in millimetres

RM 6

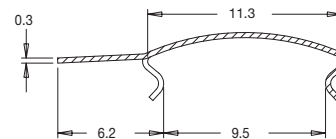


RM06CLIPEM-00



Mounting clip with earth pin	
Clip material	Steel
Clip plating	Tin (Sn)
Solderability	"IEC 60 068-2-20", Part 2, Test Ta, method 1
Part number	RM06CLIPEM-00

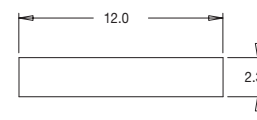
Dimensions in millimetres



RM 6

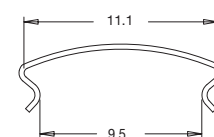


RM06CLIPM-01



Mounting clip without earth pin	
Clip material	Steel
Part No.	RM06CLIPM-01

Dimensions in millimetres



Most products are available direct from stock with same day despatch - please contact sales for details



Section 6

81

Section 6



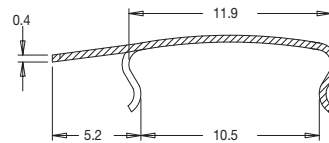
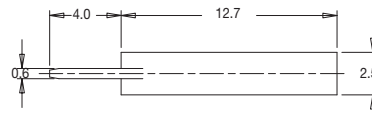
RM Ferrite Core Coil Bobbins

MILES · PLATTS

RM 7



RM07CLIPEM-00



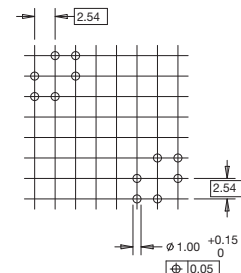
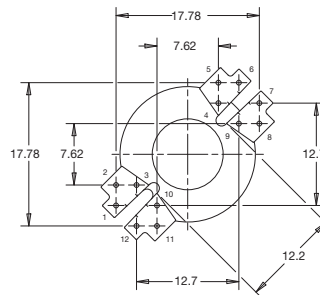
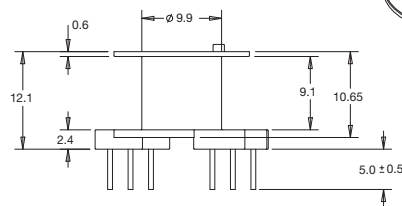
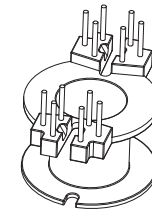
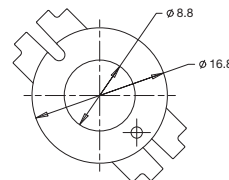
Mounting clip with earth pin	
Clip material	Steel
Clip plating	Tin (Sn)
Solderability	"IEC 60 068-2-20", Part 2, Test Ta, method 1
Part number	RM07CLIPEM-00

Dimensions in millimetres

RM 8



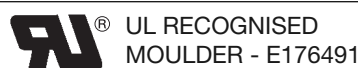
RM08V1S12IS-00



Coil Former	
Coil former material	Phenolformaldehyde (PF), glass reinforced, flame retardant in accordance with "UL 94V-0"; UL file number E41429 (M)
Resistance to soldering heat	"IEC 60068-2-20", Part 2, Test Tb, method 1B, 350 deg. C, 3.5 s
Pin material	0.60 Dia. copper clad steel wire (ASTM.B.227) - Tin (Sn) plated
Solderability	"IEC 60068-2-20", Part 2, Test Ta, method 1, 235 deg. C, 2 s
Pin pull out force	1.0 Kg Minimum
Part number	RM08V1S12IS-00

Dimensions in millimetres

For further technical information please contact sales
 Tel: +44 (0) 116 264 3850 Fax: +44 (0) 116 264 3851
 Email: enquiries@milesplatts.co.uk
 Web: www.milesplatts.co.uk



Section 6

82

Section 6



RM Ferrite Core Coil Bobbins

MILES · PLATTS

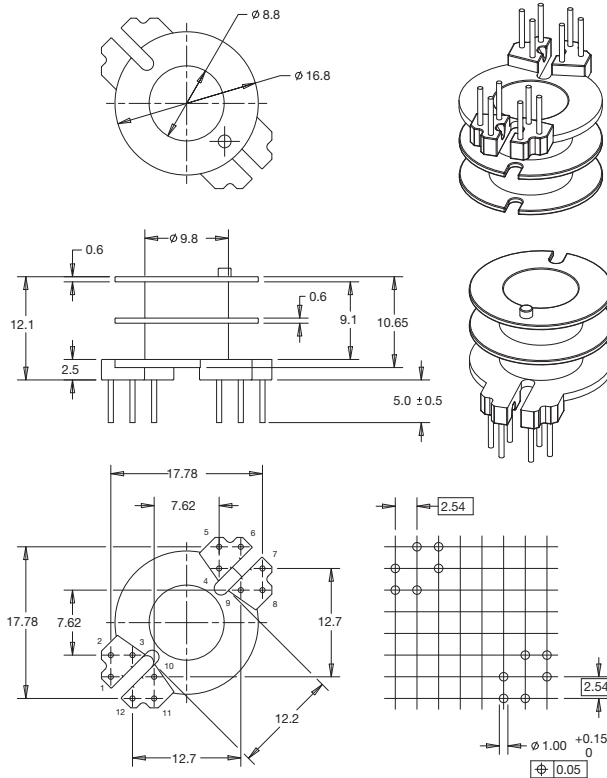
RM 8



RM08V2S12IS-00

Coil Former	
Coil former material	Phenolformaldehyde (PF), glass reinforced, flame retardant in accordance with "UL 94V-0"; UL file number E41429 (M)
Resistance to soldering heat	"IEC 60068-2-20", Part 2, Test Tb, method 1B, 350 deg. C, 3.5 s
Pin material	0.60 Dia. copper clad steel wire (ASTM.B.227) - Tin (Sn) plated
Solderability	"IEC 60068-2-20", Part 2, Test Ta, method 1, 235 deg. C, 2 s
Pin pull out force	1.0 Kg Minimum
Part number	RM08V2S12IS-00

Dimensions in millimetres



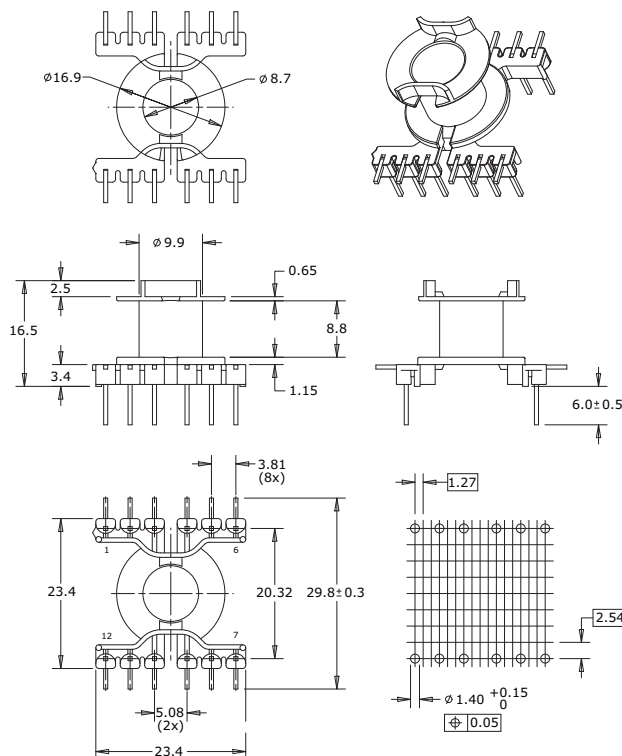
RM 8



RM08V1S12LP-00

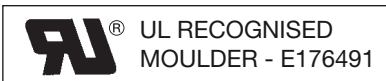
Coil Former	
Coil former material	Polyethylene terephthalate (PET), glass reinforced, flame retardant in accordance with "UL 94V-0"; UL file number E69578 (M)
Resistance to soldering heat	"IEC 60068-2-20", Part 2, Test Tb, method 1B, 350 deg. C, 3.5 s
Pin material	20.64 Sq. copper clad steel wire (ASTM.B.227) - Tin (Sn) plated
Solderability	"IEC 60068-2-20", Part 2, Test Ta, method 1, 235 deg. C, 2 s
Pin pull out force	1.5 kg Minimum
Part number	RM08V1S12LP-00

Dimensions in millimetres



Section 6

Most products are available direct from stock with same day despatch - please contact sales for details





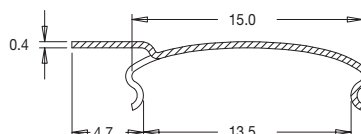
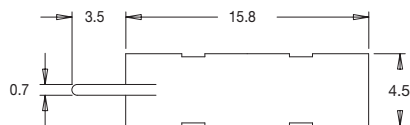
RM Ferrite Core Coil Bobbins

MILES · PLATTS

RM 8



RM08CLIPEM-00



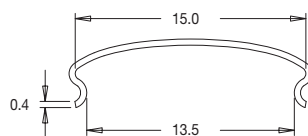
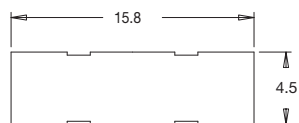
Mounting clip with earth pin	
Clip material	Steel
Clip plating	Tin (Sn)
Solderability	"IEC 60 068-2 20,Part 2,Test Ta,method 1
Pin pull out force	1.5 Kg Minimum
Part number	RM08CLIPEM-00

Dimensions in millimetres

RM 8



RM08CLIPM-01



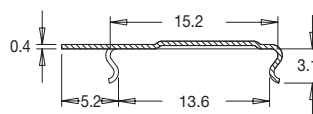
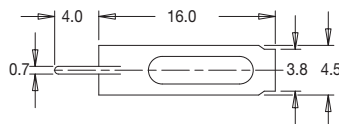
Mounting clip without earth pin	
Clip material	Steel
Part No.	RM08CLIPM-01

Dimensions in millimetres

RM 8



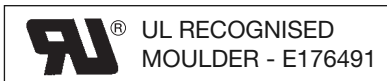
RM08CLIPEM-02



Mounting clip with earth pin: high clamping force	
Clip material	Steel
Clip plating	Tin (Sn)
Solderability	"IEC 60 068-2-20",Part 2, Test Ta, method 1
Part number	RM08CLIPEM-02

Dimensions in millimetres

For further technical information please contact sales
 Tel: +44 (0) 116 264 3850 Fax: +44 (0) 116 264 3851
 Email: enquiries@milesplatts.co.uk
 Web: www.milesplatts.co.uk





RM Ferrite Core Coil Bobbins

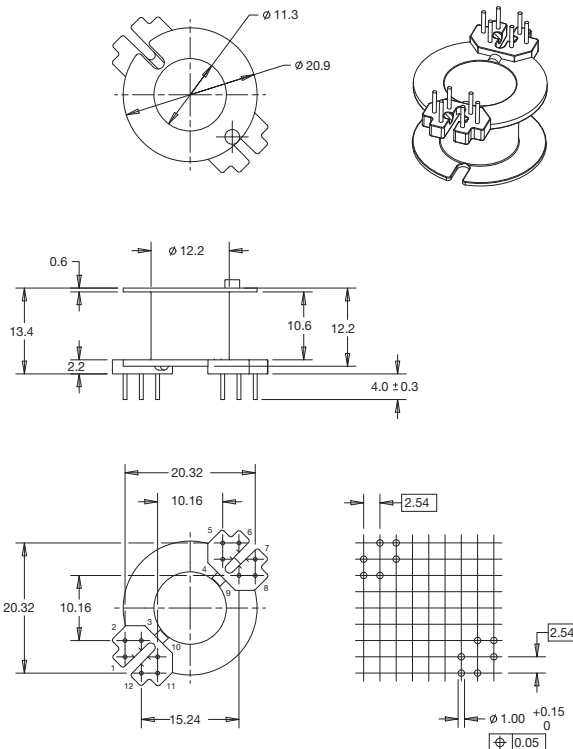
MILES · PLATTS

RM 10



RM10V1S12IS-00

Coil Former	
Coil former material	Phenolformaldehyde (PF), glass reinforced, flame retardant in accordance with "UL 94V-0"; UL file number E41429 (M)
Resistance to soldering heat	"IEC 60068-2-20", Part 2, Test Tb, method 1B, 350 deg. C, 3.5 s
Pin material	0.60 Dia. copper clad steel wire (ASTM.B.227) - Tin (Sn) plated
Solderability	"IEC 60068-2-20", Part 2, Test Ta, method 1, 235 deg. C, 2 s
Pin pull out force	1.5 Kg Minimum
Part number	RM10V1S12IS-00



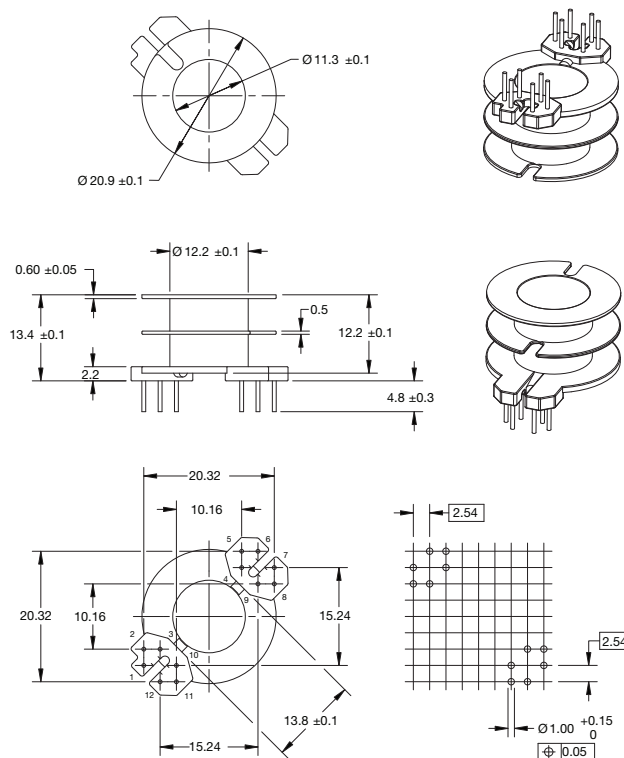
Dimensions in millimetres

RM 10



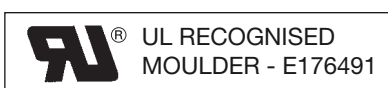
RM10V2S12IS-00

Coil Former	
Coil former material	Phenolformaldehyde (PF), glass reinforced, flame retardant in accordance with "UL 94V-0"; UL file number E41429 (M)
Resistance to soldering heat	"IEC 60068-2-20", Part 2, Test Tb, method 1B, 350 deg. C, 3.5 s
Pin material	0.60 Dia. copper clad steel wire (ASTM.B.227) - Tin (Sn) plated
Solderability	"IEC 60068-2-20", Part 2, Test Ta, method 1, 235 deg. C, 2 s
Pin pull out force	1.5 Kg Minimum
Part number	RM10V2S12IS-00



Dimensions in millimetres

Most products are available direct from stock with same day despatch - please contact sales for details





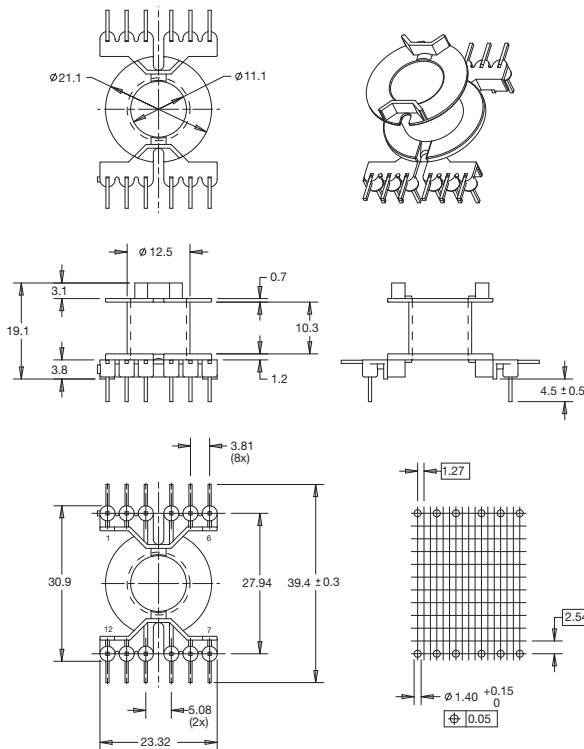
RM Ferrite Core Coil Bobbins

MILES · PLATTS

RM 10



RM10V1S12LP-00



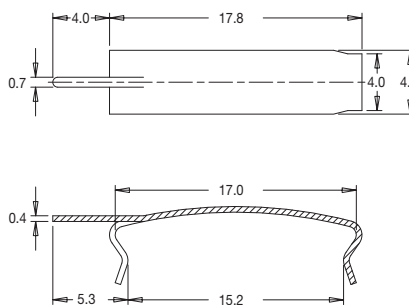
Coil Former	
Coil former material	Polyethylene terephthalate (PET), glass reinforced, flame retardant in accordance with "UL 94V-0"; UL file number E69578 (M)
Resistance to soldering heat	"IEC 60068-2-20", Part 2, Test Tb, method 1B, 350 deg. C, 3.5 s
Pin material	0.64 Sq. copper clad steel wire (ASTM.B.227) - Tin (Sn) plated
Solderability	"IEC 60068-2-20", Part 2, Test Ta, method 1, 235 deg. C, 2 s
Pin pull out force	1.5 Kg Minimum
Part number	RM10V1S12LP-00

Dimensions in millimetres

RM 10



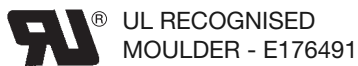
RM10CLIPEM-00



Mounting clip with earth pin	
Clip material	Steel
Clip plating	Tin (Sn)
Solderability	"IEC 60 068-2-20", Part 2, Test Ta, method 1
Part number	RM10CLIPEM-00

Dimensions in millimetres

For further technical information please contact sales
 Tel: +44 (0) 116 264 3850 Fax: +44 (0) 116 264 3851
 Email: enquiries@milesplatts.co.uk
 Web: www.milesplatts.co.uk



Section 6

86



RM Ferrite Core Coil Bobbins

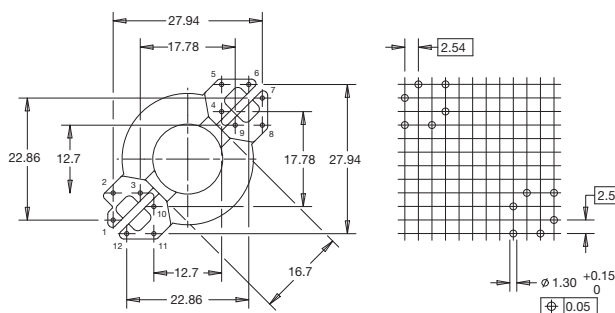
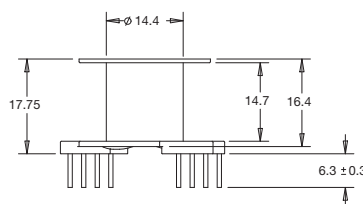
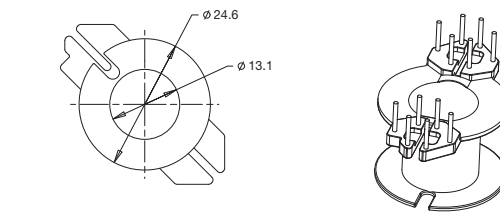
MILES · PLATTS

RM 12



RM12V1S12IS-00

Coil Former	
Coil former material	Phenolformaldehyde (PF), glass reinforced, flame retardant in accordance with "UL 94V-0"; UL file number E41429 (M)
Resistance to soldering heat	"IEC 60068-2-20", Part 2, Test Tb, method 1B, 350 deg. C, 3.5 s
Pin material	0.80 Dia. copper clad steel wire (ASTM.B.227) - Tin (Sn) plated
Solderability	"IEC 60068-2-20", Part 2, Test Ta, method 1, 235 deg. C, 2 s
Pin pull out force	1.0 Kg Minimum
Part number	RM12V1S12IS-00



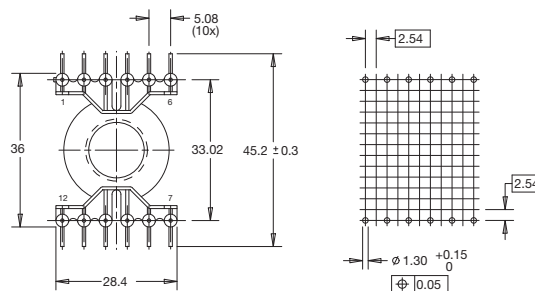
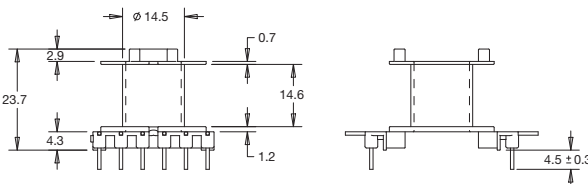
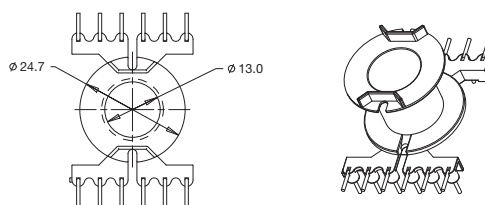
Dimensions in millimetres

RM 12



RM12V1S12LP-00

Coil Former	
Coil former material	Polyethylene terephthalate (PET), glass reinforced, flame retardant in accordance with "UL 94V-0"; UL file number E69578 (M)
Resistance to soldering heat	"IEC 60068-2-20", Part 2, Test Tb, method 1B, 350 deg. C, 3.5 s
Pin material	0.80 Dia. copper clad steel wire (ASTM.B.227) - Tin (Sn) plated
Solderability	"IEC 60068-2-20", Part 2, Test Ta, method 1, 235 deg. C, 2 s
Pin pull out force	1.5 Kg Minimum
Part number	RM12V1S12LP-00



Dimensions in millimetres

Miles Platts terminals & wire pins are lead-free - all polymers meet the REACH and RoHS directive (2002/95/EC). Please refer to www.milesplatts.co.uk for details.





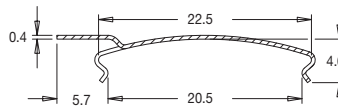
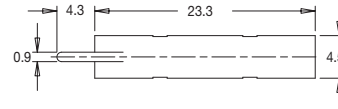
RM Ferrite Core Coil Bobbins

MILES · PLATTS

RM 12



RM12CLIPEM-00



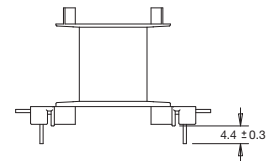
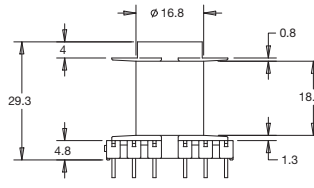
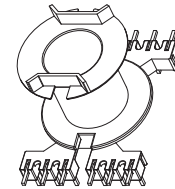
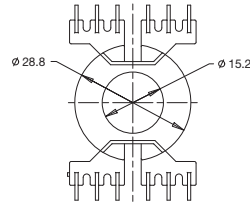
Mounting clip with earth pin	
Clip material	Steel
Clip plating	Tin (Sn)
Solderability	"IEC 60 068-2-20", Part 2, Test Ta, method 1
Part number	RM12CLIPEM-00

Dimensions in millimetres

RM 14

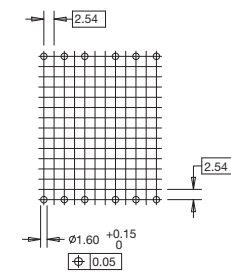
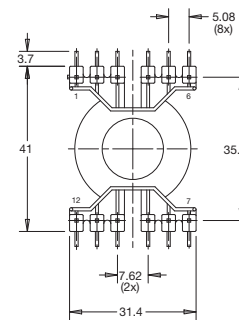


RM14V1S12LP-00



Coil Former	
Coil former material	Polyethylene terephthalate (PET), glass reinforced, flame retardant in accordance with "UL 94V-0"; UL file number E69578 (M)
Resistance to soldering heat	"IEC 60068-2-20", Part 2, Test Tb, method 1B, 350 deg. C, 3.5 s
Pin material	0.80 Sq. copper clad steel wire (ASTM.B.227) - Tin (Sn) plated
Solderability	"IEC 60068-2-20", Part 2, Test Ta, method 1, 235 deg. C, 2 s
Pin pull out force	1.5 Kg Minimum
Part number	RM14V1S12LP-00

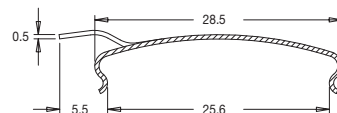
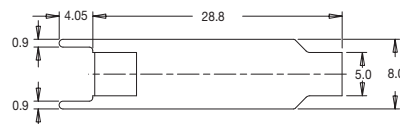
Dimensions in millimetres



RM 14



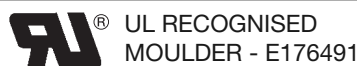
RM14CLIPEM-00



Mounting clip with earth pin	
Clip material	Steel
Clip plating	Tin (Sn)
Solderability	"IEC 60 068-2-20", Part 2, Test Ta, method 1
Part number	RM14CLIPEM-00

Dimensions in millimetres

For further technical information please contact sales
Tel: +44 (0) 116 264 3850 Fax: +44 (0) 116 264 3851
Email: enquiries@milesplatts.co.uk
Web: www.milesplatts.co.uk



Section 6

88

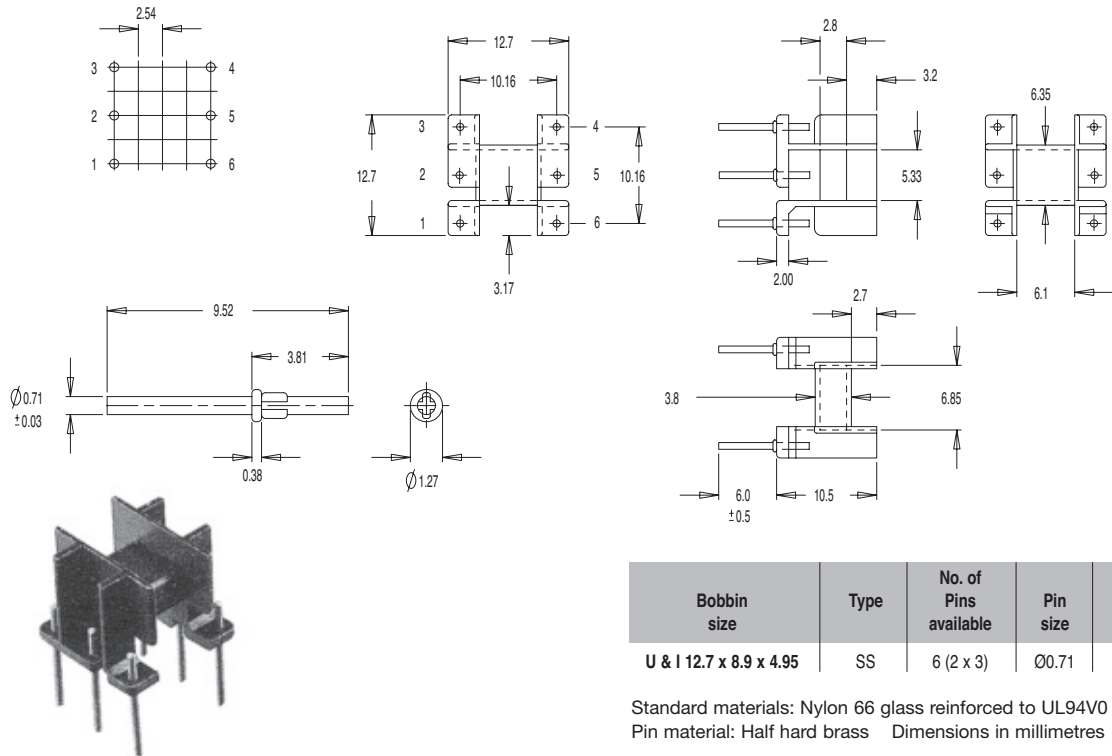
Section 6



U Ferrite Core Coil Bobbins

MILES · PLATTS

U & I 12.7 X 8.9 X 4.95 (PTB 1)

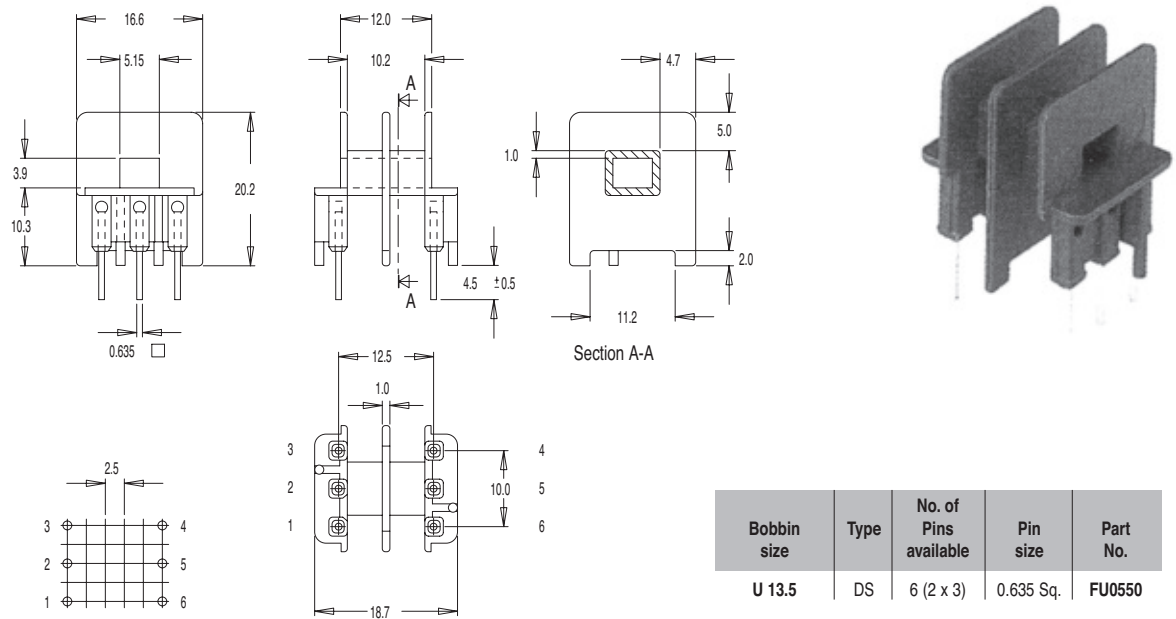


Bobbin size	Type	No. of Pins available	Pin size	Part No.
U & I 12.7 x 8.9 x 4.95	SS	6 (2 x 3)	Ø0.71	FU0500

Standard materials: Nylon 66 glass reinforced to UL94V0
Pin material: Half hard brass Dimensions in millimetres

Section 6

U 13.5



Bobbin size	Type	No. of Pins available	Pin size	Part No.
U 13.5	DS	6 (2 x 3)	0.635 Sq.	FU0550

Standard materials: Nylon 66 glass reinforced to UL94V0
Pin material: Phosphor Bronze Dimensions in millimetres

Miles Platts terminals & wire pins are lead-free - all polymers meet the REACH and RoHS directive (2002/95/EC). Please refer to www.milesplatts.co.uk for details.

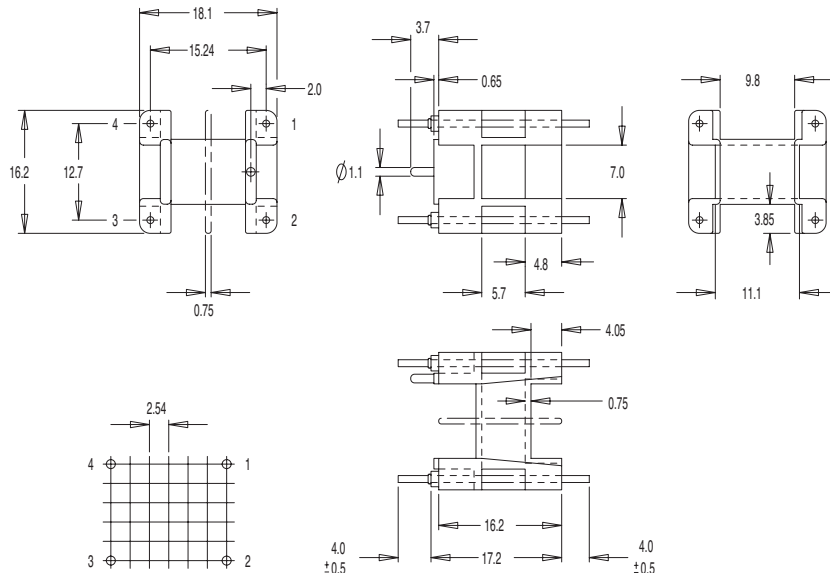
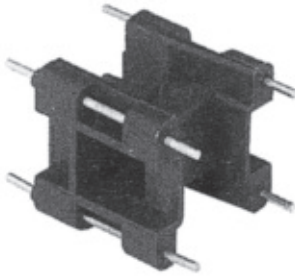




U Ferrite Core Coil Bobbins

MILES · PLATTS

U 15/11/6

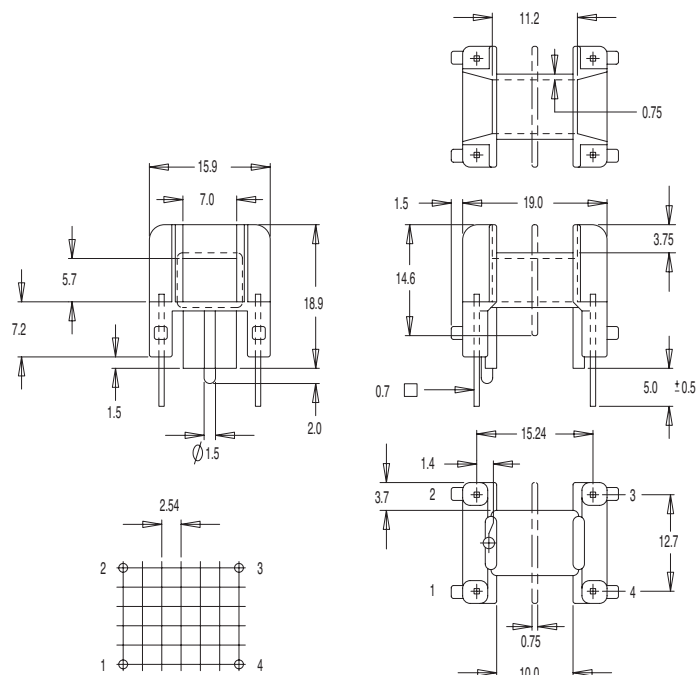
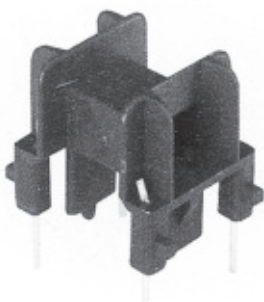


Bobbin size	Type	No. of Pins available	Pin size	Part No.
U 15/11/6	SS	4 (2 x 2)	Ø0.91	FU0620
U 15/11/6	DS	4 (2 x 2)	Ø0.91	FU0621

Standard materials: Nylon 66 glass reinforced to UL94V0
 Pin material: Half Hard Brass Dimensions in millimetres

Pin: TBS 036-990-170

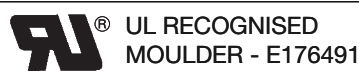
U 15/11/6 LOW PROFILE



Bobbin size	Type	No. of Pins available	Pin size	Part No.
U 15/11/6	SS	4 (2 x 2)	0.635 Sq.	FU0600
U 15/11/6	DS	4 (2 x 2)	0.635 Sq.	FU0601

Standard materials: Nylon 66 glass reinforced to UL94V0 Pin material: Phosphor Bronze Dimensions in millimetres

For further technical information please contact sales
 Tel: +44 (0) 116 264 3850 Fax: +44 (0) 116 264 3851
 Email: enquiries@milesplatts.co.uk
 Web: www.milesplatts.co.uk

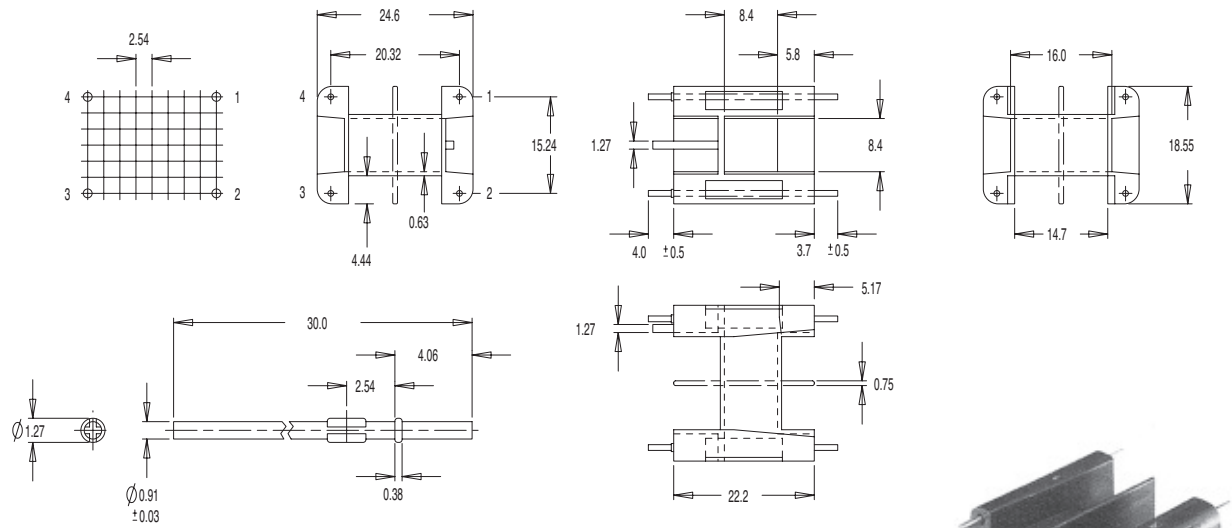




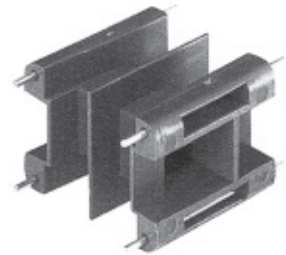
U Ferrite Core Coil Bobbins

MILES · PLATTS

U 21/15/7.5



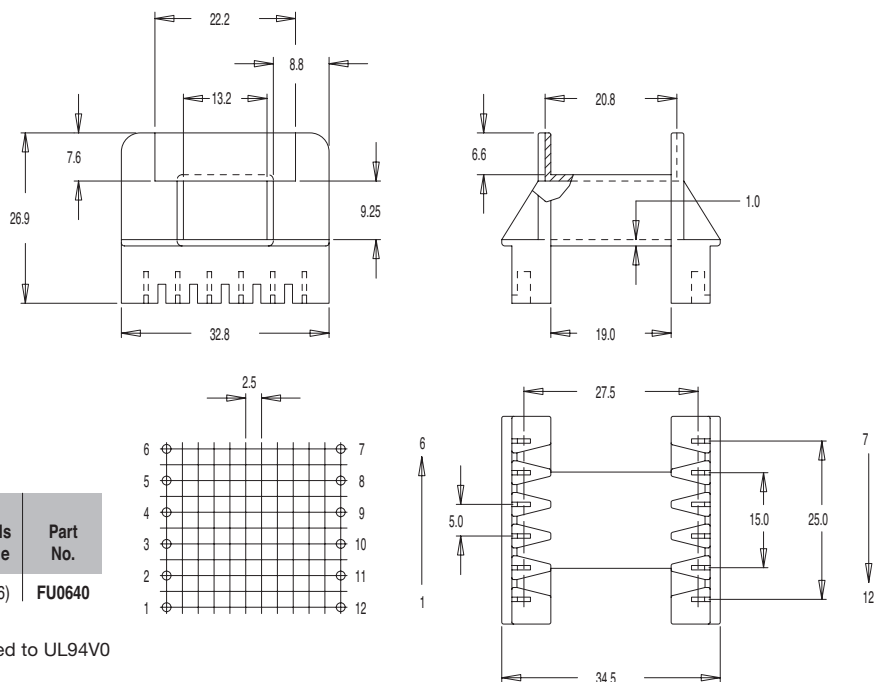
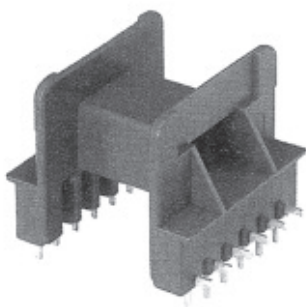
Pin: TBS 036-1180-160



Bobbin size	Type	No. of Pins available	Pin size	Part No.
U 21/15/7.5	SS	4 (2 x 2)	Ø0.91	FU0630
U 21/15/7.5	DS	4 (2 x 2)	Ø0.91	FU0631

Standard materials: Nylon 66 glass reinforced to UL94V0
Pin material: Half hard brass Dimensions in millimetres

U 25/20/13 HORIZONTAL

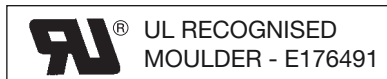


Bobbin size	Type	Terminal type	No. of terminals available	Part No.
U 20/20/13	SS	TBS 600 series	12 (2 x 6)	FU0640

Standard materials: Nylon 66 glass reinforced to UL94V0
Dimensions in millimetres

Section 6

Miles-Platts are technical moulders - we manufacture more than bobbins - please contact sales for details



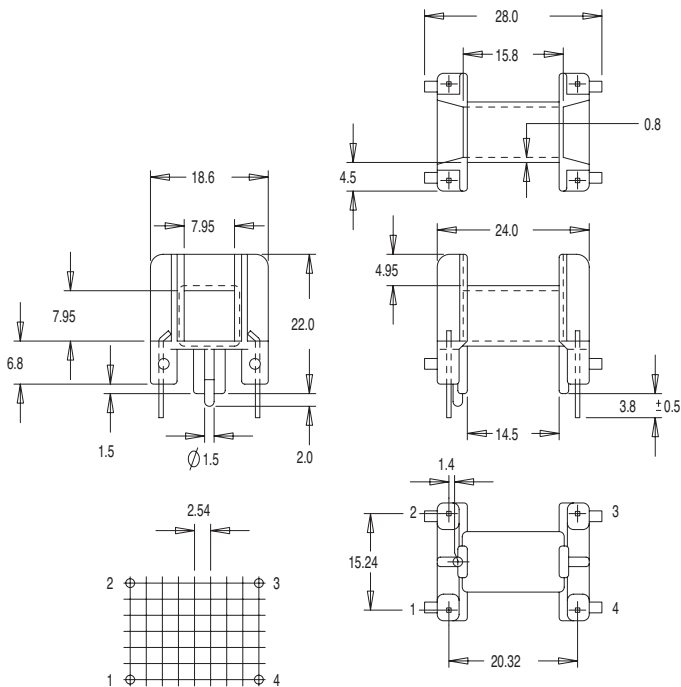
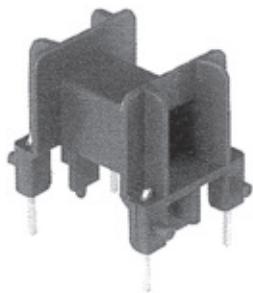
Section 6

91



U Ferrite Core Coil Bobbins

U 20/16/7

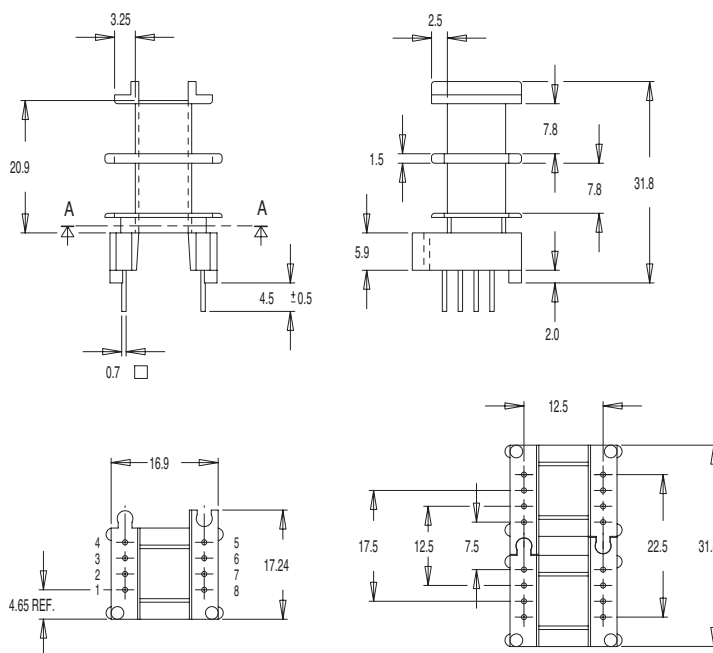
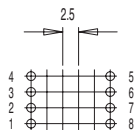
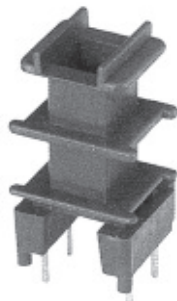
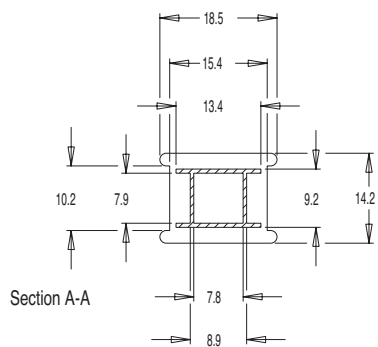


Bobbin size	Type	No. of Pins available	Pin size	Part No.
U 20/16/7	SS	4 (2 x 2)	0.635 Sq.	FU0625

Standard materials: Nylon 66 glass reinforced to UL94V0
 Pin material: Phosphor Bronze Dimensions in millimetres

U 25/19/7 VERTICAL

Section 6



Bobbin size	Type	No. of Pins available	Pin size	Part No.
U 25/19/7	DS	16 (2 x 8) (2 bobbins)	0.7 Sq.	FU0650

Standard materials: Nylon 66 glass reinforced to UL94V0 Pin material: Phosphor Bronze Dimensions in millimetres