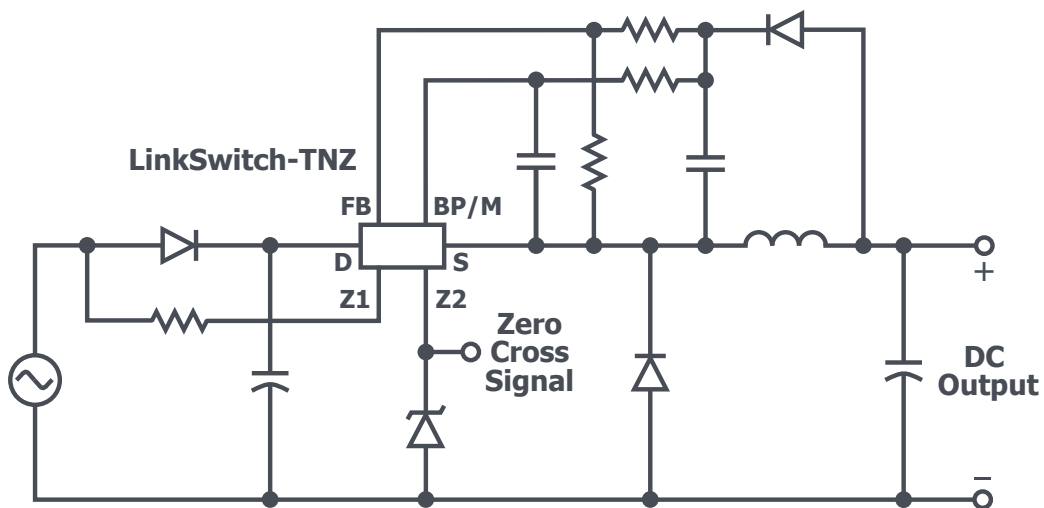


LinkSwitch™-TNZ

- Integrated 725 V MOSFET
- Lossless zero-cross signal generation
- Enables <math><150\mu\text{A}</math> leakage to minimize lamp flicker
- X-cap discharge function (LNK331x only)
- Supports buck, flyback and buck boost
- Power out – 575 mA buck, 12 W flyback

Energy Efficient Off-line Switcher IC with Lossless AC Zero-Cross Signal & X-Capacitor Discharge



PI-9175-060820

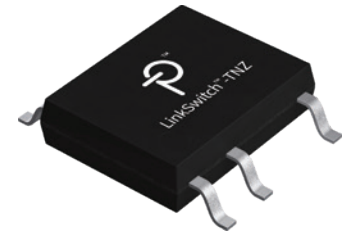
Applications

- Home and building automation
- Dimmers, switches and sensors with and without Neutral wire
- Home appliances
- IoT and industrial controls

Output Power

Product	Output Current in Buck			
	230 VAC $\pm 15\%$		85-265 VAC	
	MDCM	CCM	MDCM	CCM
LNK33x2D	63 mA	80 mA	63 mA	80 mA
LNK33x4D	120 mA	170 mA	120 mA	170 mA
LNK33x6D	225 mA	360 mA	225 mA	360 mA
LNK33x7D	360 mA	575 mA	360 mA	575 mA

MDCM: Maximum Discontinuous Conduction Mode
CCM: Continuous Conduction Mode



Package SO-8C

Product	Output Power in Flyback	
	230 VAC $\pm 15\%$	
	MDCM	CCM
LNK33x2D	5 W	3 W
LNK33x4D	10 W	6 W
LNK33x6/7D	18 W	12 W

Design Support

Data Sheet	LinkSwitch-TNZ data sheet (www.power.com/linkswitch-tnz-data-sheet)
Reference Design	0.48 W Non-Isolated Power Supply with Lossless AC Zero-Crossing Detection Using LNK3302D (DER-874) (www.power.com/der-874)
Reference Design	6 W Isolated Flyback Power Supply with Lossless Generation of AC Zero Cross Signal Using LNK3306D (RDR-877) (www.power.com/rdr-877)
Reference Design	2.5 W Universal Input, Non-Isolated Buck Converter with Zero Crossing Detection Using LNK3307D (RDR-866) (www.power.com/rdr-866)
Reference Design	10 W Isolated Power Supply with Lossless Generation of AC Zero Crossing Signal and X Capacitor Discharge Using LNK3317D (DER-879) (www.power.com/der-879)