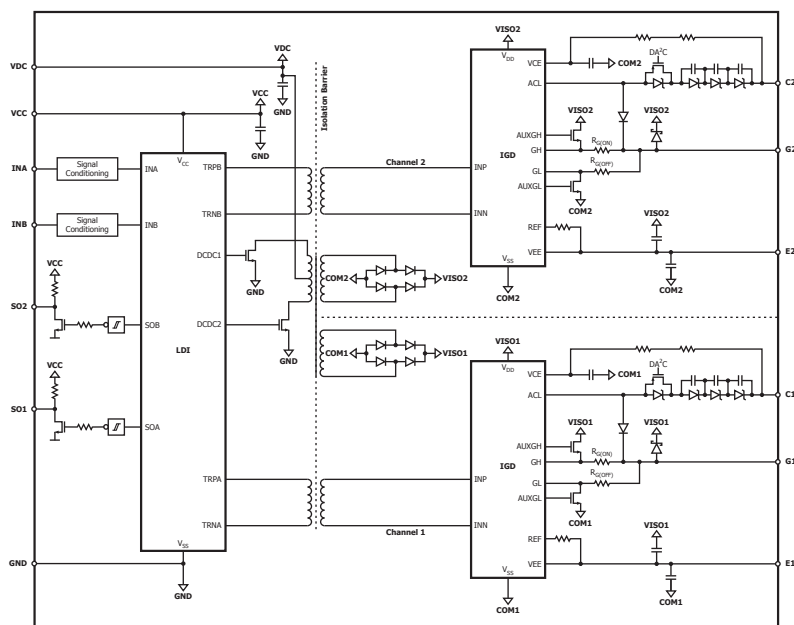


SCALE™ -2 Plug-and-Play IGBT Gate Driver 2SP0430

- Supports two-level and three-level converter topologies
- For power modules with blocking voltages up to 1700 V
- Overvoltage protection by Dynamic Advanced Active Clamping
- IGBT short-circuit protection
- Built in, isolated DC-DC converter
- In-line conformal coating

Dual-Channel Plug-and-Play Gate Driver for 1200 V and 1700 V PrimePACK™ 3+ IGBT Modules with Electrical or Fiberoptic Interfaces



Applications

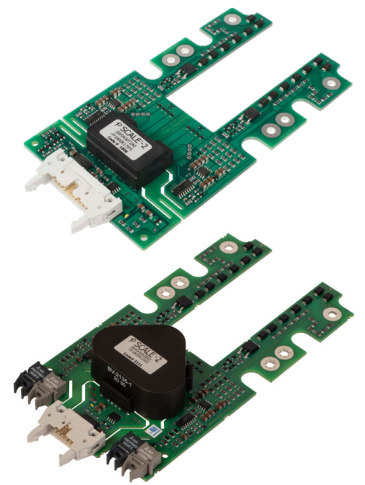
- Wind power inverters
- Photovoltaic inverters
- Uninterruptible power supplies
- Industrial motor drives
- Railway main and auxiliary inverters

Certifications

- Reinforced isolation according to IEC 60664-1
- UL compliant

Product Details

Parameter	Min	Typical	Max	Unit
Nominal supply voltage		15		V
Supply current, full load			480	mA
Output power per channel			2	W
Peak output current (gate current)	-30		30	A
Switching frequency f_{sw}		10		kHz
Creepage distance primary-secondary	30			mm
Clearance distance primary-secondary	12.6			mm
Dielectric test voltage A-Type	5000			V_{RMS}
Dielectric test voltage B-Type	9100			V_{RMS}
Partial discharge extinction voltage A-Type	1768			V_{PEAK}
Partial discharge extinction voltage B-Type	3100			V_{PEAK}
Operating temperature	-40		85	°C



1 Maximum switching frequency depends on the IGBT gate charge. See data sheet for actual value of specific driver.

Design Support

Available Products 2SP0430 products list (www.power.com/2SP0430)